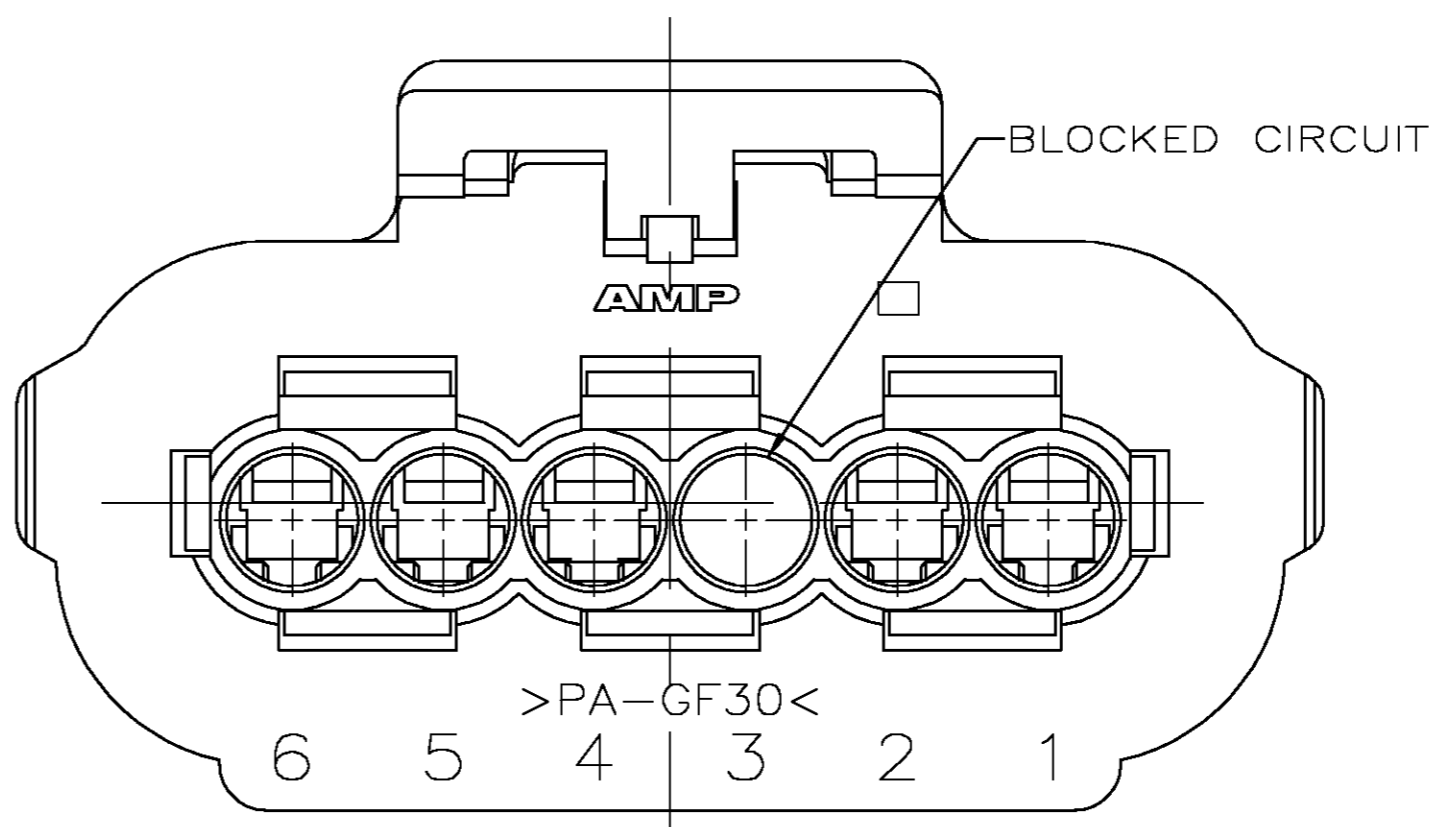
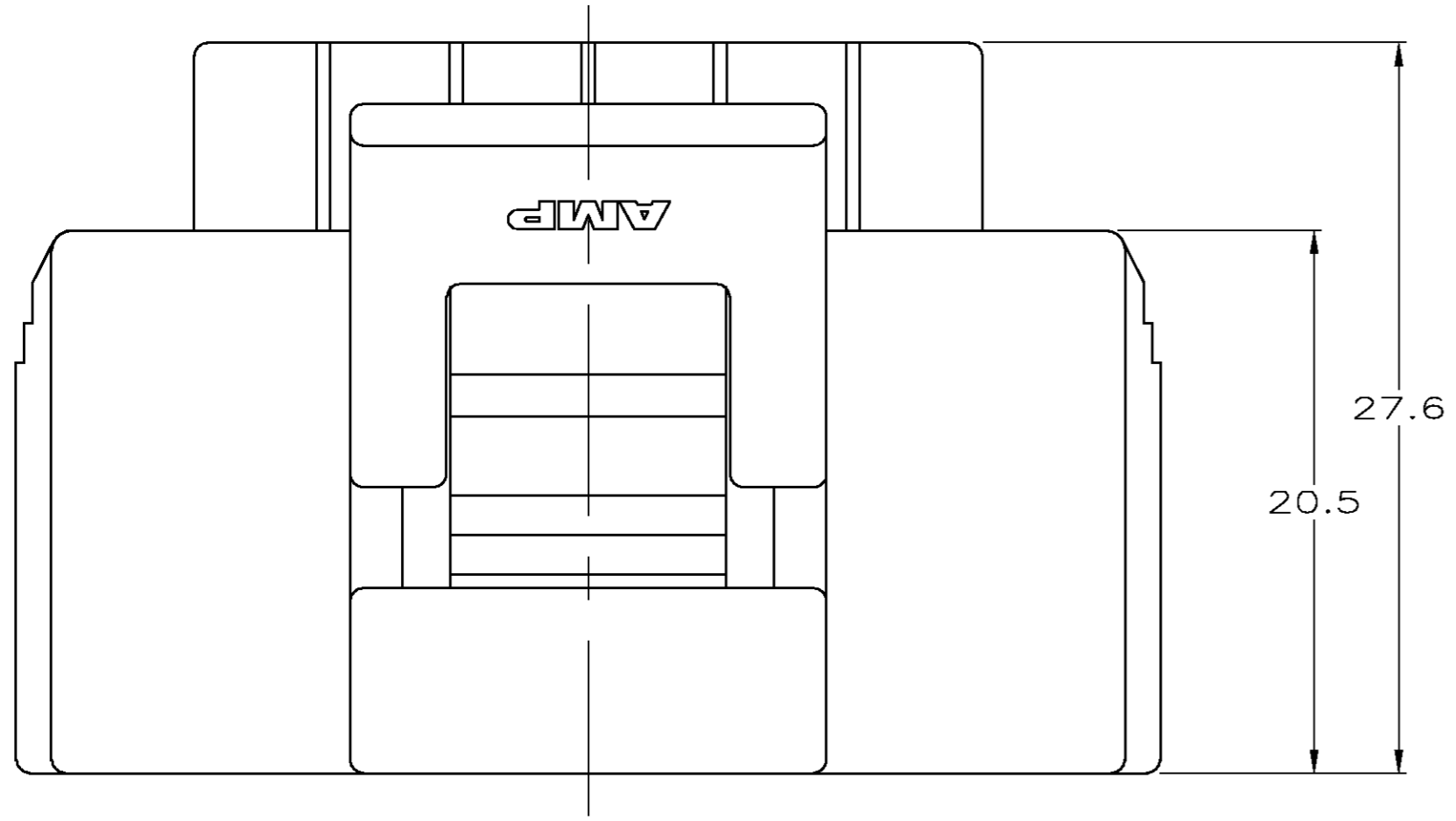


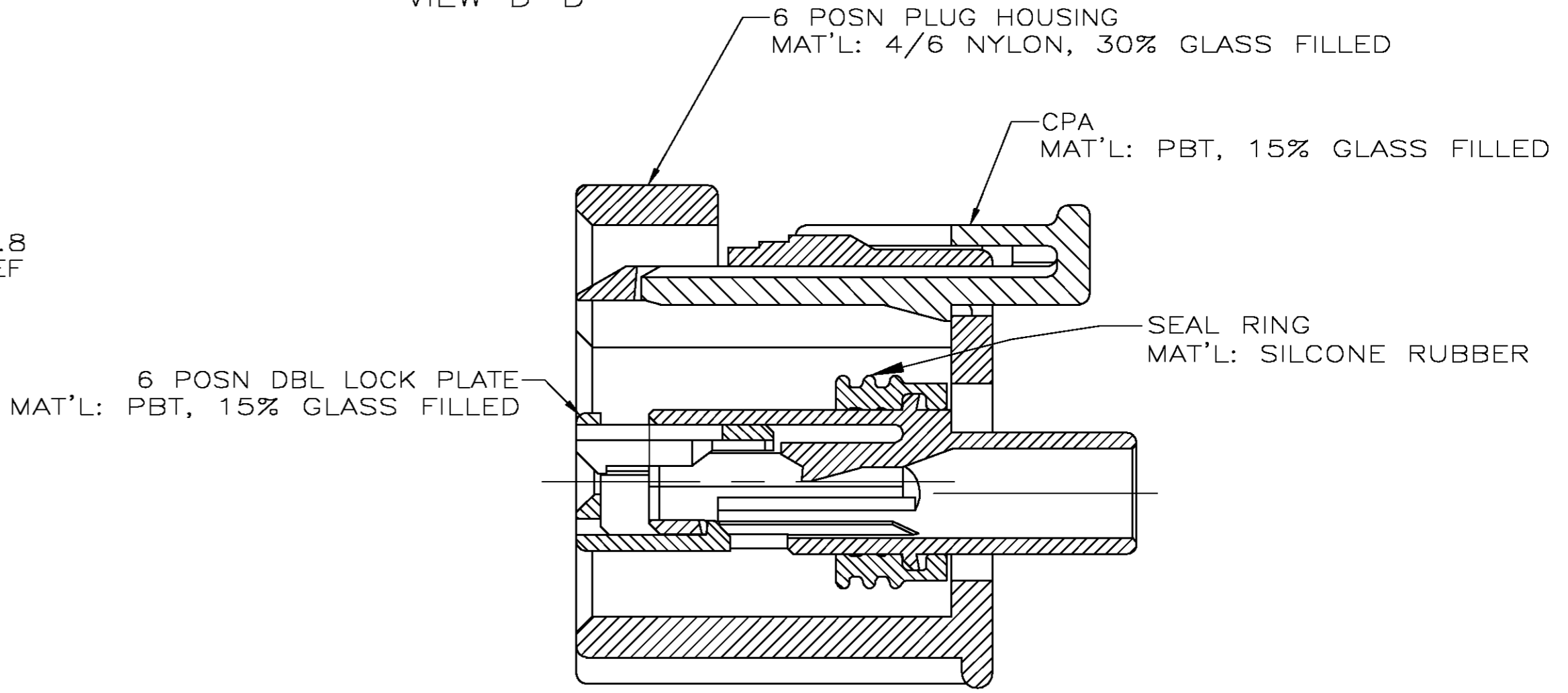
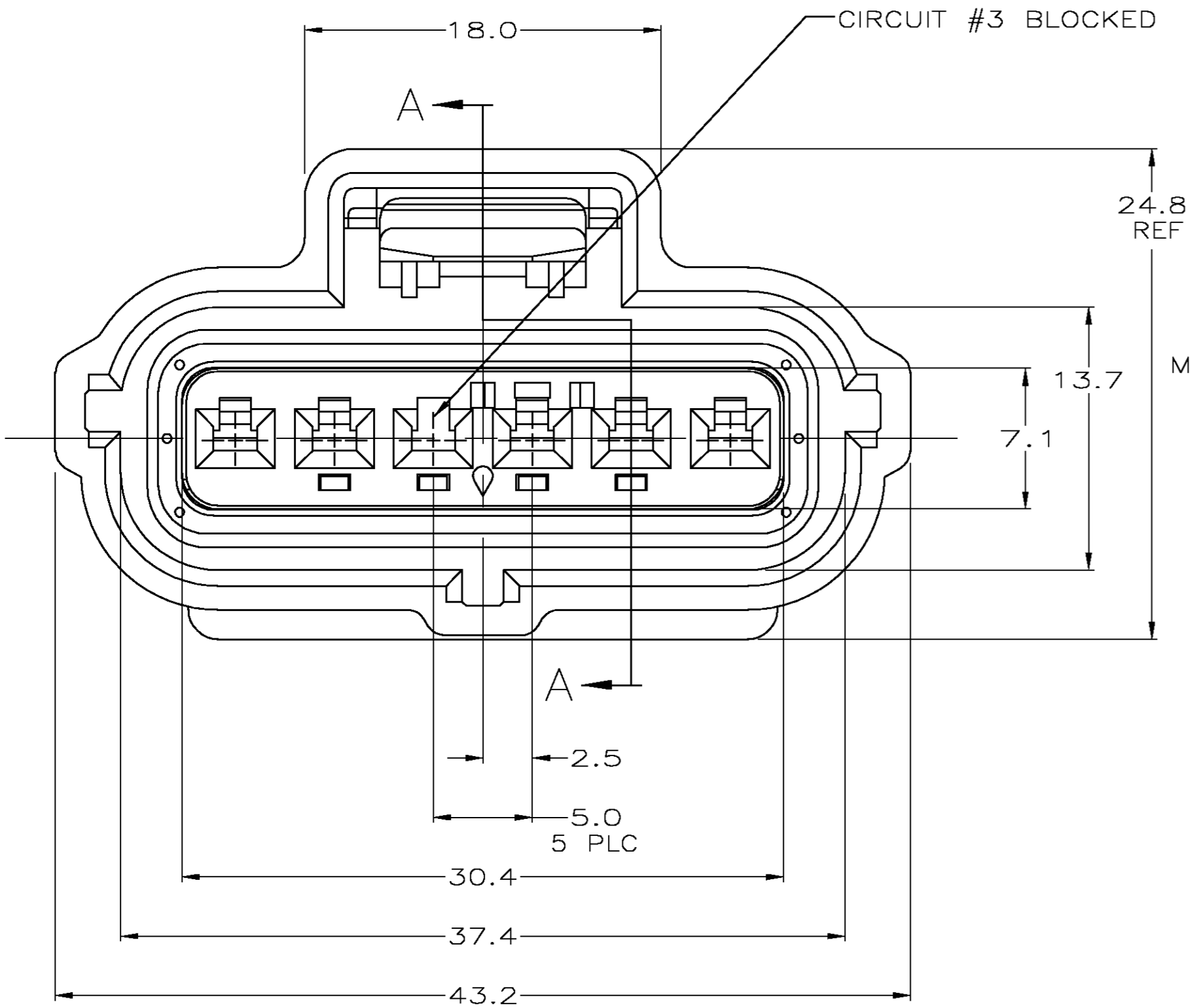
THIS DRAWING IS UNPUBLISHED. RELEASED FOR PUBLICATION
 © COPYRIGHT BY TYCO ELECTRONICS CORPORATION. ALL RIGHTS RESERVED.

LOC		DIST		REVISIONS			
GE	00	P	LTR	DESCRIPTION	DATE	DWN	APVD
		E		EC 0K40-0177-04	12AUG04	JRB	KLC



NOTES:
 1. CIRCUIT NO. 3 BLOCKED

VIEW B-B



SECTION A-A

184341-1
 PART NO.

THIS DRAWING IS A CONTROLLED DOCUMENT.		DWN	KD LYTLE	22SEP99	 Tyco Electronics Corporation Harrisburg, Pa 17105-3608
DIMENSIONS: mm		CHK	M HUDDLESTON	22SEP99	
TOLERANCES UNLESS OTHERWISE SPECIFIED:		APVD	M HUDDLESTON	22SEP99	
0 PLC ± - 1 PLC ± - 2 PLC ± 0.30 3 PLC ± - 4 PLC ± - ANGLES ± ° FINISH -		PRODUCT SPEC	NAME		
MATERIAL		APPLICATION SPEC	1 X 6B PLG ASY KEY A-C3 W/CPA		RESTRICTED TO
		WEIGHT	A2 00779 C=184341		
		CUSTOMER DRAWING	SCALE	4:1	SHEET 1 OF 1 REV E

Mouser Electronics

Authorized Distributor

Click to View Pricing, Inventory, Delivery & Lifecycle Information:

[TE Connectivity:](#)

[184341-1](#)