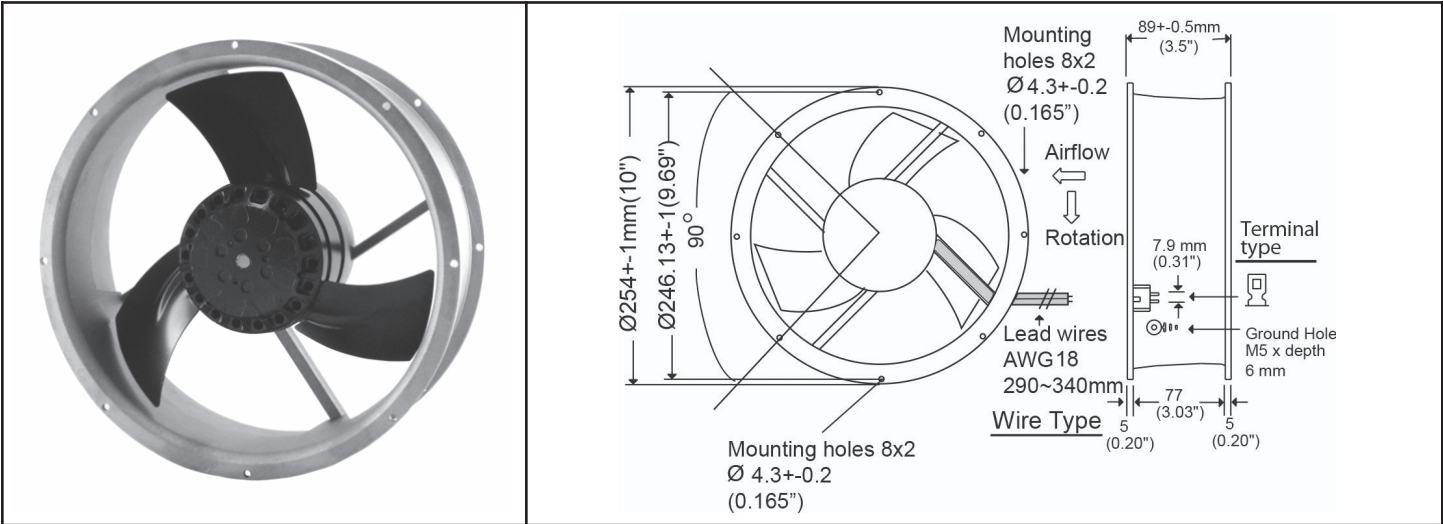


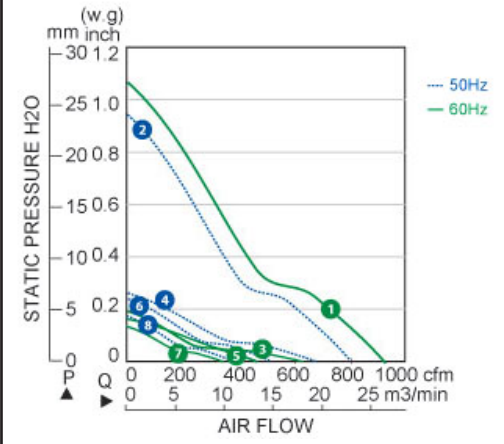
# OA2543 Series - All Metal



AC Fan - 115V, 230V  
254 x 89mm (10.0" x 3.5")



<b>Frame</b>	Diecast Aluminum	<b>Operating Temperature</b> Ball Bearing -30C ~ +80C (non-condensing) Storage Temp -40C ~ +100C
<b>Impeller</b>	Metal Alloy	
<b>Connection</b>	2x Lead Wires 18 AWG or terminals	<b>Life Expectancy</b> Ball Bearing 50,000 hours (L10 at 55C) Environmental Protection IP56
<b>Motor</b>	AC Capacitor Induction, thermally protected	
<b>Bearing System</b>	Dual ball bearing	Weight: ~ 4.7 lbs
<b>Insulation Resistance</b>	>100M ohm between lead-wire and frame (500VDC)	
<b>Dielectric Strength</b>	1 min at 1500 VAC, 50/60Hz	



Model Number	Speed (RPM)	Airflow (CFM)	Noise (dB)	Volts AC	Voltage Range	Watts	Max. Static Pressure ("H <sub>2</sub> O)	Curves
OA2543AN-11-1 * 1856	2800 3300	800 930	67	115	100~120	95 105	0.96 1.07	2 (50Hz) 1 (60Hz)
OA2543AN-11-2 * 1856	2300 2250	670 615	56	115	100~120	80 95	0.25 0.20	4 (50Hz) 3 (60Hz)
OA2543AN-11-3 * 1856	1500 1700	400 450	49	115	100~120	32 40	0.22 0.28	6 (50Hz) 5 (60Hz)
OA2543AN-22-1 * 1856	2800 3300	800 930	67	230	200~240	95 105	0.96 1.07	2 (50Hz) 1 (60Hz)
OA2543AN-22-2 * 1856	2300 2250	670 615	53	230	200~240	80 95	0.25 0.20	4 (50Hz) 3 (60Hz)
OA2543AN-22-3 * 1856	1500 1700	400 450	48	230	200~240	32 40	0.22 0.28	6 (50Hz) 5 (60Hz)

\* Indicate "TB" for terminal type or "WB" for lead wires

# Mouser Electronics

Authorized Distributor

Click to View Pricing, Inventory, Delivery & Lifecycle Information:

## Orion Fans:

[OA2543AN-22-1TB1856](#) [OA2543AN-11-1WB1856](#) [OA2543AN-22-1WB1856](#) [OA2543AN-11-1TB1856](#) [OA2543AN-22-2WB1856](#) [OA2543AN-11-2WB1856](#) [OA2543AN-11-3TB1856](#) [OA2543AN-22-3TB1856](#) [OA2543AN-22-3WB1856](#) [OA2543AN-11-3WB1856](#) [OA2543AN-11-2TB1856](#) [OA2543AN-22-2TB1856](#)