

THIS DRAWING IS UNPUBLISHED. RELEASED FOR PUBLICATION  
 © COPYRIGHT 1996 - ALL RIGHTS RESERVED.

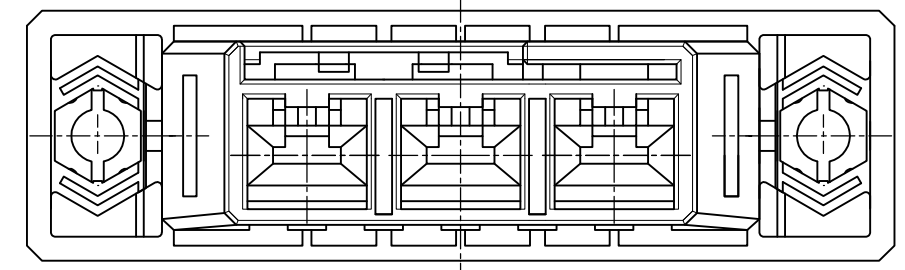
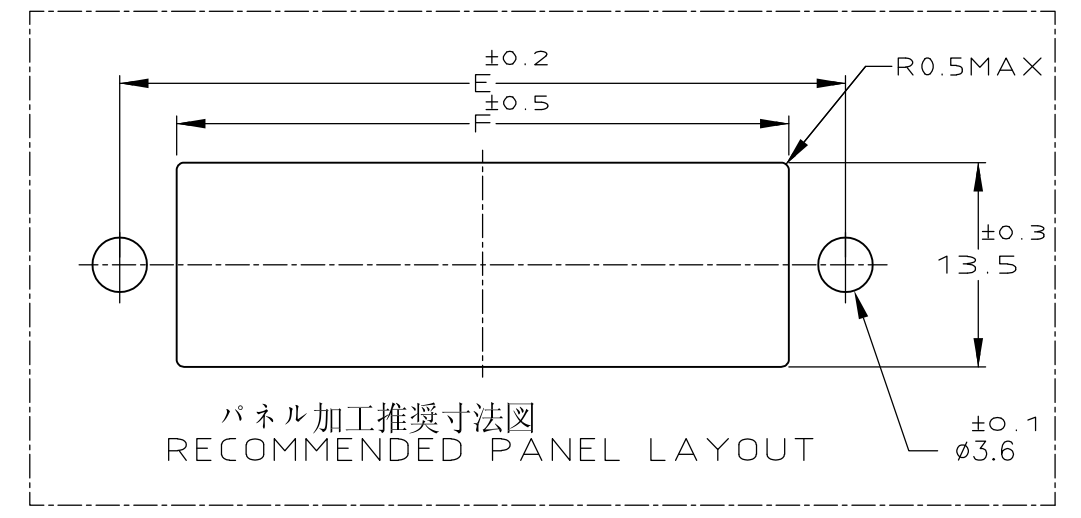
LOC	DIST	REVISIONS					
		P	LTR	DESCRIPTION	DATE	DWN	APVD
J		E2		REVISED PER ECO-11-005030	23MAR11	RK	HMR

注記

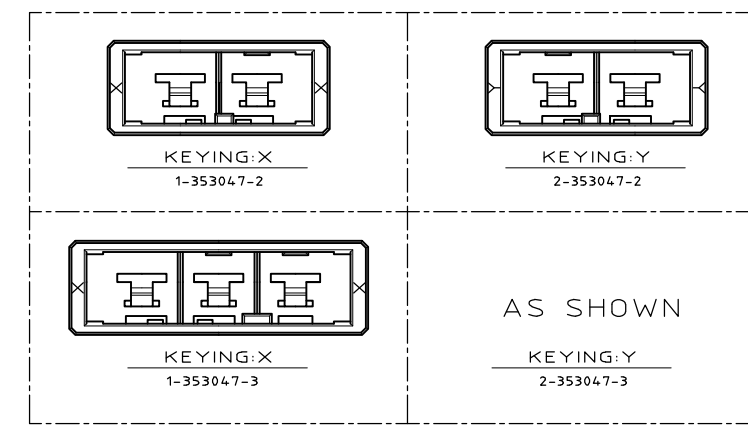
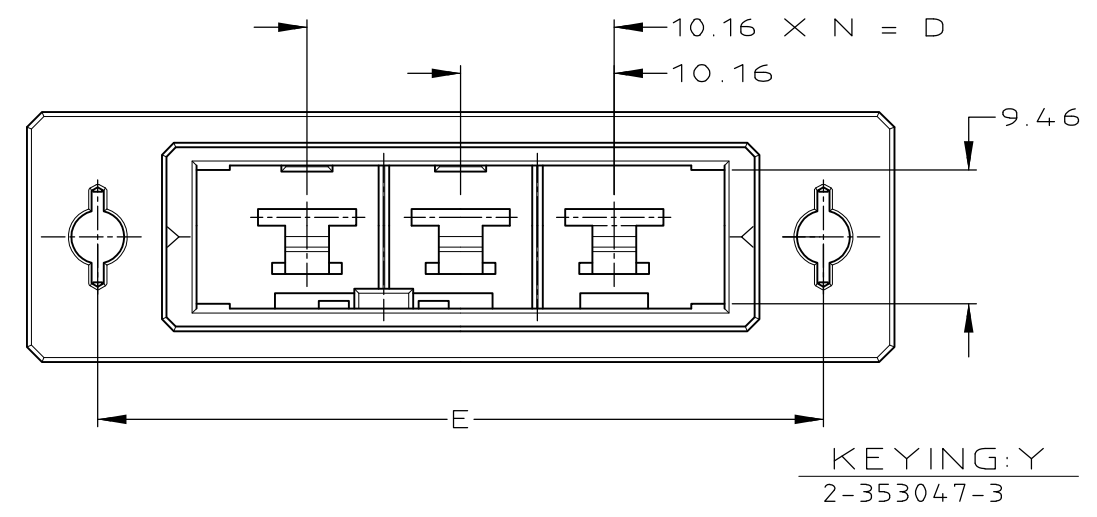
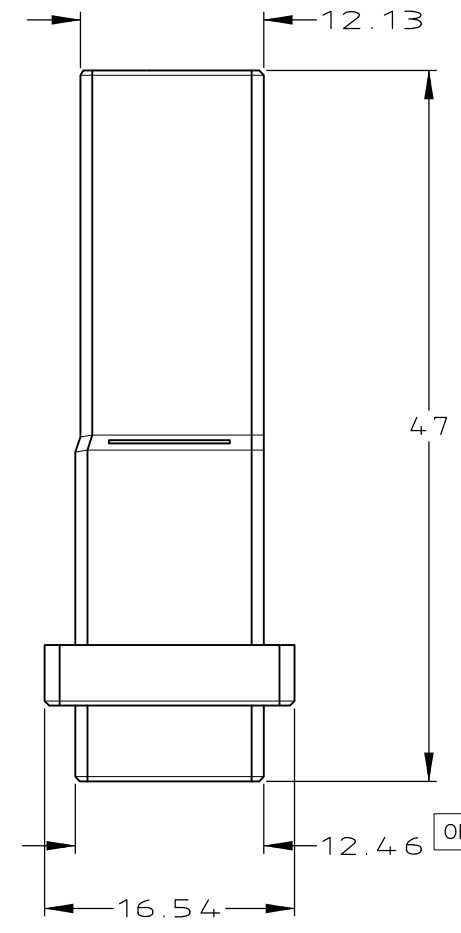
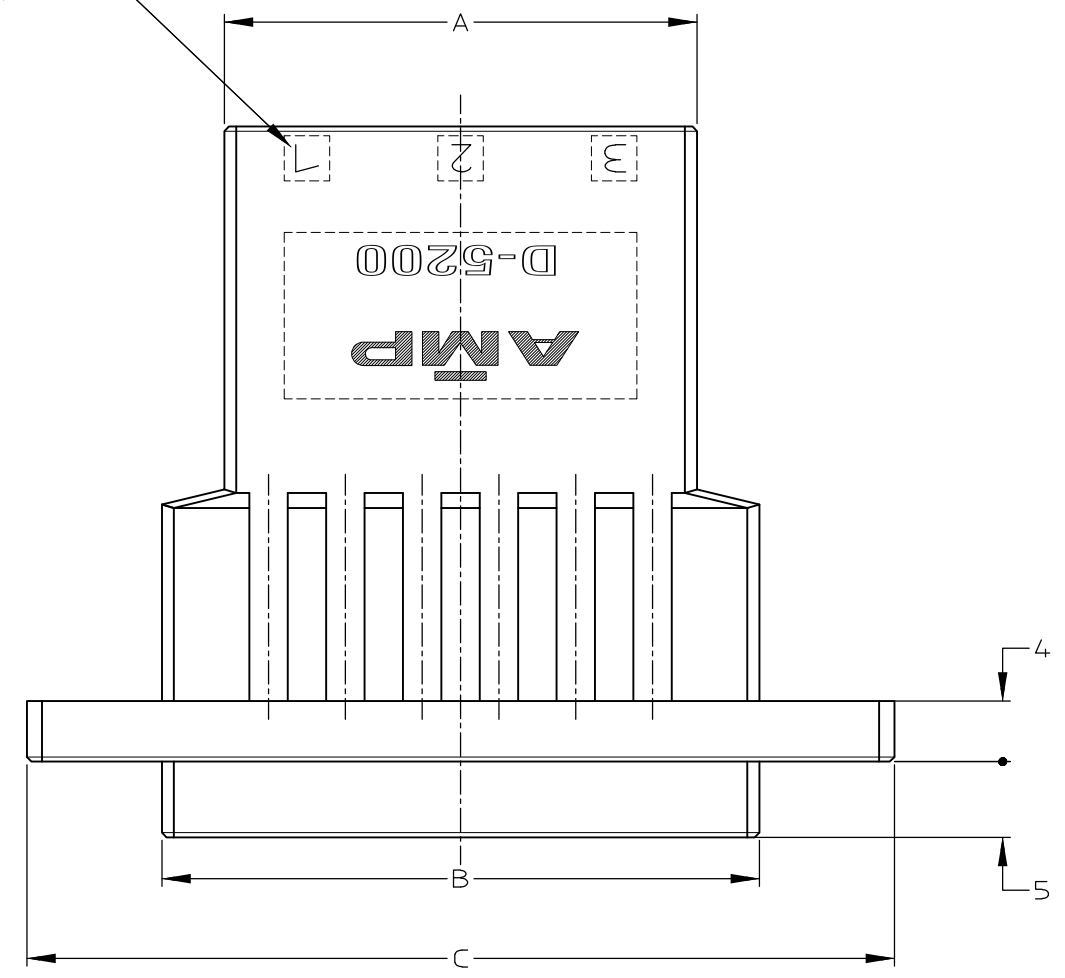
- △ 材料: ハウジング: ガラス入り熱可塑性ポリエステル樹脂(94V-0)、色: 黒
- △ ハウジング全面にテフロン塗装のこと
- ③ パネル取付推奨ネジ M3

NOTES

- △ MATERIAL: HOUSING: GLASS FILED THERMO PLASTIC, POLYESTER(94-V-0), COLOR: BLACK
- △ TO COAT ALL SURFACE OF HOUSING WITH TEFLON
- ③ PANEL ATTACHMENT RECOMMENDATION M3 SCREW



CIRCUIT NO.  
回路番号



FINISH	A	B	C	D	E	F	N	POS	P/N
	31.27	39.52	57	20.32	48	40.5	2	3	1-353047-3
									2-353047-3
									2-353047-2
	21.11	29.36	47	10.16	38	30.4	1	2	1-353047-2

DIMENSIONS: 単位 耗 mm		TOLERANCES UNLESS OTHERWISE SPECIFIED 一般公差 10: ±0.2 30: >10 : ±0.25 100: >30 : ±0.3 ANGLE: ±0.3°		DWN K.IKEDA 16/MAY/'96 CHK Y.Ishikawa 16/MAY/'96 APVD S.Manabe 17/MAY/'96 PRODUCT SPEC 108-5453 APPLICATION SPEC 114-5206 WEIGHT T1			
MATERIAL 材料 △		FINISH 仕上		NAME 1列 タブ ハウジング パネルマウント タイプ SINGLE ROW TAB HSG (PANEL MOUNT) <DYNAMIC D-5200 S>		SIZE A3 CAGE CODE 00779 DRAWING NO. ③-353047	
CUSTOMER DRAWING				SCALE 2-1 SHEET 1 OF 1 REV E2		WIRE RANGE 抱合電線断面積 T1 INSULATION DIA 被覆外径 T1	

# Mouser Electronics

Authorized Distributor

Click to View Pricing, Inventory, Delivery & Lifecycle Information:

[TE Connectivity:](#)

[2-353047-3](#)