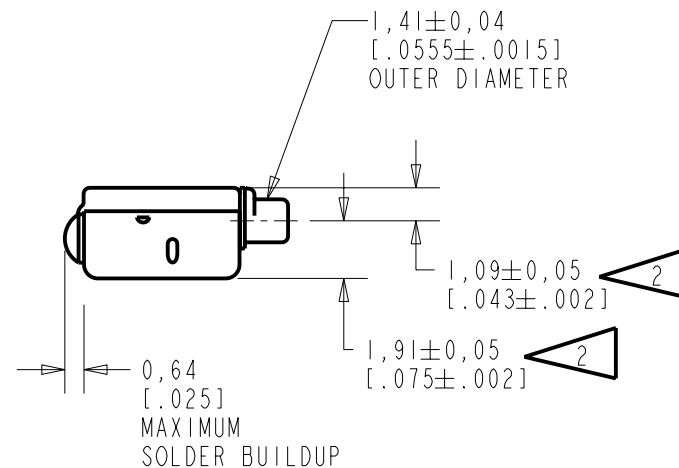
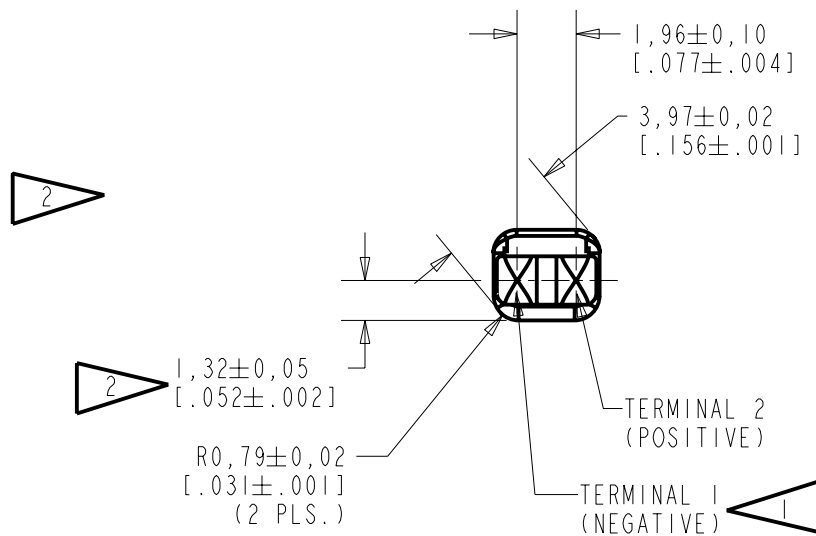
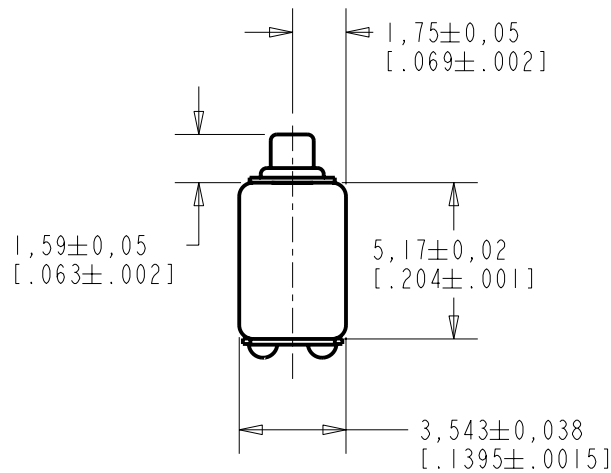


FC-23265-000

SHT 1.1

NOTES:

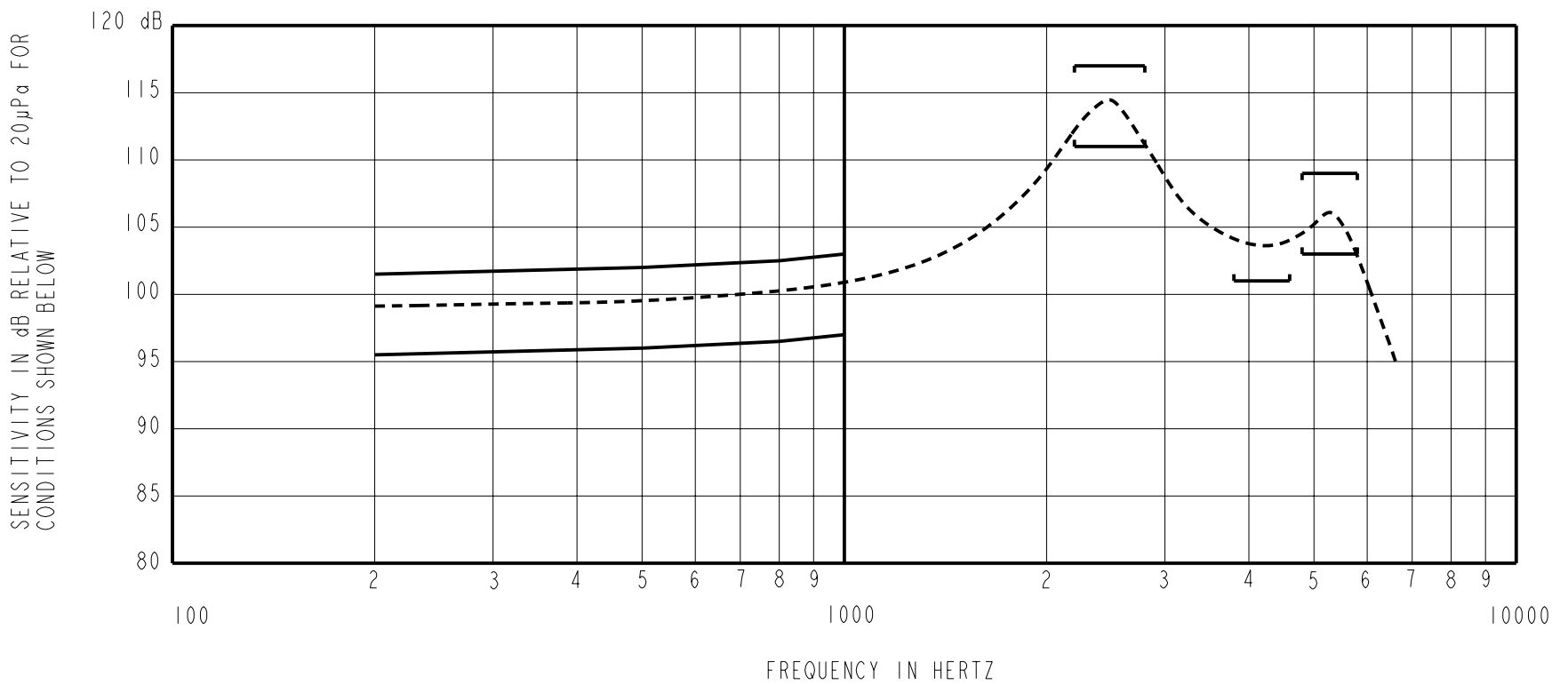
- 1 A POSITIVE GOING VOLTAGE AT TERMINAL 2, RELATIVE TO TERMINAL 1, CAUSES A DECREASE IN PRESSURE AT THE SOUND OUTLET.
- 2 LOCATED FROM TWO SURFACES FOR CUSTOMER CONVENIENCE. ONLY APPLICABLE FROM ONE SURFACE, NOT TO BE USED TOGETHER.



NOMINAL WEIGHT  
.23 GRAMS DIMENSIONS IN MILLIMETERS [INCHES]

**KNOWLES ELECTRONICS**  
ITASCA, ILLINOIS U.S.A.

Revision	C.O. #	Implementation Date	RELEASE LEVEL	REVISION
			<b>Released</b>	<b>B</b>
A	C10103166	9-20-05		
SCALE: <b>4:1</b>				
TITLE: <b>RECEIVER</b>			DR. BY DATE	
OUTLINE DRAWING			MMM 9-20-05	
<b>FC-23265-000</b>			CK. BY DATE	
<b>SHT 1.1</b>			GJP 9-26-05	
			APP. BY DATE	
			GJP 9-26-05	



NOTES:

1. MEASUREMENTS MADE USING 10mm (.394") X 1mm (.039") ID TUBE CONNECTED TO A SIMULATED ANSI S3.3-1960 TYPE HA-3 COUPLER. (T3420 AND B & K DB0138).

2. SENSITIVITY

FREQUENCY	MIN.	MAX.
200	95.5	101.5
500	96.0	102.0
800	96.5	102.5
1000	97.0	103.0
2200-2800	111.0	117.0
3800-4600	101.0	---
4800-5800	103.0	109.0

- 3. RESPONSE, IMPEDANCE, AND DISTORTION MEASUREMENTS MADE USING THE ELECTRICAL TEST CONDITIONS SHOWN BELOW.
- 4. ELECTRICAL SOURCE IMPEDANCE MUST BE GREATER THAN 20 TIMES 1KHz IMPEDANCE FOR TEST CONDITIONS SHOWN BELOW.
- 5. INDIVIDUAL SPECIFICATIONS.

PORT LOCATION	IMPEDANCE OHMS ±15%		DCR @20°C OHMS ±10%	DISTORTION		ELECTRICAL TEST CONDITIONS	
	1KHz	500Hz		MAX. %	FREQ Hz	AC mA RMS	DC mA
12C	1055	625	395	10	800	0.71	0.00

Revision	C.O. #	Implementation Date	RELEASE LEVEL	REVISION
A	C10103166	9-20-05	Released	B

**KNOWLES ELECTRONICS**  
 ITASCA, ILLINOIS U.S.A.

WHEN TEST LIMITS ARE USED TO ESTABLISH INCOMING INSPECTION ACCEPTANCE/REJECTION CRITERIA, CORRELATION OF TEST EQUIPMENT WITH KNOWLES IS ALSO REQUIRED FOR ELIMINATION OF EQUIPMENT AND TEST METHOD VARIATION

TITLE: **RECEIVER**  
 PERFORMANCE SPECIFICATION

**FC-23265-000**  
 SHT 2.1

DR. BY	DATE
MMM	9-20-05
CK. BY	DATE
GJP	9-26-05
APP. BY	DATE
GJP	9-26-05

# Mouser Electronics

Authorized Distributor

Click to View Pricing, Inventory, Delivery & Lifecycle Information:

## Knowles:

[FC-30013-000](#) [FC-23306-000](#) [FC-26755-000](#) [FFC-26864-I05](#) [FFC-23981-I04](#) [FFC-26855-I05](#) [FC-27963-000](#) [FC-26879-000](#) [FC-26314-000](#) [FC-26214-000](#) [FFC-26170-I04](#) [FFC-26862-I05](#) [FC-26326-000](#) [FC-30001-000](#) [FFC-26863-I05](#) [FC-23265-000](#) [FC-26171-000](#) [FC-26170-000](#) [FC-23300-000](#) [FC-26032-000](#) [FC-26184-000](#) [FC-30010-000](#) [FC-26887-000](#) [FC-30012-000](#) [FC-30011-000](#) [FFC-26795-I04](#) [FC-26891-000](#) [FC-26654-000](#) [FC-26895-000](#) [FFC-26853-I05](#) [FFC-26654-I02](#) [FFC-26854-I05](#) [FC-26465-000](#) [FFC-26171-I02](#) [FC-26033-000](#) [FC-26033-0000](#) [FFC-26171-000](#) [FFC-26171-I05](#) [FC-30814-P127](#) [FC-31619-000](#) [FFC-26171-I04](#) [FC-30814-000](#) [FC-26595-000](#)