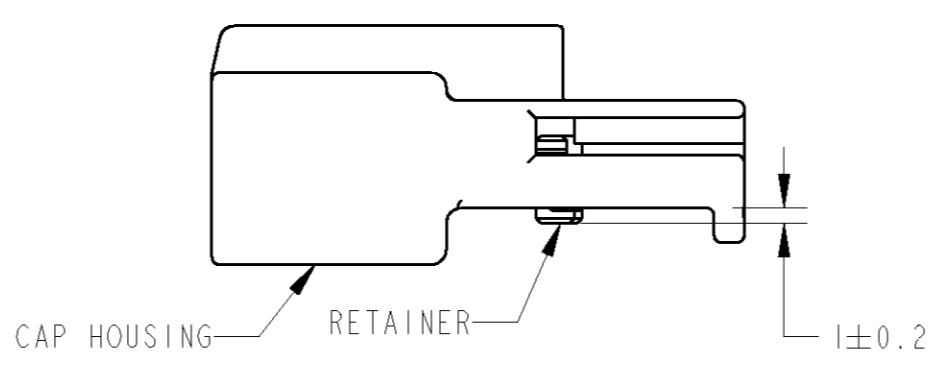
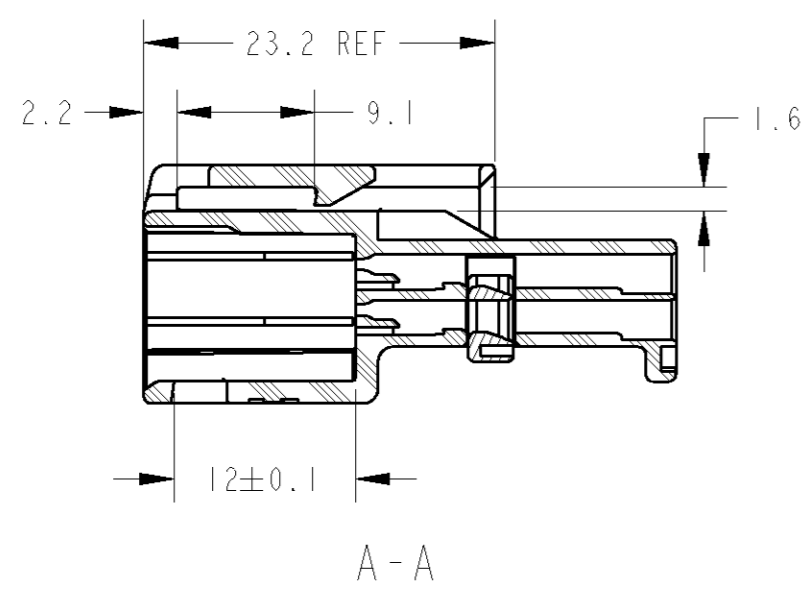
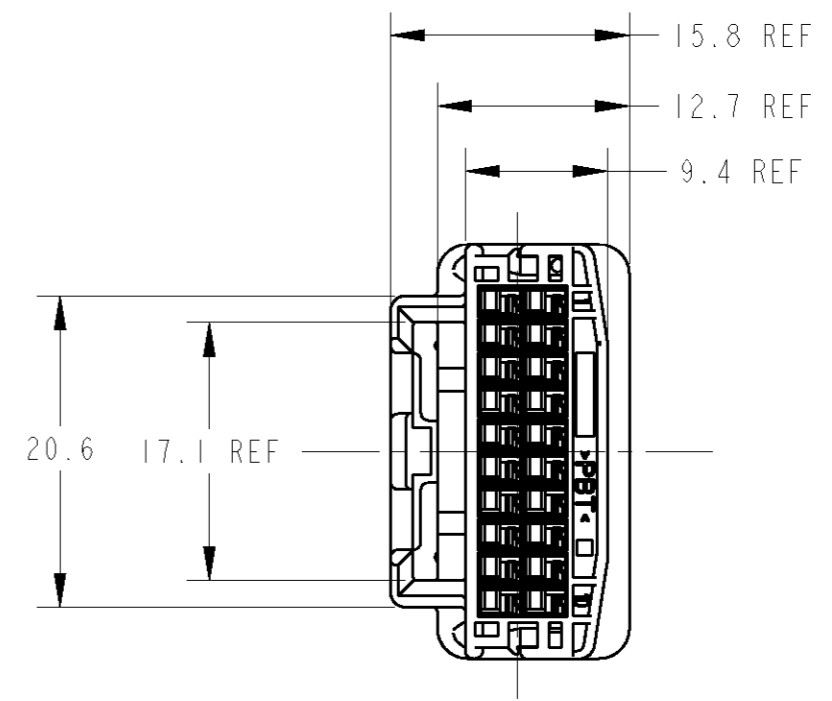
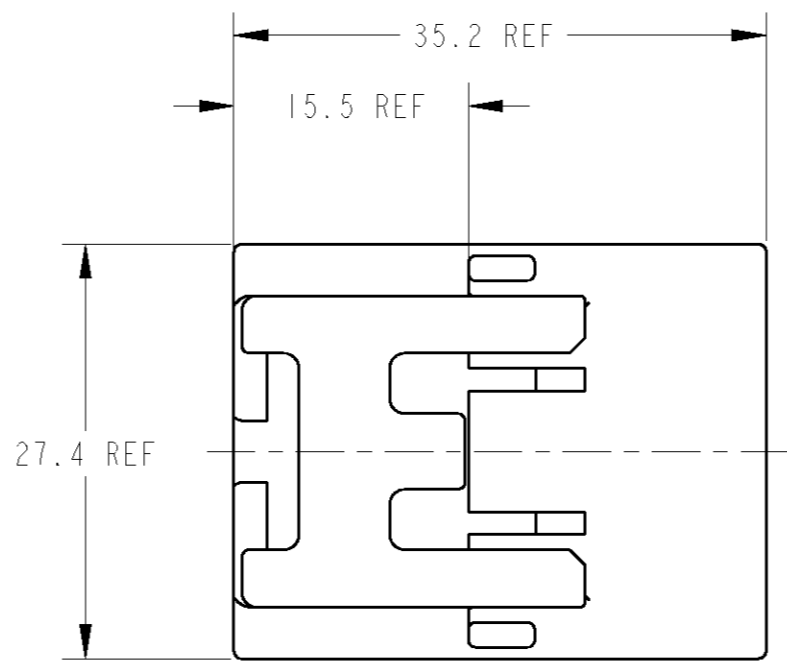
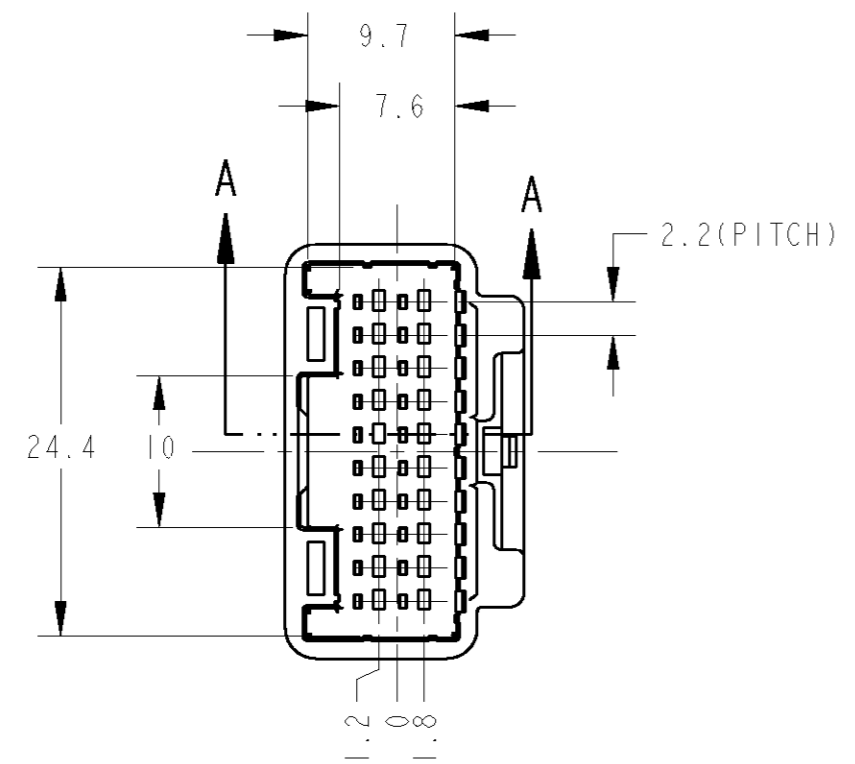


THIS DRAWING IS UNPUBLISHED. RELEASED FOR PUBLICATION 20
 © COPYRIGHT 20 BY TYCO ELECTRONICS CORPORATION. ALL RIGHTS RESERVED.

LOC	DIST	REVISIONS					
		P	LTR	DESCRIPTION	DATE	DWN	APVD
J			O	RELEASED	FJ00-0868-01	09JUL01	R.K N.S
			A	REVISED	FJ00-2262-01	27SEP01	R.K N.S
			B	REVISED	FJ00-2441-01	16OCT01	R.K N.S
			BI	ADDED -2	ECR-05-014952	07NOV05	TS KB



1. プラグハウジングにリテーナーを板係止して出荷される。
2. 板係止時リテーナーがハウジングの外側に出ていること。
3. リテーナーの板係止保持力は、30N以上
4. 取扱説明書No : 411-5996
5. 嵌合相手型番は TABLE-1参照
6. 本製品の適用端子は TABLE-2参照

1. RETAINER SHOULD BE SET TO THE PRE-ASSEMBLY POSITION WITHIN THE PLUG HOUSING WHEN SHIPPED TO THE CUSTOMER.
2. THE RETAINER MUST BE OUT SIDE OF PLUG HOUSING WHEN PRE-ASSEMBLY.
3. RETAINER RETENTION FORCE FROM HOUSING : 30N MIN
4. INSTRUCTION SHEET NO : 411-5996
5. PART NUMBER OF PLUG HOUSING TO BE MATED : SEE TABLE-1
6. APPLIED TERMINAL OF THIS PART : SEE TABLE-2

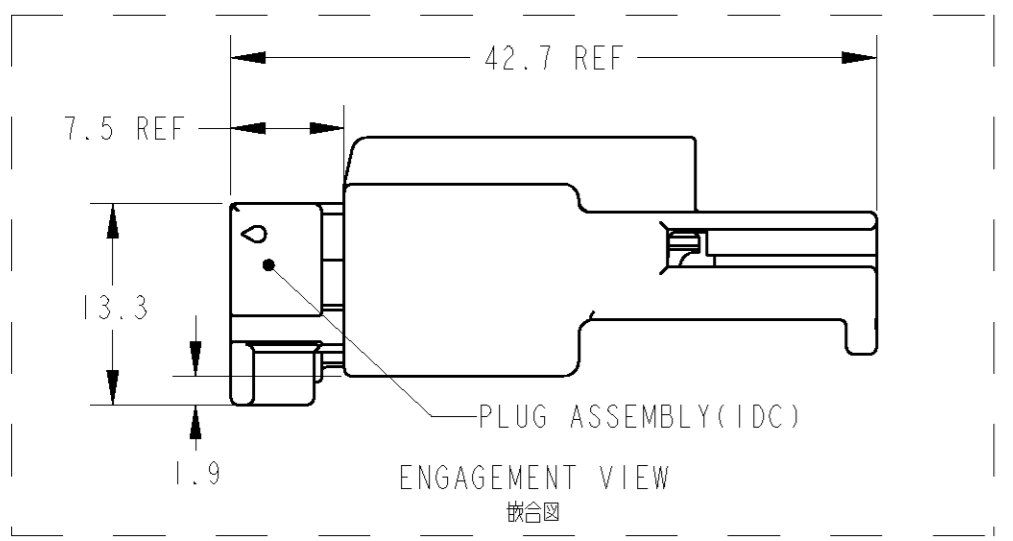
TABLE-1

POS 極数	DESCRIPTION	PLUG ASSEMBLY PART NO. プラグ 型番
20	IDC	1473807 1473808

TABLE-2

SIGNAL	TIN	POS 極数	APPLIED TERMINAL 適用端子		APPLICABLE WIRE RANGE 適用電線	
			DESCRIPTION	AMP P/N		
025		20	CRIMP	1376109-1	CAVS/CAVUS 0.22~0.5mm ² AVSS/AVSSH-f 0.3~0.5mm ²	
				IDC	1473818-1	WIRE RANGE : 0.08mm ² INSULATION DIA : 1.1~1.4mm
					1565406-1	WIRE RANGE : 0.22mm ² INSULATION DIA : 0.8~1.2mm

PAPER BOX ダンボール箱	PLASTIC BAG ビニール袋	COLOR 色	PART NUMBER 製品型番
		BLACK	1473750-2
		NATURAL	1473750-1
OUTER 外表	INNER 内装	PACKING STYLE 梱包形態	



THIS DRAWING IS A CONTROLLED DOCUMENT FOR TYCO ELECTRONICS CORPORATION
 IT IS SUBJECT TO CHANGE AND THE CONTROLLING ENGINEERING ORGANIZATION
 SHOULD BE CONTACTED FOR THE LATEST REVISION.

DIMENSIONS: mm

TOLERANCES UNLESS OTHERWISE SPECIFIED:
 一般公差: ±0.3
 0-PLC ±0.5
 1-PLC ±0.5
 2-PLC ±0.13
 3-PLC ±0.013
 4-PLC ±0.0001
 ANGLES ±3°00'

MATERIAL PBT FINISH SEE TABLE

DWN R. KOMIYAMA 09JUL01
 CHK N. SAI 09JUL01
 APVD N. SAI 09JUL01

PRODUCT SPEC 108-5660
 APPLICATION SPEC 114-5276, 114-5291
 WEIGHT 6.17g

tyco Tyco Electronics AMP K.K.
 Kawasaki, Japan

NAME 025 CONNECTOR 20POSITION
 CAP ASSEMBLY W-W (CRIMP AND IDC)

SIZE A2 CAGE CODE 00779 DRAWING NO. 1473750 RESTRICTED TO

CUSTOMER DRAWING SCALE 2:1 SHEET 1 OF 1 REV B1

Mouser Electronics

Authorized Distributor

Click to View Pricing, Inventory, Delivery & Lifecycle Information:

[TE Connectivity:](#)

[1473750-1](#)