

Faceplates MA1 Part number 88970810



- IP67 : sealing on front panel, panel-mounting of the Millennium 3
- IP40 : direct access to the front of the controller, possibility of labelling (laser marking)

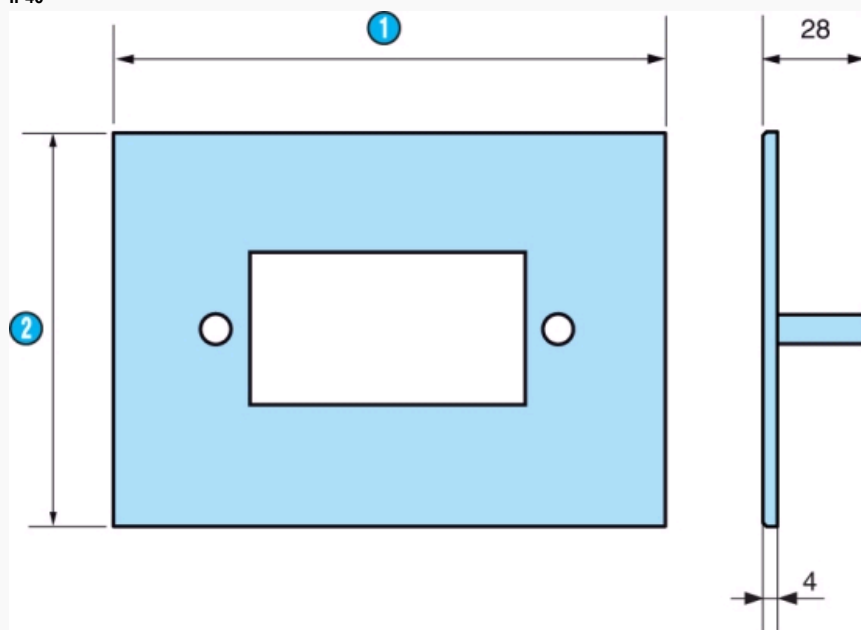
Part numbers

Type	Description
88970810 MA1	IP40 faceplate : CD20 or XD26

Specifications

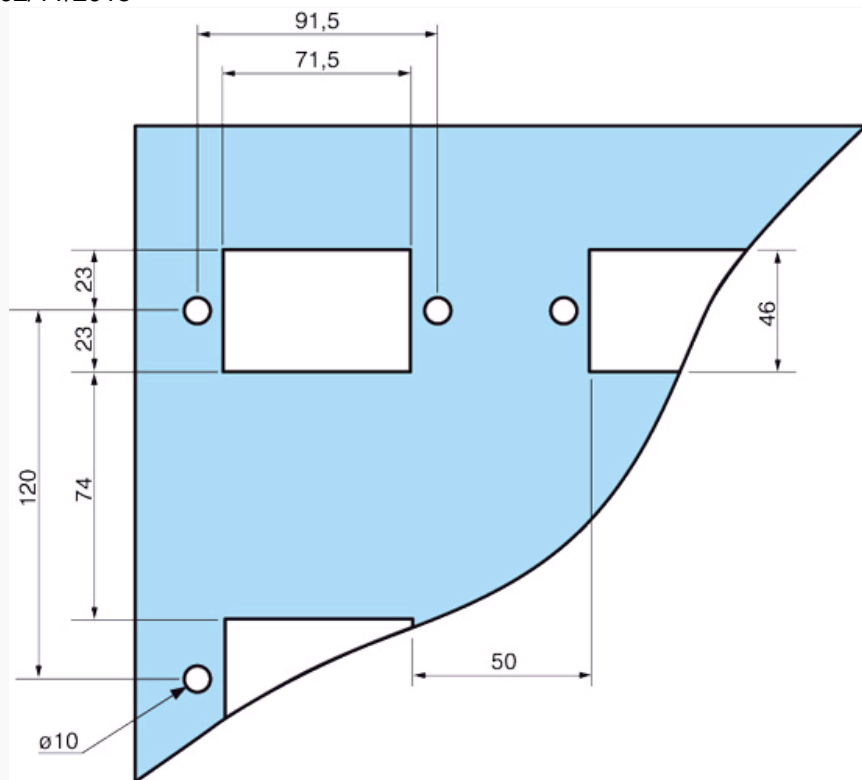
Dimensions (mm)

IP40

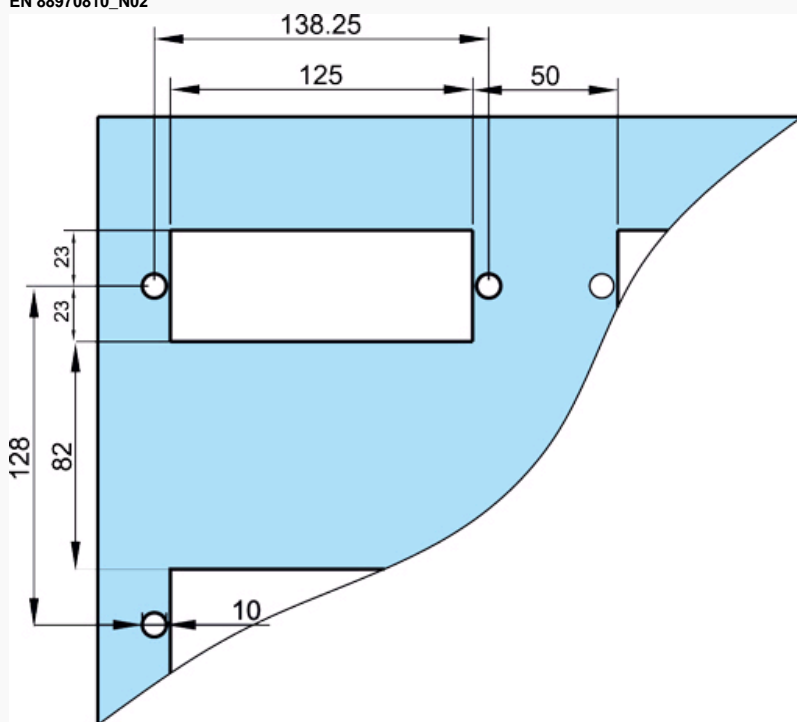


N°	Legend
1	88970809 = 110 88970810 = 155
2	88970809 = 108 88970810 = 108

Dimensions (mm)

**Dimensions (mm)**

EN 88970810_N02



Mouser Electronics

Authorized Distributor

Click to View Pricing, Inventory, Delivery & Lifecycle Information:

[Crouzet:](#)

[88970810](#)