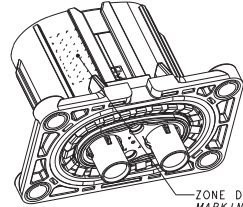


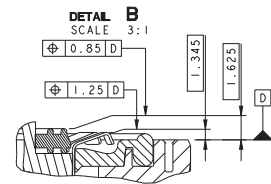
SCALE 1:1



ZONE DE MARQUAGE
MARKING AREA

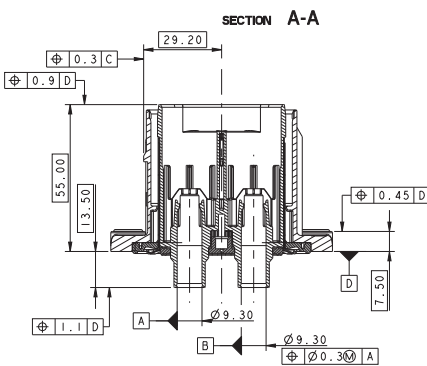
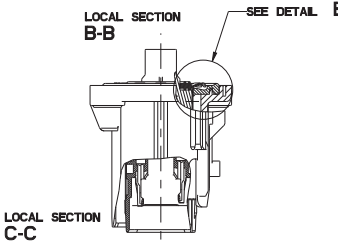
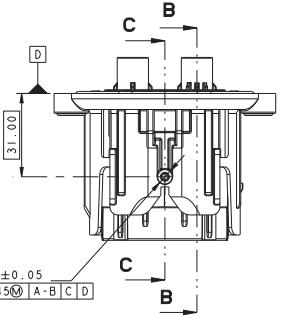
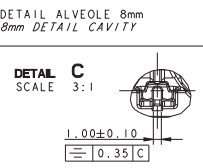
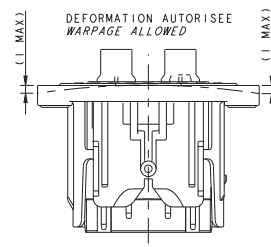
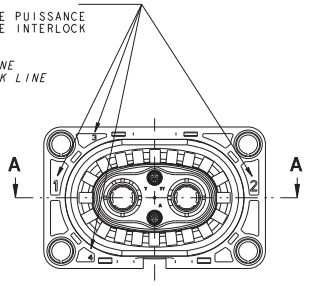
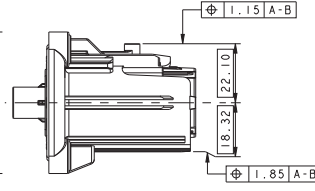
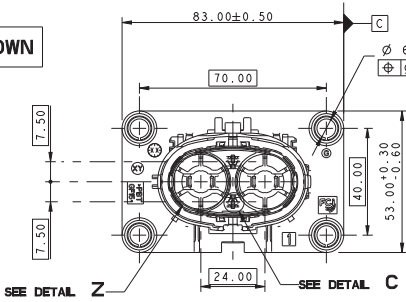
CODING 1 SHOWN

| DESIGNATION DESIGNATION | PRODUITS ASSOCIES (FOR INFORMATION) | | | | JUF / SWS | | COULEUR COLOR |
|---|-------------------------------------|------------------------------------|--------------------------------|---|------------------------------|------------------------------------|------------------|
| | REFERENCE MVL MVL PART-N° | REFERENCE DELPHI DELPHI PART-N° | SECTION DU FIL WIRE SECTION | DIAMETRE EXTERNE DU FIL EXTERNAL WIRE DIAMETER | REFERENCE MVL MVL PART-N° | REFERENCE DELPHI DELPHI PART-N° | |
| LANGUETTE RONDE 8mm ARGENTE SILVER 8mm ROUND MALE TERMINAL | TO SEE TABLE ON SHEET 2 | | | | | | |
| LANGUETTE DCS2 1.5 DOREE GOLD DCS2 1.5 MALE TERMINAL | 6 010 07 14 | 33511802 | 0.35mm ² | ∅1.25 - 1.35 | 6 099 39 13 | 15441379 | ROUGE RED |
| | 6 010 07 34 | 10779703 | 0.5mm ² | ∅1.4 - 1.5 | 6 099 39 28 | 15441380 | GRIS GREY |
| 1.0-mm ² | | ∅1.75 - 1.9 | | | | | |
| PORTE-CLIPS 2V RCS800 V2 CODE1 2W RCS800 V2 CODE1 FEMALE CONNECTOR | F673110 | 13974469 | | | | | |
| PORTE-CLIPS 2V RCS800 V2 CODE2 2W RCS800 V2 CODE2 FEMALE CONNECTOR | F773110 | 33511761 | | | | | |
| PORTE-CLIPS 2V RCS800 V2 CODE3 2W RCS800 V2 CODE3 FEMALE CONNECTOR | A DEFINIR TO BE DEFINED | A DEFINIR TO BE DEFINED | | | | | |



REPERS ALVEOLE :
- VOIES 1 ET 2 : LIGNE PUISSANCE
- VOIES 3 ET 4 : LIGNE INTERLOCK

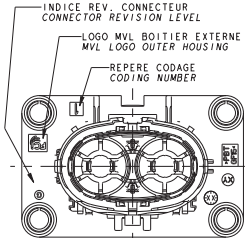
CAVITY POSITIONING:
- WAY 1 & 2: POWER LINE
- WAY 3 & 4: INTERLOCK LINE



- NOTES:
- CADRE DES CHARGES MVL: FE PS 10 008
 - CLASSE DE TEMPERATURE DU CONNECTEUR: CLASS 3 (-40°C; +125°C)
 - CLASSE DE VIBRATION:
 - PRECONDITIONNEMENT
 - 3x 16H (COMBINE AVEC TEMPERATURE -40°C/+125°C); 3.99
 - CLASSE D'ETANCHEITE:
 - 1000mb INITIAL
 - 500mb APRES LES TESTS D'ENVIRONNEMENT
 - EFFORT D'ACCROULEMENT: F=80N
 - CONDITIONNEMENT: FE PA 10 003
 - DOSSIER DE MISE EN OEUVRE: PU138
 - MASSE DU PRODUIT: 0.09 kg ±10%
 - CE PLAN EST UN EXTRAIT DES PLANS DE DEFINITIONS. ON FERA REFERENCE POUR TOUT LITIGE AUX PLANS DE DEFINITIONS.
 - PLAN DU PORTE-CLIPS: PCC0732943
 - LE COUPLE DE SERRAGE PRECONISE PARTICIPE A UNE FONCTION SECURITAIRE D'ETANCHEITE.

- NOTES:
- MVL PRODUCT SPECIFICATIONS: FE PS 10 008
 - TEMPERATURE CLASS OF THE CONNECTOR: CLASS 3 (-40°C; +125°C)
 - VIBRATION CLASS:
 - PRECONDITIONING
 - 3x 16H (COMBINED WITH TEMPERATURE -40°C/+125°C); 3.99
 - SEALING CLASS:
 - 1000mb INITIAL
 - 500mb AFTER TEST ENVIRONMENT.
 - MATING FORCE: F=80N
 - PACKAGING: FE PA 10 003
 - HANDLING MANUAL: PU138
 - MASS OF THE PRODUCT: 0.09 kg ±10%
 - THIS DRAWING IS AN EXTRACT OF THE DETAIL DRAWINGS. IN CASE OF CONFLICT, REFER TO THEM.
 - DRAWING FEMALE CONNECTOR: PCC0732943
 - THE PRECONIZED SCREWING TORQUE PARTICIPE TO A SECURITY SEALING FEATURE.

| REFERENCE MVL / MVL PART-N° | F473110 REVISION G | F573110 REVISION G | A DEFINIR / TO BE DEFINED |
|---|----------------------|----------------------|----------------------------|
| REFERENCE DELPHI / DELPHI PART-N° | 33511764 REVISION 01 | 33511762 REVISION 01 | |
| CODAGE MECANIQUE MECHANICAL KEY | CODAGE 1 KEY 1 | CODAGE 2 KEY 2 | CODAGE 3 KEY 3 |
| IDENTIFIANT IMDS IMDS ID | 212448595 | 212869634 | A DEFINIR TO BE DEFINED |
| CODAGE CONNECTEUR SUIVANT VUE DE FACE ECHELLE: 1:1 PLUG CODING FRONT VIEW SCALE: 1:1 | | | |
| CODAGE EQUIPEMENT SUIVANT VUE ARRIERE ECHELLE: 1:1 DEVICE CODING REAR VIEW SCALE: 1:1 | | | |



DELPHI P/N ADDED

DELPHI

2W POWER RCS800 V2 HEADER

PCC0732944

2W POWER RCS800 V2

FD-075581

PCC0732944

See Table

Mouser Electronics

Authorized Distributor

Click to View Pricing, Inventory, Delivery & Lifecycle Information:

[Aptiv:](#)

[F573110-B](#) [F473110-B](#) [F473110](#) [F573110](#)