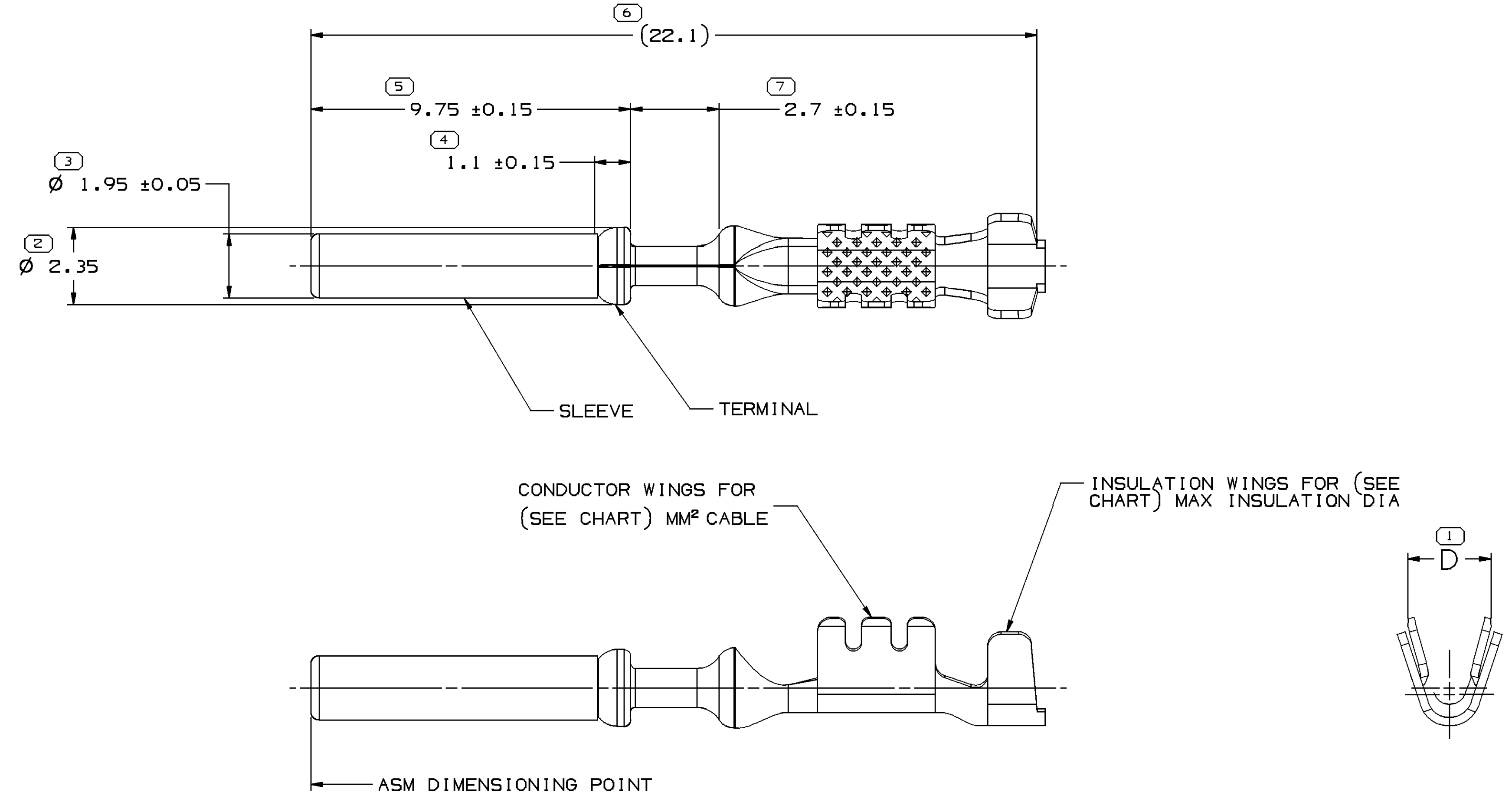


SYMBOL DEFINITION		
A DIMENSION WITHOUT AN INSPECTION REPORT SYMBOL ( ) DOES NOT REQUIRE INSPECTION. IT MAY BE CONTROLLED ON THE INDIVIDUAL COMPONENT DRAWING.	TOTAL NO OF INSPECTIONS REQUIRED	7
	LAST NO. USED	7

MISSING SYMBOLS		DWG STATUS				ZONE	REVISION HISTORY	AUTH	DR	APVD1	APVD2
NO MISSING SYMBOL NUMBER	DATE	STG	REV	N/P	CHG						
	30MY96	-	-	-	-		ALL PARTS - PID REDRAWN FROM SEPARATE OD & UPDATED - NO REV UPDATE REQ'D	172603	JCS	WTP	WTP
	30MY97	-	-	-	-		ALL PARTS - REVISED NOTES #1 & #3 - NO REV UPDATE REQ'D	180366	JIL	JVS	JVS
	220C97	-	-	-	-		ALL PARTS - PID UPDATED - NO REV UPDATE REQ'D	183104	EML	JVM	JVM
	12MR98	-	-	-	-		ALL PARTS - REVISED - NO REV UPDATE REQ'D	186137	ROM	OOD	OOD
	15AP09	R	05	-	-		ALL PARTS - RESTRICTED & ADDED "RESTRICTED USAGE" AND "REPLACED BY" COLUMNS FROM CHART	407809	JAR	JVM	MGC
	09SE10	R	06	-	-		ALL PARTS - REDRAWN	411744	MAB	JVM	FRE
	28MY12	R	07	-	-		ALL PARTS - REVISED PLATING NOTES	418348	AH	AH	AH



**MATERIAL:**  
 TERMINAL - 0.25 MM THK CDA 510 HALF HARD PHOSPHOR BRONZE  
 SLEEVE - STAINLESS STEEL UNPLATED

**PLATING NOTE:**  
 TERMINAL IS SELECTIVELY NICKEL, TIN & GOLD PLATED.

- NOTES**
- UNLESS OTHERWISE SPECIFIED AND/OR INDICATED:  
 DIMENSIONS ARE TO FACE OF VIEW SHOWN AND AUTOMATICALLY ROUNDED BY COMPUTER FOR INSPECTION (SEE MATH MODEL FOR PRECISE DIMENSIONS). FOR ALL OTHER DIMENSIONS NOT SHOWN BUT REQUIRED FOR TOOL BUILD, SEE MATH MODEL FOR PRECISE TOOL PATH DATA.
  - REFERENCE MATING COMPONENTS OR EQUIVALENT:  
 HEADER CONNECTOR 12129025  
 PIN 12092396
  - FORCE REQUIRED TO PULL SLEEVE FROM TERMINAL AFTER ASSEMBLY, 60N MINIMUM.
  - MAXIMUM CURRENT CAPACITY IS 7 AMPS.
  - TERMINALS MUST FIT A MAX 2.54 MM DIA GAGE HOLE  $12 \pm 0.3$  MM DEEP AFTER CRIMPING.

A LINE DRAWN THROUGH A PART NUMBER INDICATES THAT PHYSICAL PARTS ARE NOT AVAILABLE FOR ORDERING. PART NUMBERS THAT DO NOT HAVE A LINE PRESENT INDICATE THAT PHYSICAL PARTS ARE AVAILABLE FOR ORDERING. CONTACT DELPHI SALES TO ASSURE AVAILABILITY OF PARTS.	
DWG TYPE: PART DRAWING	
STYLE:	
VOLUME (C/P)	DISTR CODE: D
UNLESS OTHERWISE SPECIFIED THIS DOCUMENT IS IN ACCORDANCE WITH ASME Y14.5M-1994 AS AMENDED BY THE GM GLOBAL DIMENSIONING AND TOLERANCING ADDENDUM-2001. SEPARATE PATTERNS OF FEATURES MAY BE GAGED SEPARATELY REGARDLESS OF DATUM REFERENCES.	
ALL DIMENSIONS ARE IN MILLIMETERS	
REFERENCE:	
DIMENSIONAL RANGE (MM) FROM 0 TO 12 TOLERANCE UNLESS OTHERWISE SPECIFIED $\pm 0.1$ ANGULAR TOLERANCE $\pm 2^\circ$	CHART D > 12 $\pm 0.2$
THIRD ANGLE PROJECTION	
DO NOT SCALE USE MATH DATA	

**DELPHI**  
 DELPHI PACKARD ELECTRICAL/ELECTRONIC ARCHITECTURE  
 WARREN, OH  
 COPYRIGHT 1996 DELPHI CORPORATION AND/OR ITS AFFILIATES. ALL RIGHTS RESERVED.  
 REVISED 2012  
 THIS DRAWING IS THE PROPERTY OF DELPHI CORPORATION. THE REPRODUCTION, DISTRIBUTION AND UTILIZATION OF THIS DOCUMENT OR ITS RELATED CAD MATH DATA, AS WELL AS COMMUNICATION OF ANY CONTENT TO OTHERS, WITHOUT EXPRESS AUTHORIZATION IS PROHIBITED.

DR	DATE
APVD1 JUAN M. CANO	30MY96
APVD2 W. TURNBULL	30MY96
APVD3 V. BANCROFT	19JN96
APVD4	
APVD5	

SUBSTANCES OF CONCERN AND RECYCLED CONTENT PER DELPHI 10949001

MATERIAL SEE DRAWING

DRAWING NAME  
 TAXI ASM TERM F MIC/P 100W

DRAWING NUMBER  
 12084911

SIZE A1	SCALE 10:1	FRAME NO 1 OF 1	SHEET NO 1 OF 2	STG R	REV 07	N/P -
---------	------------	-----------------	-----------------	-------	--------	-------

PART NO	REV	STATUS	SIZE (MM <sup>2</sup> )	±0.08 DIA	CABLE	ID NO	D ±0.2	RESTRICTED USAGE	REPLACED BY
12084913	H3		0.35 - 0.5	1.92	21	2.1	RESTRICTED	15359001	
12084912	K3		0.8	2.04	18	2.5	RESTRICTED	15359002	

# Mouser Electronics

Authorized Distributor

Click to View Pricing, Inventory, Delivery & Lifecycle Information:

[Aptiv:](#)

[12084912-L](#) [12084913-L](#) [12084912](#) [12084913](#) [12084912-MR](#) [12084913-MR](#)