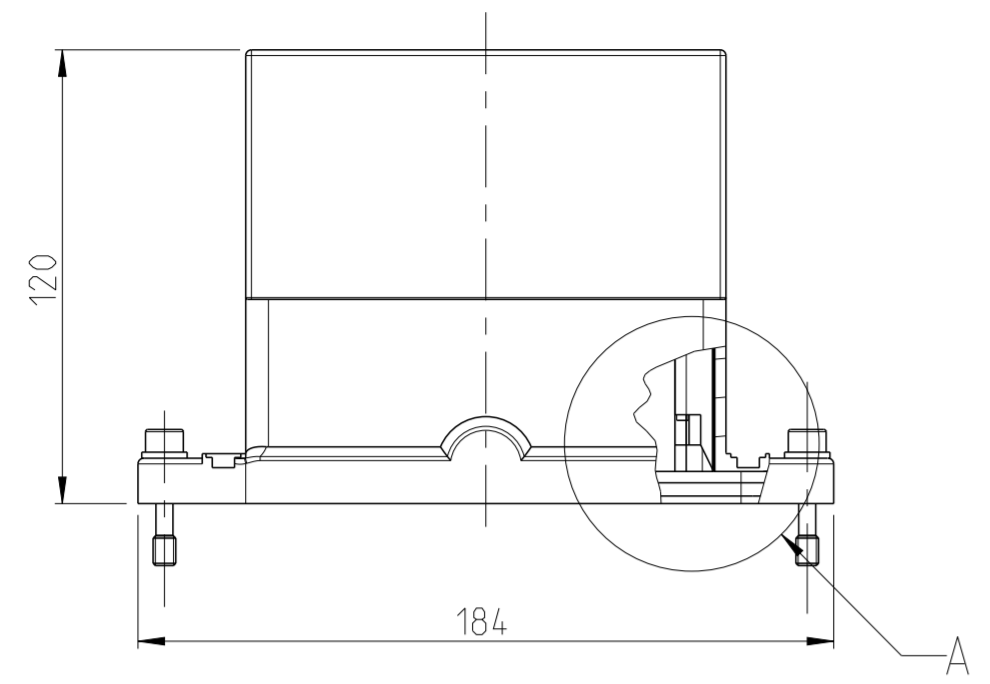
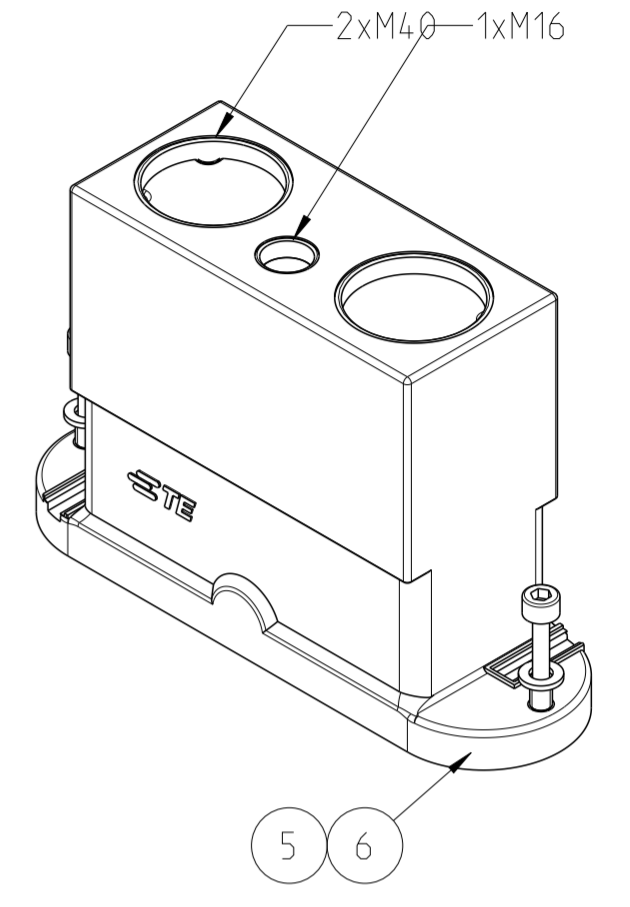
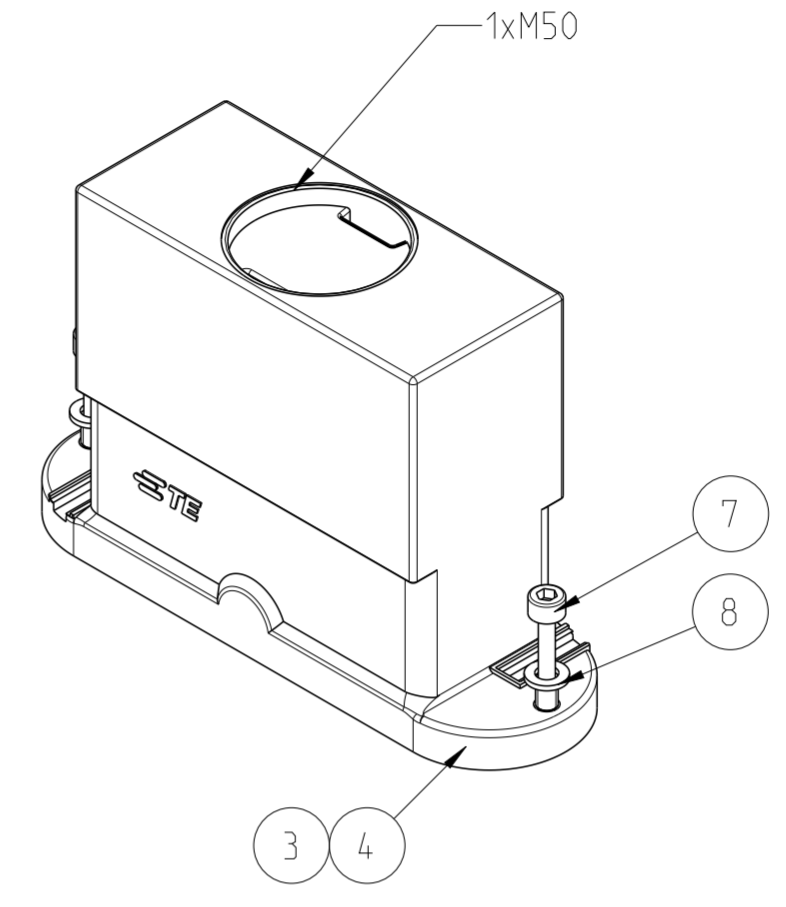
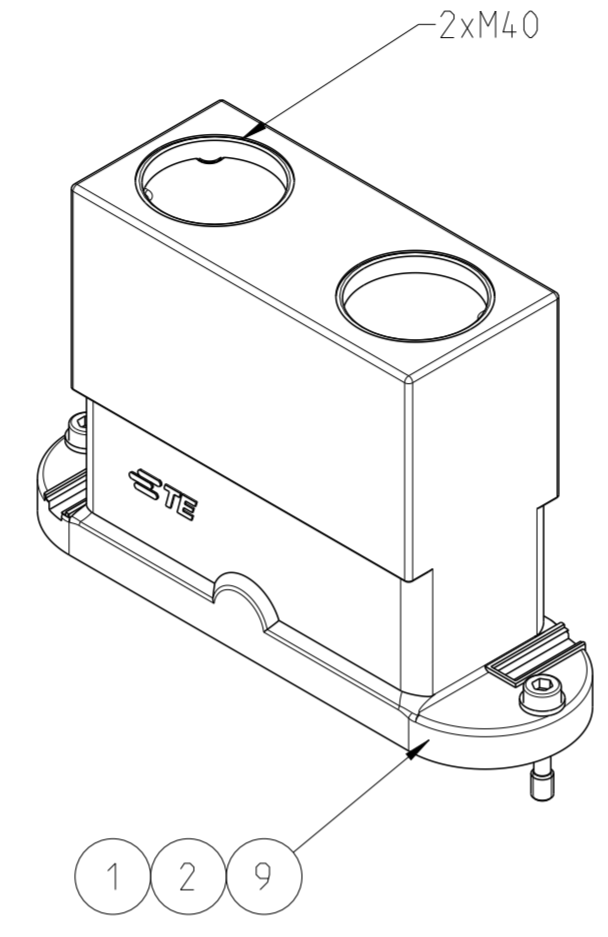
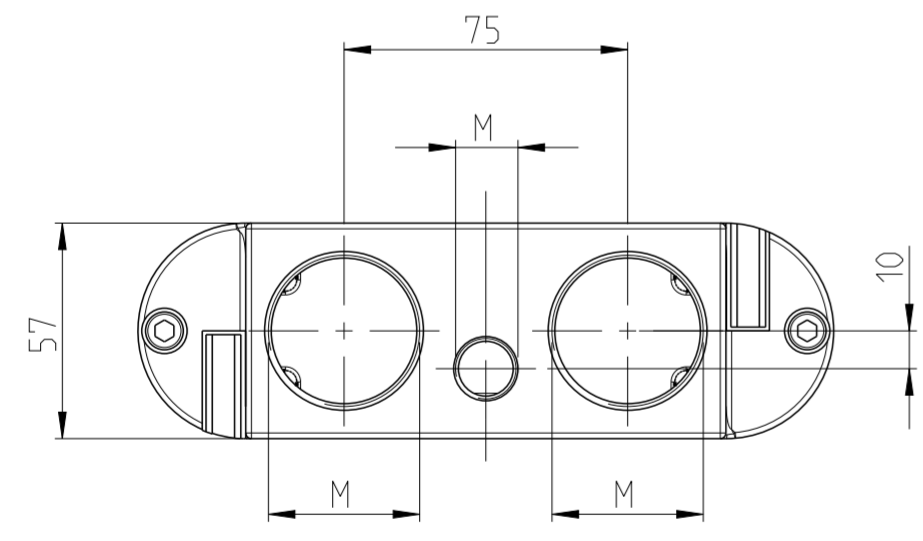
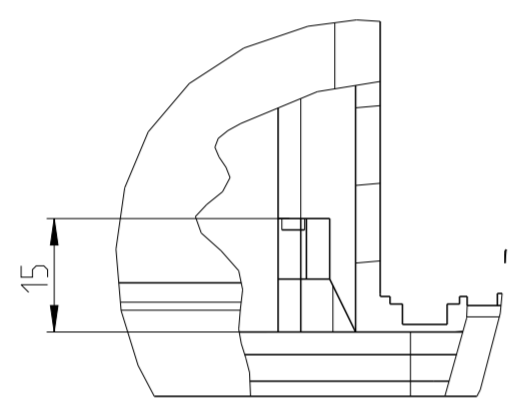


THIS DRAWING IS UNPUBLISHED. RELEASED FOR PUBLICATION 2006
 © COPYRIGHT 2006 BY - ALL RIGHTS RESERVED.

REVISIONS					
P	LTR	DESCRIPTION	DATE	DWN	APVD
B5		ECR-10-009777	24 JUN2010	GW	AR
B6		ECR-16-009335	06 JAN2016	GCM	MKO



DETAIL A (1:1)
ONLY PN 0-9



1-2	1-1	0-9	0-6	0-5	0-4	0-3	0-2	0-1	DESCRIPTION	MATERIAL	SURFACE	COLOR	NOTE	ITEM
									CONNECTOR HOUSING HIP-EMV-HF	ALU	CHROMIT AL TCP PASSIVATION	BLACK	WITHOUT LOGO / THREAD	13
									CONNECTOR HOUSING HIP-HF	ALU	HARD-COAT	BLACK	WITHOUT LOGO / THREAD	12
									CONNECTOR HOUSING EMV-K	ALU	CHROMIT AL TCP PASSIVATION	BLACK	2xM40	11
									PANE	STAINL. STEEL	VA	SILVER	B6.4	8
									SCREW	STAINL. STEEL	VA	SILVER	DIN EN ISO 4762-M6x30	7
									CONNECTOR HOUSING HIP-HF	ALU	HARD COAT	BLACK	2xM40+1xM16	6
									CONNECTOR HOUSING EMV-HF	ALU	CHROMIT AL TCP PASSIVATION	BLACK	2xM40+1xM16	5
									CONNECTOR HOUSING HIP-HF	ALU	HARD COAT	BLACK	1xM50	4
									CONNECTOR HOUSING EMV-HF	ALU	CHROMIT AL TCP PASSIVATION	BLACK	1xM50	3
									CONNECTOR HOUSING HIP-HF	ALU	HARD COAT	BLACK	2xM40	2
									CONNECTOR HOUSING EMV-HF	ALU	CHROMIT AL TCP PASSIVATION	BLACK	2xM40	1
									HF-EMV-K.8.STO.2.M40.G					X
									HF-HIP-K.8.STO.2.M40.G					X
									HF-EMV-K.8.STO.1.M50.G					X
									HF-HIP-K.8.STO.1.M50.G					X
									HF-EMV-K.8.STO.2.M40.G+1.M16.G					X
									HF-HIP-K.8.STO.2.M40.G+1.M16.G					X
									HF-EMV-K.8.STO.2.M40.G.S0					X
									HF-HIP-K.8.ST-N					X
									HF-EMV-K.8.ST-N					X

- NOTES
- 1 PN 0-9 ONLY BE USED WITH HF 8 CONTACTS AND ACCESSOIRES
 - 2 PACKAGING: 5 PIECES IN A CARTON

THIS DRAWING IS A CONTROLLED DOCUMENT.

DIMENSIONS: mm	TOLERANCES UNLESS OTHERWISE SPECIFIED:	DWN: G.WROBLEWSKI 24 JUN2010	 TE Connectivity
		CHK: A.ROESGEN 24 JUN2010	
		APVD: T.SCHNURPFEL 24 JUN2010	
		PRODUCT SPEC: 108-74030	
		APPLICATION SPEC: 114-74036	NAME: HOOD SERIES HF, SIZE 8
MATERIAL: -	FINISH: -	WEIGHT: 0.683	SIZE: A2
		CUSTOMER DRAWING	CAGE CODE: 00779
			DRAWING NO: C-1102839
			RESTRICTED TO: -
			SCALE: 1:1
			SHEET: 1 OF 1
			REV: B6

Mouser Electronics

Authorized Distributor

Click to View Pricing, Inventory, Delivery & Lifecycle Information:

[TE Connectivity:](#)

[1102839-2](#)