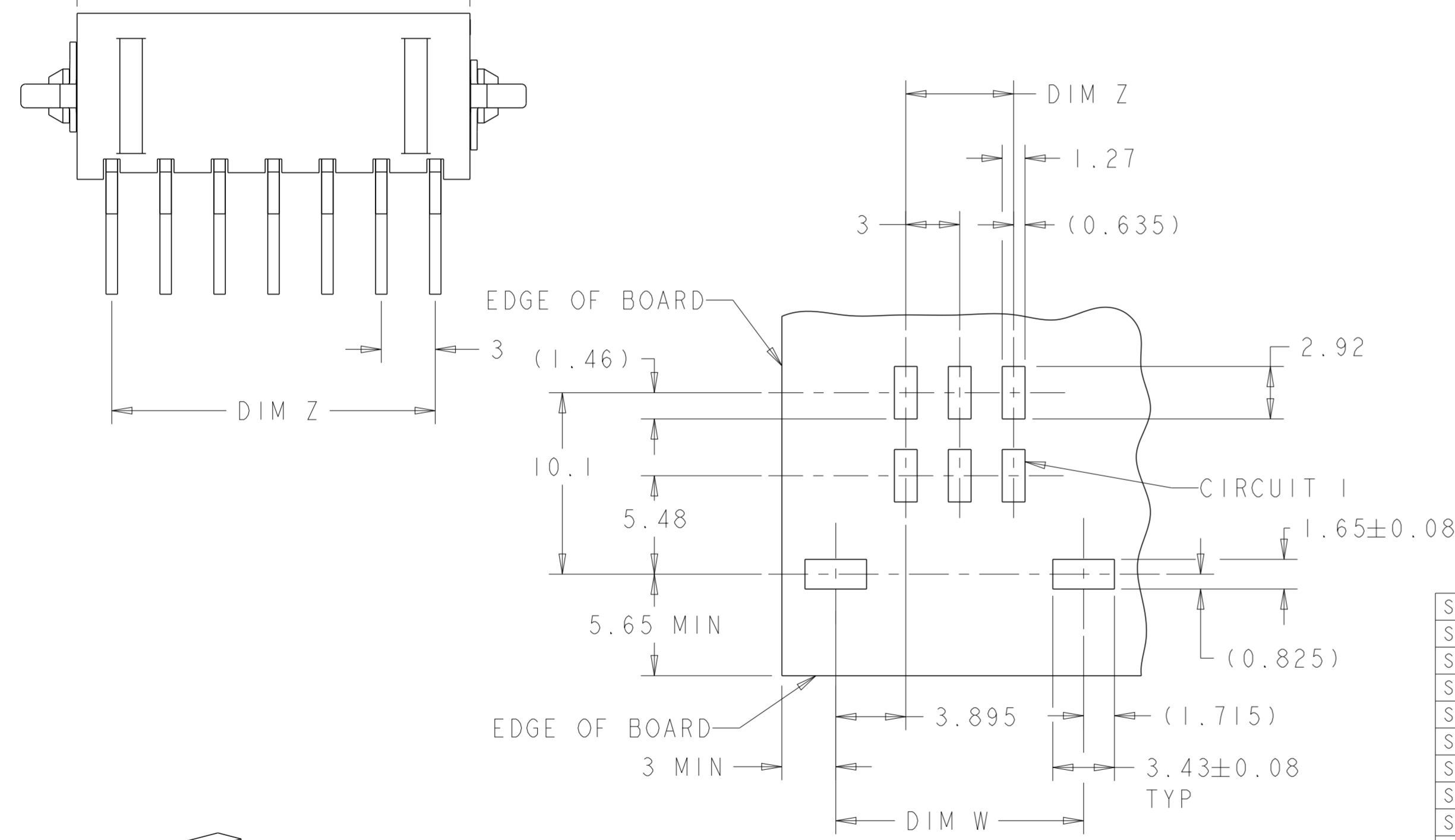
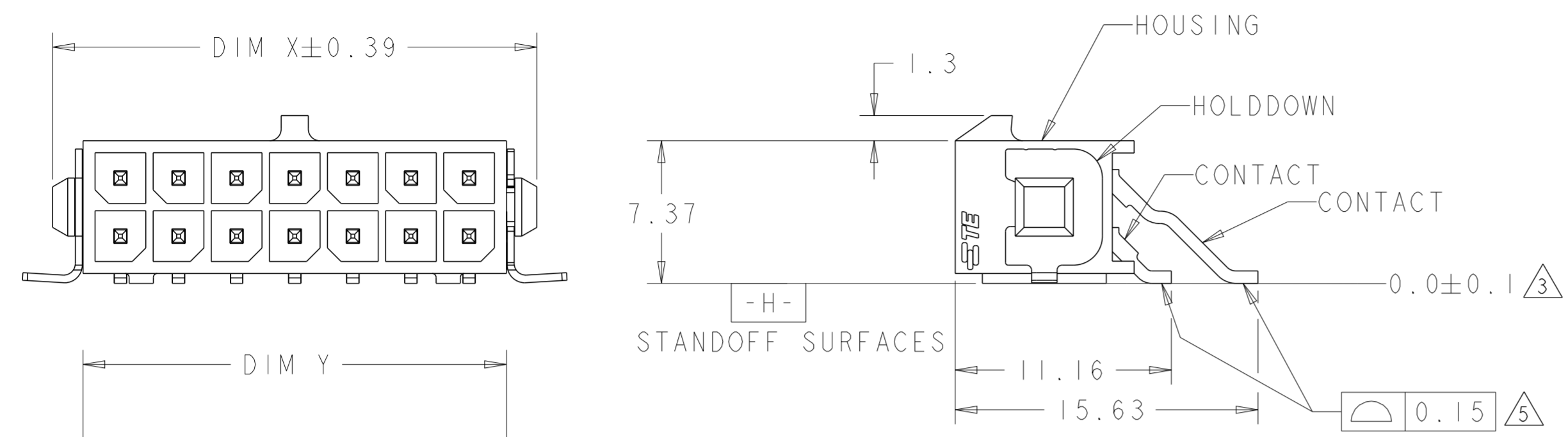


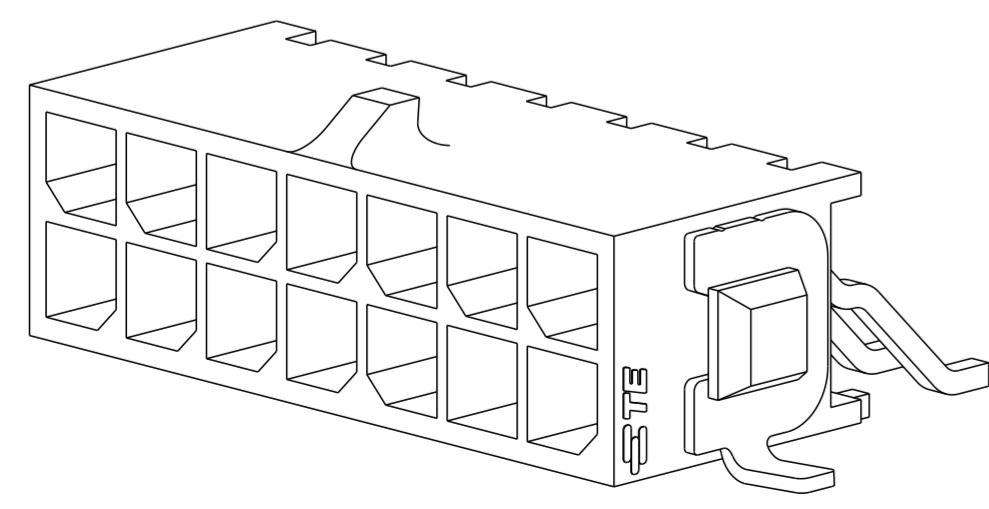
THIS DRAWING IS UNPUBLISHED. RELEASED FOR PUBLICATION 20
 © COPYRIGHT 20 BY - ALL RIGHTS RESERVED.

REVISIONS					
P	LTR	DESCRIPTION	DATE	DWN	APVD
	J1	REVISED PER ECR-16-011494	23JUN2017	NK	CX



- ① MATERIAL;
CONTACTS - BRASS.
HOUSING - UL 94V-0 RATED HIGH TEMP NYLON,
COLOR; BLACK.
HOLD DOWNS - PHOSPHOR BRONZE.
- ② FINISH;
CONTACTS - 2.54µm MINIMUM TIN-LEAD OVER 1.27µm
MINIMUM NICKEL.
HOLD DOWNS - 2.54µm TIN-LEAD.
- ③ DIMENSION APPLIES TO SOLDER TAIL SURFACES
AND STANDOFF SURFACES.
- ④ RECOMMENDED PC BOARD THICKNESS OF 1.57.
- ⑤ ALL SOLDER TAILS AND HOLD DOWNS.
- ⑥ FINISH;
CONTACTS - 2.54µm MINIMUM MATTE TIN OVER 1.27µm
MINIMUM NICKEL.
HOLD DOWNS - 2.54µm MINIMUM MATTE TIN.

⑥	36.86	40.79	33.00	40.00	24	5-794627-4
	33.86	37.79	30.00	37.00	22	5-794627-2
	30.86	34.79	27.00	34.00	20	5-794627-0
	27.86	31.79	24.00	31.00	18	4-794627-8
	24.86	28.79	21.00	28.00	16	4-794627-6
	21.86	25.79	18.00	25.00	14	4-794627-4
	18.86	22.79	15.00	22.00	12	4-794627-2
	15.86	19.79	12.00	19.00	10	4-794627-0
	12.86	16.79	9.00	16.00	8	3-794627-8
	9.86	13.79	6.00	13.00	6	3-794627-6
	6.86	10.79	3.00	10.00	4	3-794627-4
	3.86	7.79	-	7.00	2	3-794627-2
②	36.86	40.79	33.00	40.00	24	2-794627-4
	33.86	37.79	30.00	37.00	22	2-794627-2
	30.86	34.79	27.00	34.00	20	2-794627-0
	27.86	31.79	24.00	31.00	18	1-794627-8
	24.86	28.79	21.00	28.00	16	1-794627-6
	21.86	25.79	18.00	25.00	14	1-794627-4
	18.86	22.79	15.00	22.00	12	1-794627-2
	15.86	19.79	12.00	19.00	10	1-794627-0
	12.86	16.79	9.00	16.00	8	794627-8
	9.86	13.79	6.00	13.00	6	794627-6
	6.86	10.79	3.00	10.00	4	794627-4
	3.86	7.79	-	7.00	2	794627-2



SCALE 5:1

RECOMMENDED PCB LAYOUT ④
(COMPONENT SIDE)

THIS DRAWING IS A CONTROLLED DOCUMENT.		DWN S. HOOVER 23-MAR-2005	TE Connectivity			
DIMENSIONS: mm		CHK C. JONES 23-MAR-2005				
TOLERANCES UNLESS OTHERWISE SPECIFIED:		APVD C. JONES 23-MAR-2005				
0 PLC ± 1 PLC ± 2 PLC ±0.13 3 PLC ± 4 PLC ± ANGLES ± FINISH SEE TABLE		PRODUCT SPEC - APPLICATION SPEC - WEIGHT - CUSTOMER DRAWING				
MATERIAL ①		NAME SURFACE MOUNT, RIGHT ANGLE, SURFACE MOUNT HOLD DOWN, ASSEMBLY, TIN HEADER, DUAL ROW, MICRO MATE-N-LOK (TM)	SIZE A2	CAGE CODE 00779	DRAWING NO. C-794627	RESTRICTED TO -
SCALE 4:1			SHEET 1	OF 1	REV J1	

Mouser Electronics

Authorized Distributor

Click to View Pricing, Inventory, Delivery & Lifecycle Information:

[TE Connectivity:](#)

[4-794627-8](#)