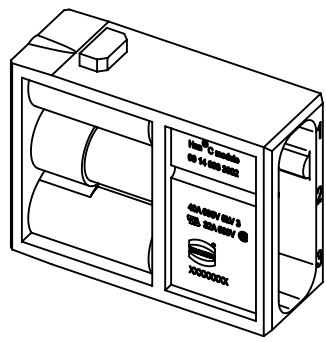


Wire diameter over insulation $\leq 4,8\text{mm}$ stripping length 9,5mm
 $> 4,8\text{mm}$ stripping length 12mm

For wires with maximum wire diameter over insulation up to 7,8 mm



	All Dimensions in mm Original Size DIN A4	Scale 1:1	Free size tol.			Ref.	
		All rights reserved	Created by HELLMANN	Inspected by NICHTERLEIN	Standardisation SCHMIDTM	Date 2018-04-27	State Final Release
Department EL PD - DE		Title Han C module, crimp male			Doc-Key / ECM-Nr. 100086336/UGD/014/E 500000134561		
HARTING Electric GmbH & Co. KG D-32339 Espelkamp		Type TB	Number 09 14 003 3002			Rev. E	Page 1/1

Mouser Electronics

Authorized Distributor

Click to View Pricing, Inventory, Delivery & Lifecycle Information:

[HARTING:](#)

[09140033002](#)