

Relay Adapters



DIN Rail Adapters



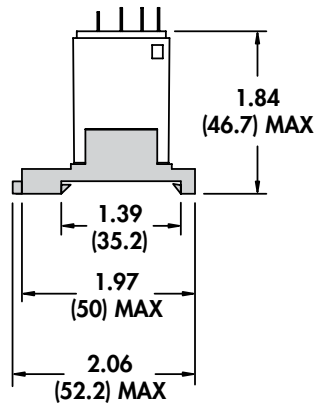
SECTION 3

Characteristics	16-781C	16-782C	16-783C	16-784C
Package Style	C	C	C	C
Function	Mount Relay Directly to DIN Rail	Mount Relay Directly to DIN Rail	Mount Relay Directly to DIN Rail	Mount Relay Directly to DIN Rail
Mating Relays	781XAX (Sec. 1, p.10-11)	All 782s (Sec. 1, p.12-18)	783XCX (Sec. 1, p.19-20)	784XDX (Sec. 1, p.20-22)

Relay DIN Adapters

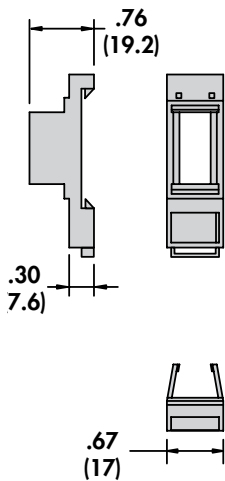
There is No Need to Purchase a Socket.

- DIN mounting.
- Plastic construction.
- Light weight.
- Low cost.
- Low profile.
- Write-On label.
- Narrow mounting.
- Easy termination.

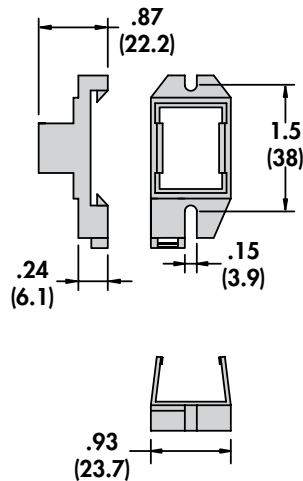


DIN Rail Adapters allow the 700 Series relays to be direct mounted on a DIN rail.

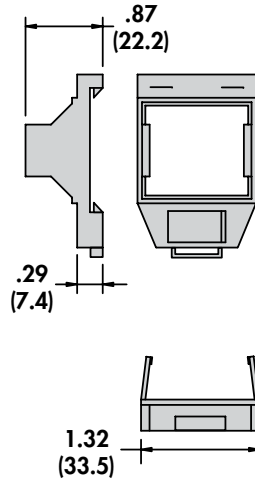
16-781C



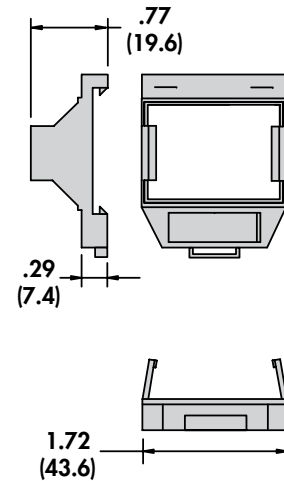
16-782C



16-783C



16-784C





Top/Bottom Flange Adapters

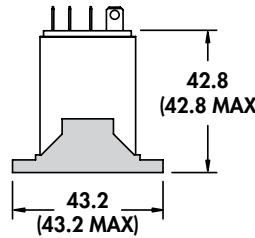


Characteristics	16-781C1	16-782C1	16-783C1	16-784C1
Package Style	C1	C1	C1	C1
Function	Mount Relay Directly to Panel	Mount Relay Directly to Panel	Mount Relay Directly to Panel	Mount Relay Directly to Panel
Mating Relays	781XAX (Sec. 1, p.10-11)	All 782s (Sec. 1, p.12-18)	783XCX (Sec. 1, p.19-20)	784XDX (Sec. 1, p.20-22)

Relay Flange Adapters

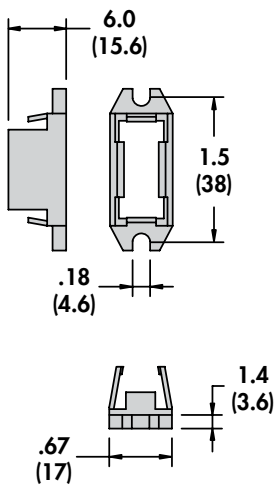
There is No Need to Purchase a Socket.

- Flange mounting.
- Plastic construction.
- Light weight.
- Low cost.
- Low profile.
- Narrow mounting.
- Easy termination.

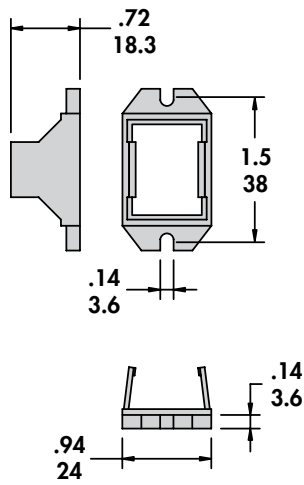


Top/Bottom Flange Adapters allow the 700 Series relays to be direct mounted on a panel.

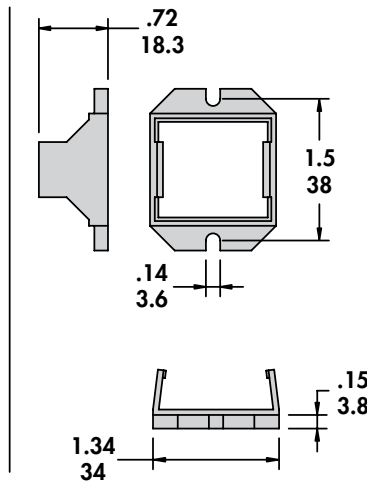
16-781C1



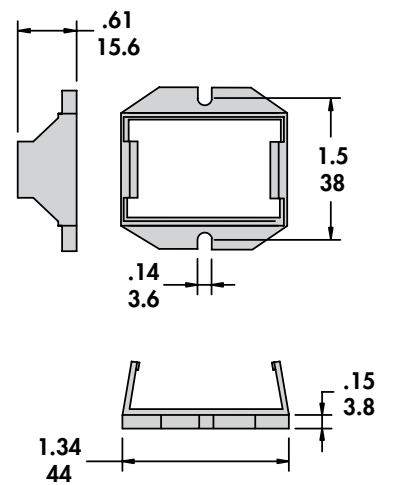
16-782C1



16-783C1



16-784C1



Relay Adapters *continued*



Flange Adapter



DIN Rail Adapter

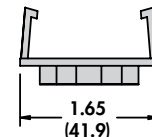
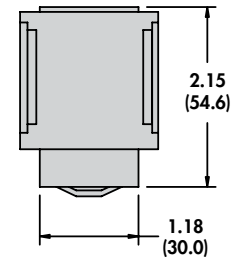
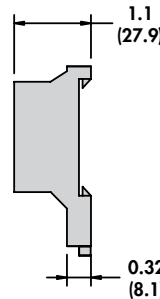
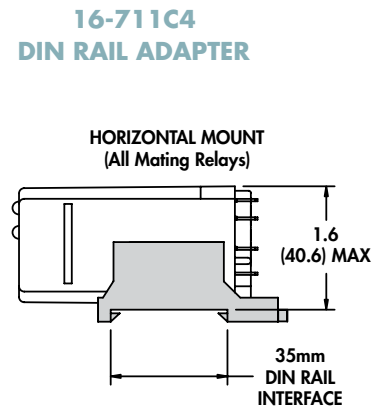
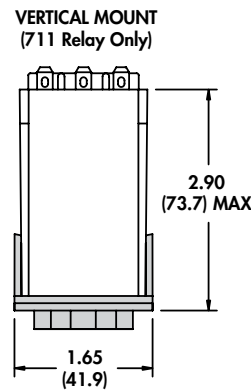
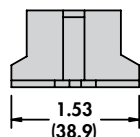
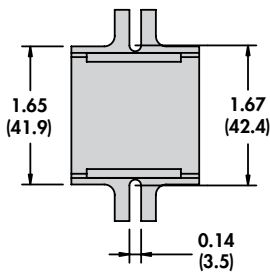
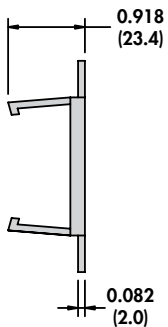
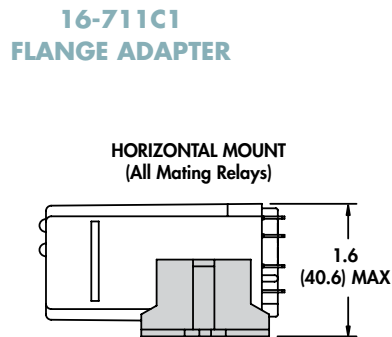
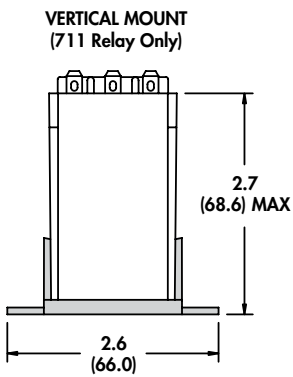


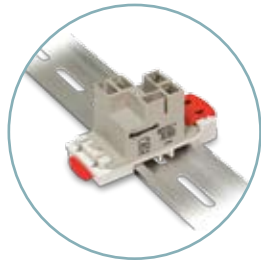
SECTION 3

Characteristics	16-711C1	16-711C4
Function	Mount Relay Directly to Panel	Mount Relay Directly to DIN Rail
Mating Relays	711 (Sec. 7, p.4-5) 712 (Sec. 7, p.6-11) TDRSRX/SOX (Sec. 5, p.22-27)	711 (Sec. 7, p.4-5) 712 (Sec. 7, p.6-11) TDRSRX/SOX (Sec. 5, p.22-27)

16-711 Adapters allow the 711, 712, TDRSRX/SOX Series relays to be directly mounted to a panel or on a DIN rail. There is no need to purchase a socket.

- DIN or Panel Mounting.
- Plastic Construction.
- Light Weight.
- Low Cost.
- Low Profile.
- Narrow Mounting.
- Easy Termination.





Characteristics

16-9ADIN-1

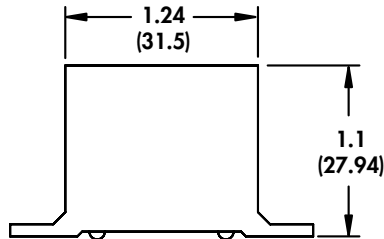
Function

Creates a Solid Base which Allows the W9A to be Mounted Directly to the DIN Rail

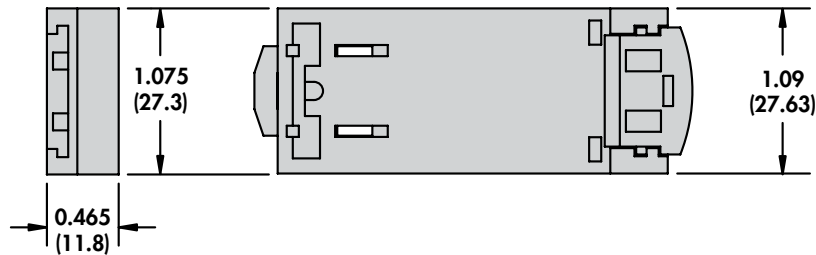
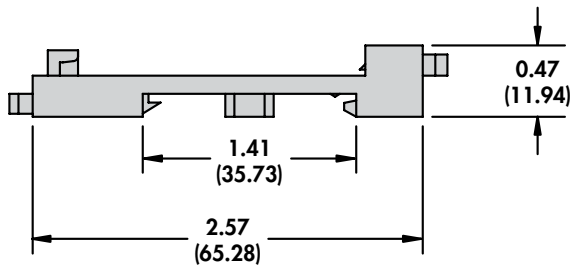
Mating Relay

W9A (Sec. 6, p.22-25)

**W9A
POWER RELAY**



**16-9ADIN-1
DIN RAIL ADAPTER**



Mouser Electronics

Authorized Distributor

Click to View Pricing, Inventory, Delivery & Lifecycle Information:

[Schneider Electric:](#)

[16-781C1](#) [16-782C1](#) [16-784C](#) [16-784C1](#) [16-782C](#)