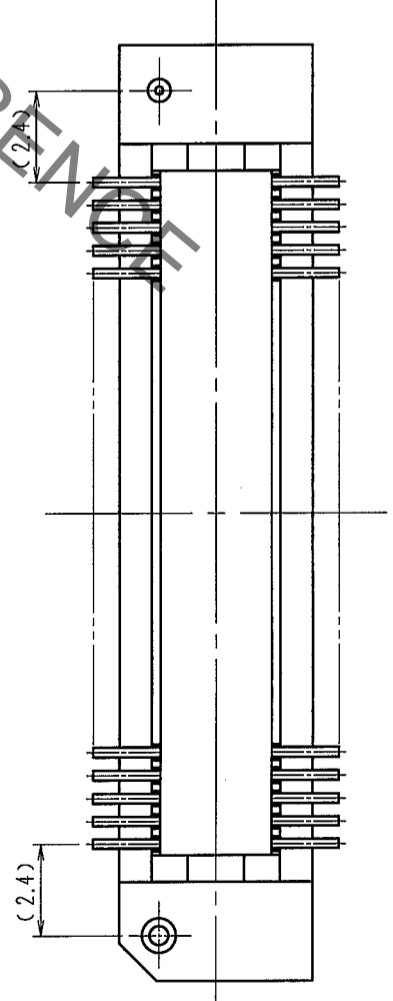
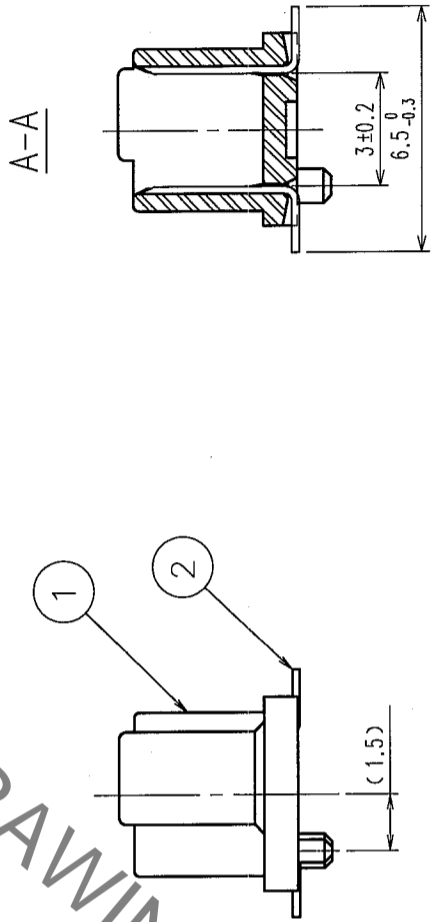
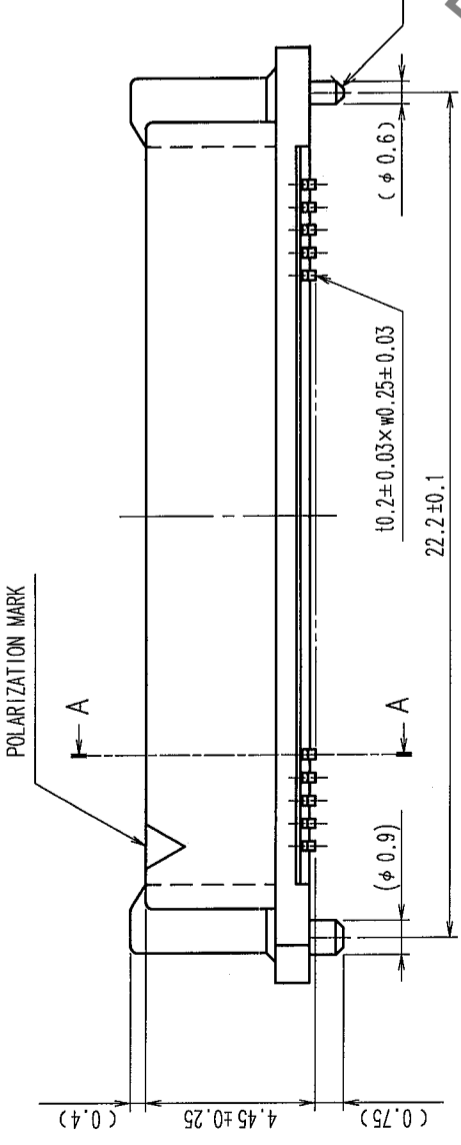
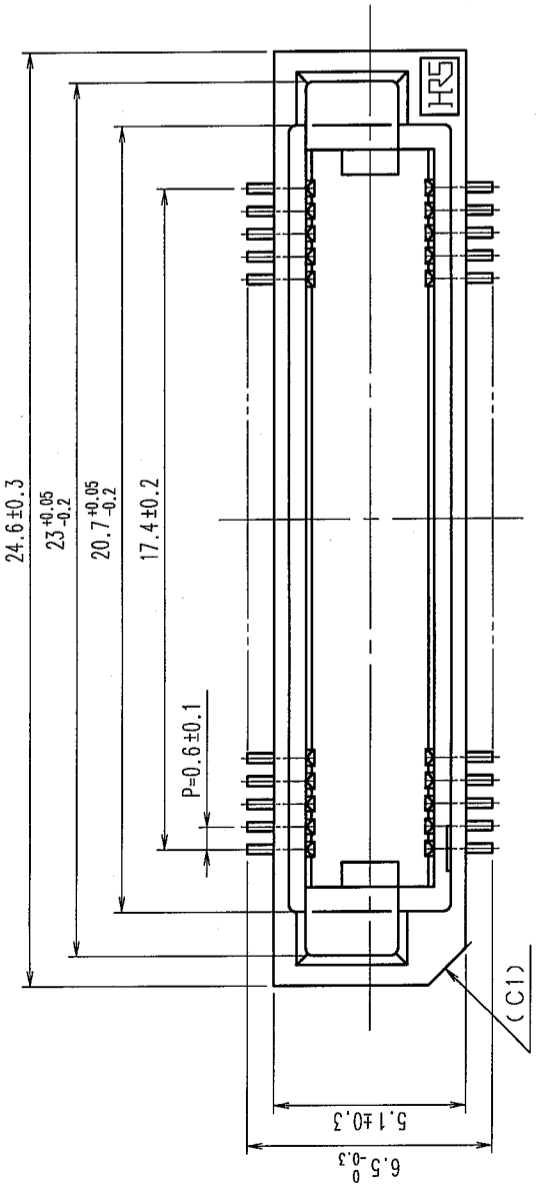
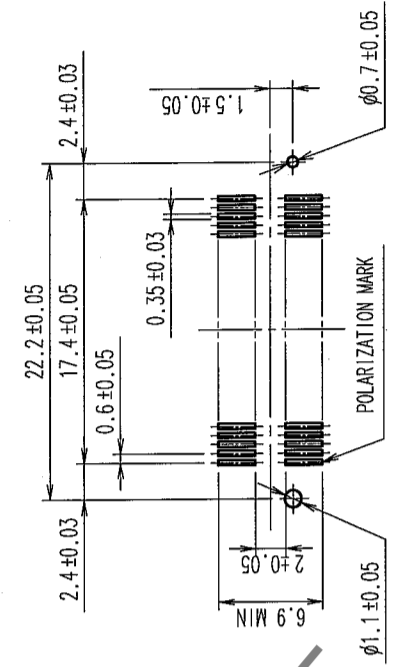


COUNT	DESCRIPTION OF REVISIONS	BY	CHKD	DATE	COUNT	DESCRIPTION OF REVISIONS	BY	CHKD	DATE
△					△				
△					△				
△					△				

RECOMMENDED LAND PATTERN DIMENSION OF PCB (MOUNTING SIDE) (2:1)



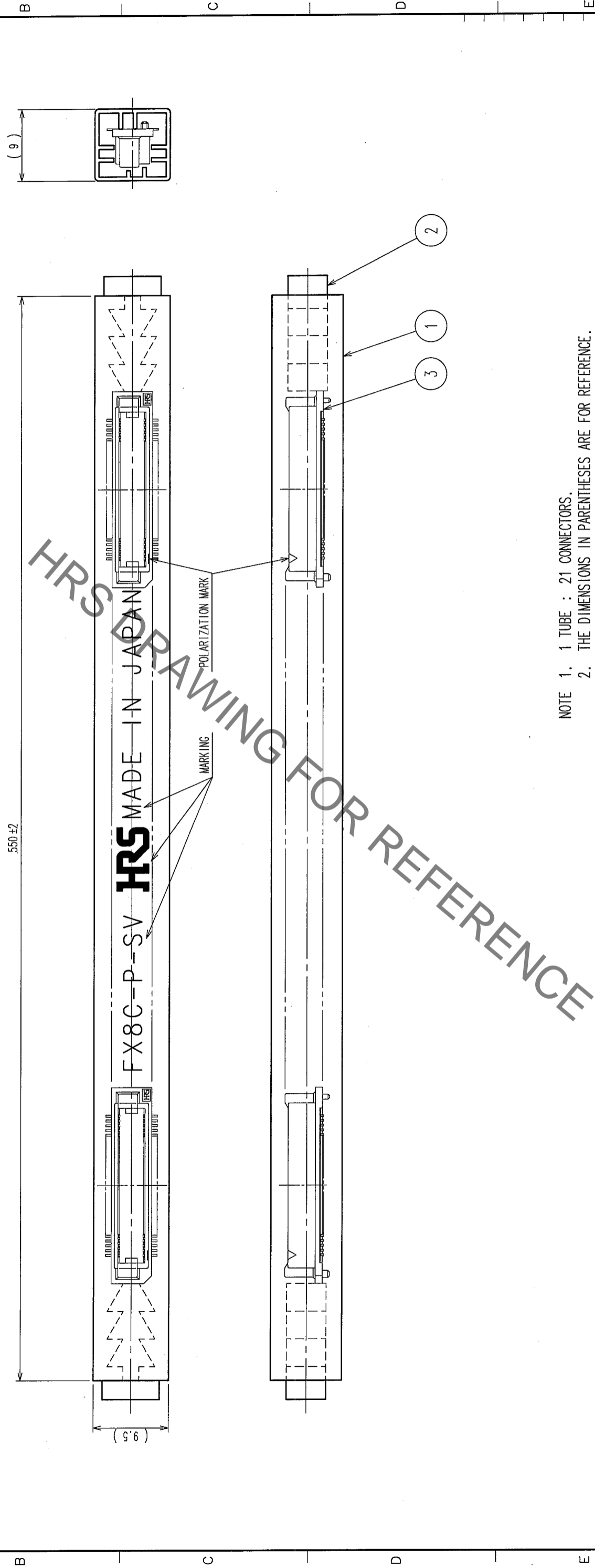
NOTE. 1. LEAD CO-PLANARITY SHALL BE 0.1mm MAX.  
 2. TUBE PACKAGING SHALL BE APPLIED FOR THIS PRODUCT.  
 SEE NEXT PAGE FOR DETAILS.  
 3. FOR MODIFICATION, ETC., PREVENTIVE HOLE FOR SINK MARK MAY BE ADDED ACCORDING TO CIRCUMSTANCES.  
 4. THE DIMENSIONS IN PARENTHESES ARE FOR REFERENCE.

1	PPS	LIGHT BROWN (UL94V-0)	2	PHOSPHOR BRONZE	CONTACT AREA: GOLD 0.1μm min. LEAD AREA: GOLD FLASH
NO.	MATERIAL	FINISH, REMARKS	NO.	MATERIAL	FINISH, REMARKS
CODE NO. (COLD) CL			DESIGNED	CHECKED	APPROVED
			K. NAKAMURA	K. NAKAMURA	H. Okawa
			05.12.09	05.12.09	05.12.12
DRAWING NO. EDC3-150821-21			PART NO. FX8C-60P-SV(91)		
SCALE 5:1			CODE NO. CL578-0501-9-91		
UNITS mm			FORM NO. 229		

TO	
PCK	

HRS DRAWING FOR REFERENCE

1	2	3	4	5	6	7	8		
COUNT	DESCRIPTION OF REVISIONS	BY	CHKD	DATE	COUNT	DESCRIPTION OF REVISIONS	BY	CHKD	DATE
△					△				
△					△				
△					△				



NOTE 1. 1 TUBE : 21 CONNECTORS.  
 2. THE DIMENSIONS IN PARENTHESSES ARE FOR REFERENCE.

2 POLYVINYL CHLORIDE ( STOPPER )		3 ( CONNECTOR )						
NO.	MATERIAL	FINISH, REMARKS	NO.	MATERIAL	FINISH, REMARKS			
1	POLYVINYL CHLORIDE	( TUBE )	1	POLYVINYL CHLORIDE	( TUBE )			
CODE NO. ( OLD )		CL	DRAWN		DESIGNED	CHECKED	APPROVED	RELEASED
			K. NAKAMURA		K. NAKAMURA	<i>K. Nakamura</i>	<i>H. Okawa</i>	
			05.12.09		05.12.09	05.12.12	05.12.12	
DRAWING NO.		EDC3-150821-21		PART NO.		FX8C-60P-SV (91)		
SCALE		FREE		CODE NO.		CL578-0501-9-91		2
UNITS		mm		HIROSE ELECTRIC CO., LTD				

TO	
PCK	