

Accessories - MSTBC-MT 0,2-0,5 - 1879531

Please be informed that the data shown in this PDF Document is generated from our Online Catalog. Please find the complete data in the user's documentation. Our General Terms of Use for Downloads are valid (<http://phoenixcontact.com/download>)



Module socket contact, is inserted into the plug housing MSTBC after crimping the conductor, for conductors from 0.2 to 0.5 mm²



Key Commercial Data

Packing unit	1 pc
Minimum order quantity	100 pc
Weight per Piece (excluding packing)	0.4 g
Custom tariff number	85366990
Country of origin	Germany

Technical data

General

Nominal current	9 A (with 0.5 mm ² conductor cross section)
Conductor cross section flexible min.	0.2 mm ²
Max. conductor cross section, flexible	0.5 mm ²

Connection data

Core diameter including insulation	1.15 mm ... 2.3 mm
Stripping length of individual wires	3 mm

Material data

Contact material	CuFe
Contact surface material	Tin-plated

Classifications

eCl@ss

eCl@ss 4.0	272607xx
------------	----------

Accessories - MSTBC-MT 0,2-0,5 - 1879531

Classifications

eCl@ss

eCl@ss 4.1	27260701
eCl@ss 5.0	27260701
eCl@ss 5.1	27260701
eCl@ss 6.0	27260704
eCl@ss 7.0	27440402
eCl@ss 8.0	27440309
eCl@ss 9.0	27440309

ETIM

ETIM 3.0	EC001121
ETIM 4.0	EC001121
ETIM 5.0	EC002641

UNSPSC

UNSPSC 6.01	30211810
UNSPSC 7.0901	39121410
UNSPSC 11	39121409
UNSPSC 12.01	39121409
UNSPSC 13.2	39121409

Approvals

Approvals

Approvals

EAC

Ex Approvals

Approvals submitted

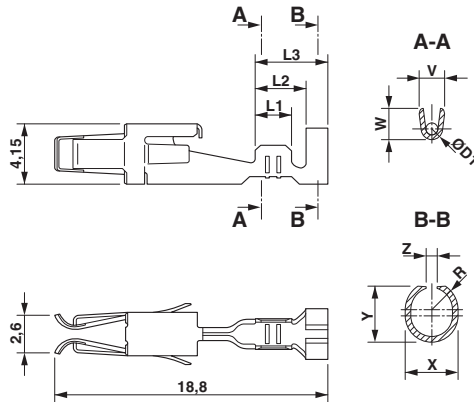
Approval details

EAC

Drawings

Accessories - MSTBC-MT 0,2-0,5 - 1879531

Dimensional drawing



Mouser Electronics

Authorized Distributor

Click to View Pricing, Inventory, Delivery & Lifecycle Information:

[Phoenix Contact:](#)

[1879531](#)