

THIS DRAWING IS UNPUBLISHED.

RELEASED FOR PUBLICATION

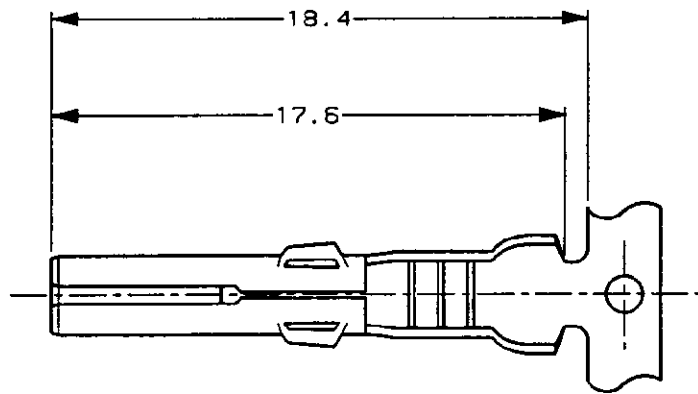
© COPYRIGHT

ALL RIGHTS RESERVED.

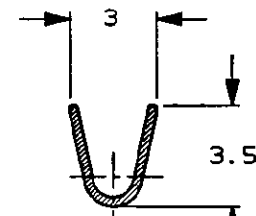
LOC DIST J

REVISIONS

P	LTR	DESCRIPTION	DATE	DWN	APVD
C1		REVISED PER ECO-11-005294	05APR11	RK	HMR



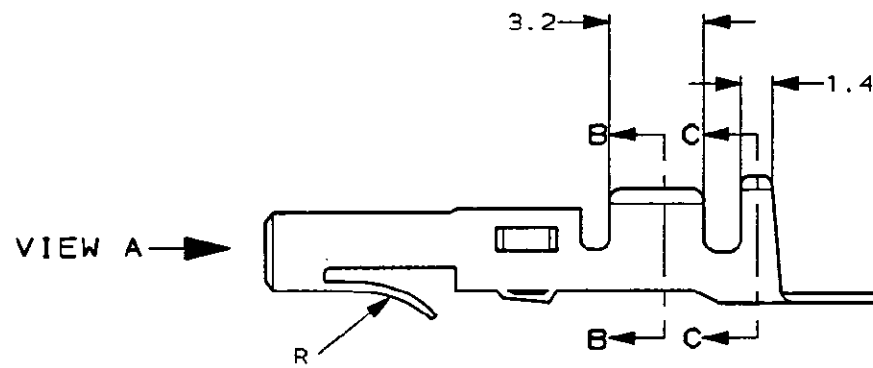
VIEW A



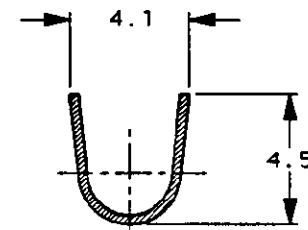
SECT B-B

注記
 △ 製品規格 108-5037

NOTE
 △ PRODUCT SPEC. 108-5037



VIEW A



SECT C-C

170120-4	リン青銅	0.32t	錫めっき済	170121-4
170120-1	黄銅	0.32t	錫めっき済	170121-1
型番	材料		仕上	LP型番

DIMENSIONS 単位: 概 mm		TOLERANCES UNLESS OTHERWISE SPECIFIED	
		一般公差	±0.2
		10% >10	±0.25
		30% >30	±0.3
		100% >30	±0.3
ANGLE: ±0.3°			
MATERIAL 材料	FINISH 仕上	WEIGHT	CUSTOMER DRAWING
SEE TABLE 表参照		SEE TABLE 表参照	

WIRE RANGE 包合電線断面積 0.50-2.27mm ² /AWG#20-#14	INSULATION DIA 被覆外径 MAX 3.3mm 最大 3.3mm
---	---

STE TE Connectivity

MATE-N-LOK SOCKET
 メイテンロック ソケット

SIZE	CAGE CODE	DRAWING NO
A3	00779	C-170120

SCALE 尺度 4-1	SHEET 1 OF 1	REV C1
-----------------	-----------------	-----------

Mouser Electronics

Authorized Distributor

Click to View Pricing, Inventory, Delivery & Lifecycle Information:

[TE Connectivity:](#)

[170120-4](#)