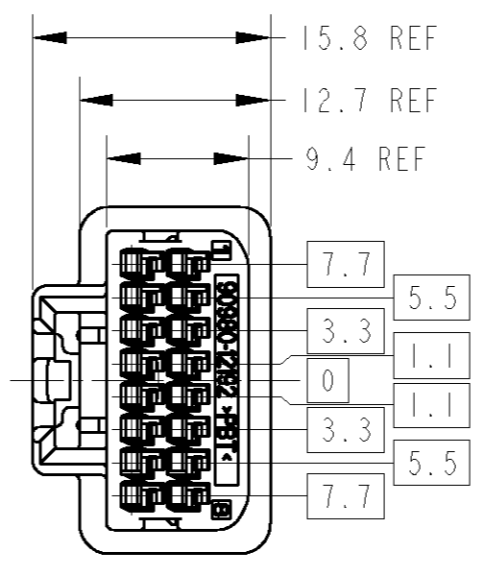
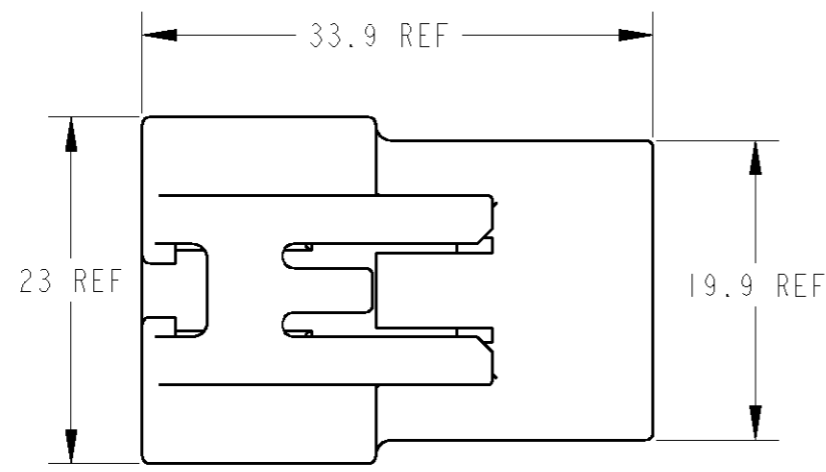
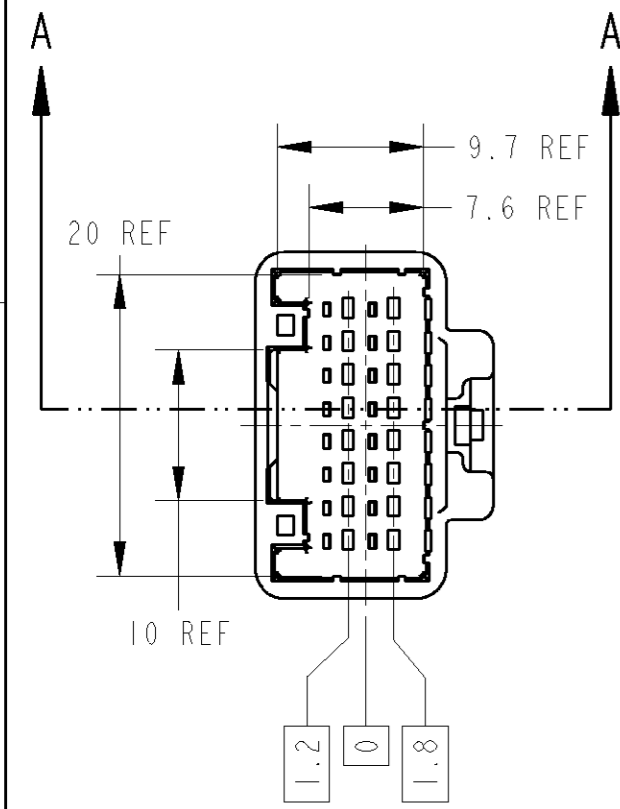


THIS DRAWING IS UNPUBLISHED. RELEASED FOR PUBLICATION .19
 (C) COPYRIGHT 19 BY AMP INCORPORATED. ALL RIGHTS RESERVED.

LOC	DIST	REVISIONS						
J	-	P	LTR	DESCRIPTION	ECN	DATE	DWN	APVD
			O	RELEASED	FJ00-2100-99	26-Apr-00	T.K	N.S
			A	REVISED	FJ00-0961-00	11-Jul-00	T.K	N.S
			AI	REVISED	FJ00-2527-01	20-Feb-02	T.K	N.S



嵌合相手側アブラケット形状 MATING BRACKET DWG.

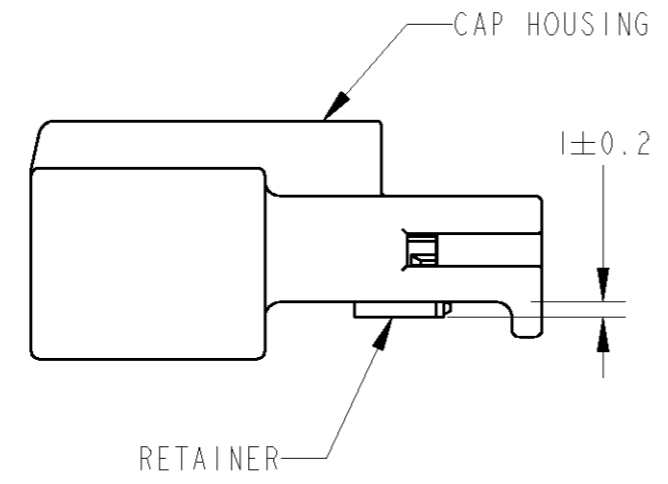
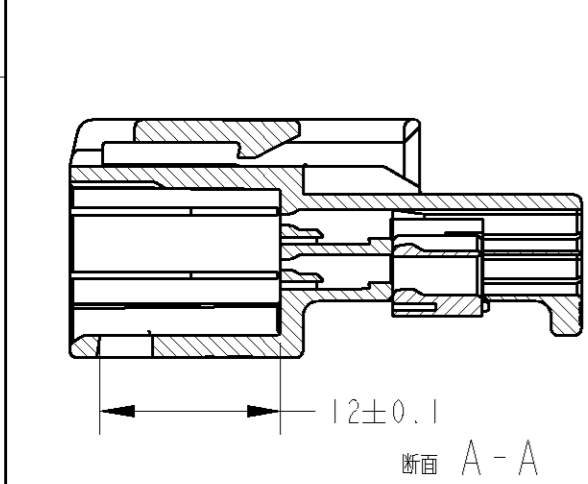
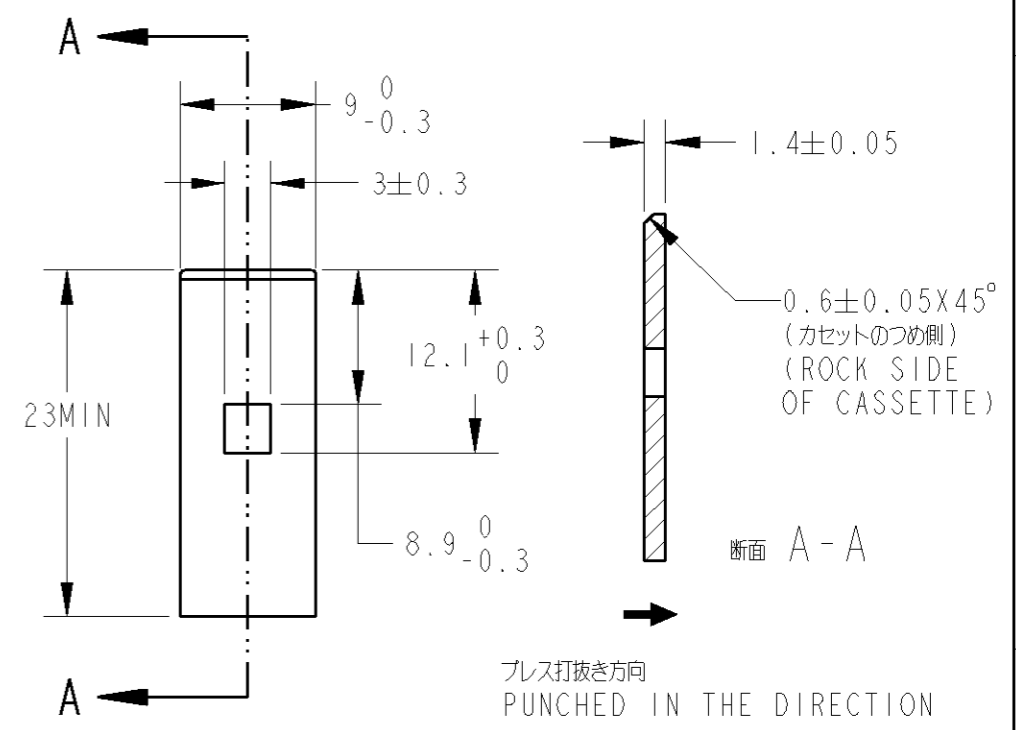


TABLE-2

	TERMINAL NO 適用型番	APPLICABLE WIRE RANGE 適用電線
SIGNAL 025	TIN	1376109-1 AVSS/CAVS/CAVUS/AVSSH-f 0.3~0.5mm ²

TABLE-1

POS 極数	PLUG ASSEMBLY PART NO プラグ 型番
16	1318386

PAPER BOX ダンボール	PLASTIC BAG ビニール袋	NATURAL	1376106-1
OUTER 外表	INNER 内装	COLOR	PART NUMBER
PACKING STYLE 梱包形態			

1. プラグハウジングにダブルロックプレートを保険止して出荷される。
2. 仮係止時プレート突起がハウジングの外側に出ていること。
3. プレートの仮係止保持力; 30N MIN.
4. 取扱説明書 ; 411-5966
5. 嵌合相手型番はTABLE-1参照
6. 適用端子はTABLE-2参照

1. PLATE SHOULD BE SET TO THE PRE-ASSEMBLY POSITION WITHIN THE PLUG HOUSING WHEN SHIPPED TO THE CUSTOMER.
2. THE RETENTION LATCH OF THE PLATE MUST BE OUT SIDE OF PLUG HOUSING WHEN PRE-ASSEMBLY.
3. PLATE RETENSION FORCE FROM HOUSING: 30N MIN.
4. INSTRUCTION SHEET NO; 411-5966
5. PART NUMBER OF CAP HOUSING TO BE MATED; SEE TABLE-1
6. APPLIED TERMINAL; SEE TABLE-2

THIS DRAWING IS A CONTROLLED DOCUMENT FOR AMP INCORPORATED. IT IS SUBJECT TO CHANGE AND THE CONTROLLING ENGINEERING ORGANIZATION SHOULD BE CONTACTED FOR THE LATEST REVISION.

DIMENSIONS: 単位: 殆 mm	TOLERANCES UNLESS OTHERWISE SPECIFIED: 一般公差: ±0.3	DWN T. KOHNO 20-Feb-02	AMP Tyco Electronics Harrisburg, PA 17105-3608
	0-PLC ±	CHK N. SAI 20-Feb-02	
	1-PLC ±0.1	APVD K. SHIMIZU 20-Feb-02	
MATERIAL 材料 PBT	FINISH 仕上 SEE TABLE	PRODUCT SPEC 製品規格 108-5668	NAME 名称 025 SERIES 16 POSITION CAP ASSEMBLY
		APPLICATION SPEC 取付適用規格 114-5291	SIZE A3
		WEIGHT 4.7g	CAGE CODE 番号 00779
		CUSTOMER DRAWING	DRAWING NO C-1376106
			SCALE 尺度 2:1
			SHEET 1 OF 1
			REV A1

Mouser Electronics

Authorized Distributor

Click to View Pricing, Inventory, Delivery & Lifecycle Information:

[TE Connectivity:](#)

[1376106-1](#)