

THIS DRAWING IS UNPUBLISHED.

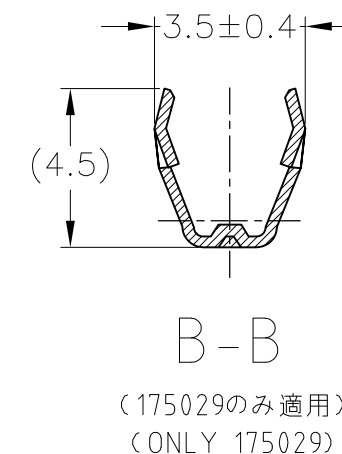
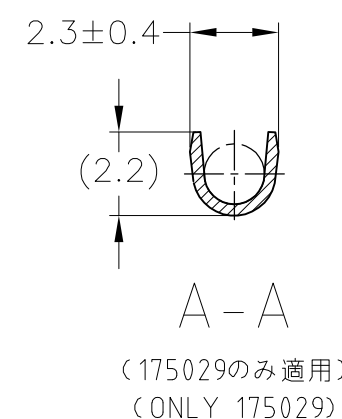
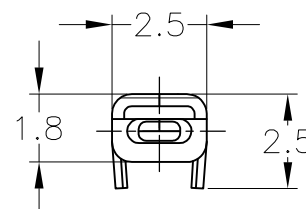
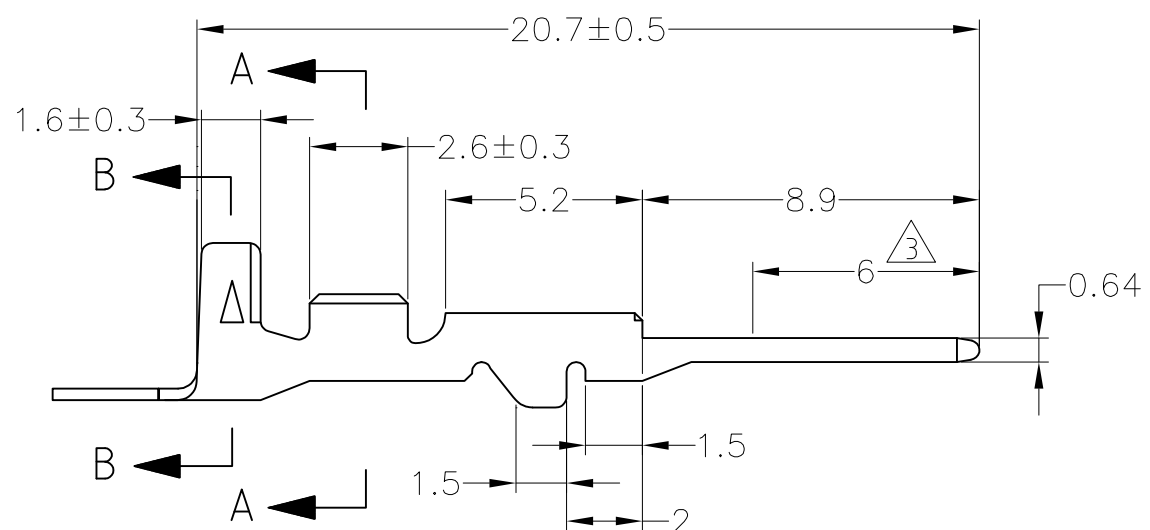
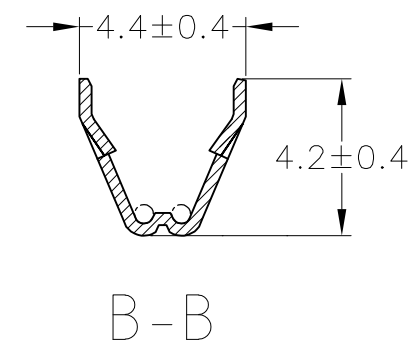
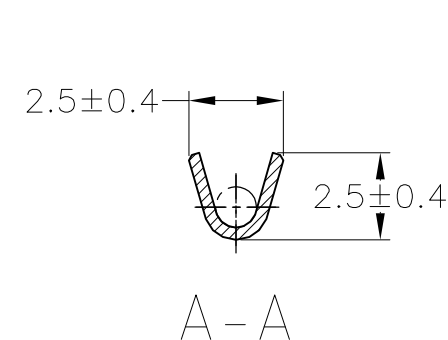
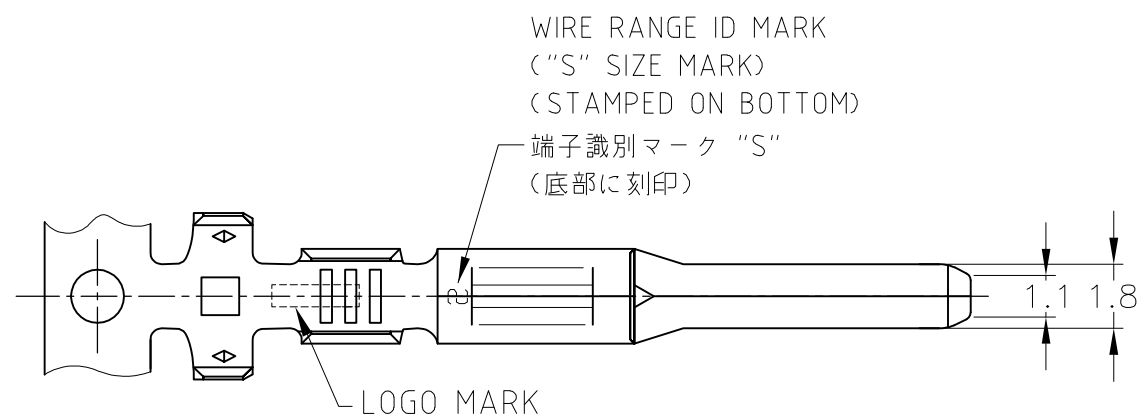
RELEASED FOR PUBLICATION DEC. 2017.

© COPYRIGHT 2017 By Tyco Electronics JAPAN G.K.

ALL RIGHTS RESERVED.

REVISIONS

P	LTR	DESCRIPTION	DATE	DWN	APVD
	E	REVISED	ECR-17-012605	25DEC2017	YN TK



- 1. 製品規格番号 ; 108-5231, 108-5264
- 2. 嵌合相手端子型番 ; 173630 他
- ③ 部分金めっき, 他はニッケルめっき

- 1. PRODUCT SPECIFICATION NO. ; 108-5231, 108-5264
- 2. RECEPTACLE CONTACT ; 173630 etc.
- ③ SELECTIVE GOLD PLATING, REMAINDER NICKEL PLATING

TOLERANCES UNLESS OTHERWISE SPECIFIED:	
10 ≥	: ±0.2
30 ≥	: ±0.25
100 ≥	: ±0.3
ANGLE : ±3°	

WIRE RANGE  
AVS 0.2~0.3mm<sup>2</sup>  
(AWG#24-#22)

INSULATION DIA.  
1.4~1.9mmφ

バラ端子型番  
LOOSE PIECE NUMBER

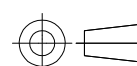
仕上げ  
FINISH

材料  
MATERIAL

型番  
PART NUMBER

THIS DRAWING IS A CONTROLLED DOCUMENT.

DIMENSIONS:  
mm



TOLERANCES UNLESS OTHERWISE SPECIFIED:

0 PLC	± -
1 PLC	± -
2 PLC	± -
3 PLC	± -
4 PLC	± -
ANGLES	± -
FINISH	± -

MATERIAL  
SEE TABLE

FINISH  
SEE TABLE

DWN T.SHINOHARA 14JUN2012

CHK K.BETSUI 14JUN2012

APVD K.BETSUI 14JUN2012

PRODUCT SPEC  
SEE NOTE 1

APPLICATION SPEC  
114-5092

WEIGHT  
0.3 g

NAME

SIZE

CAGE CODE

DRAWING NO

RESTRICTED TO

A300779

C=173633

CUSTOMER DRAWING

SCALE 5:1

SHEET 1 OF 1

REV E

**STE** TE Connectivity Ltd.

070 SERIES TAB CONTACT

# Mouser Electronics

Authorized Distributor

Click to View Pricing, Inventory, Delivery & Lifecycle Information:

[TE Connectivity:](#)

[173633-1](#)