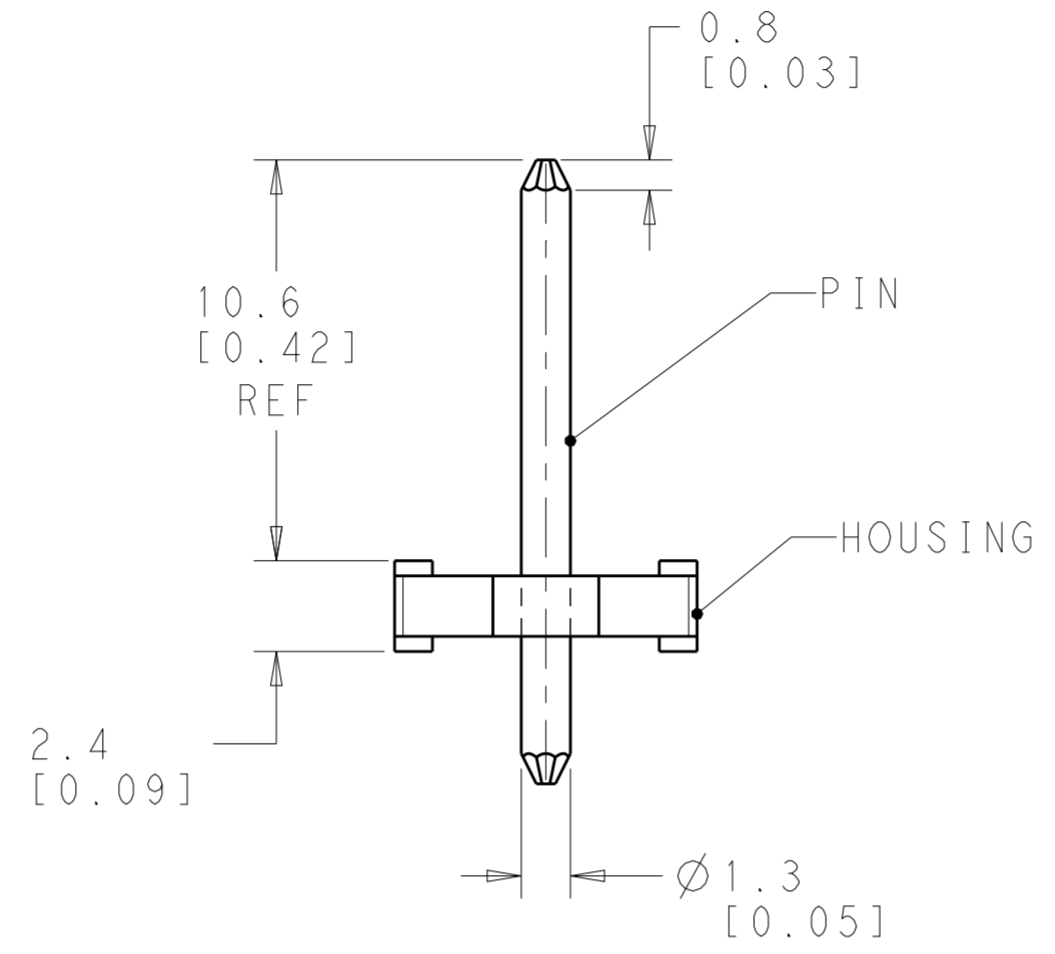
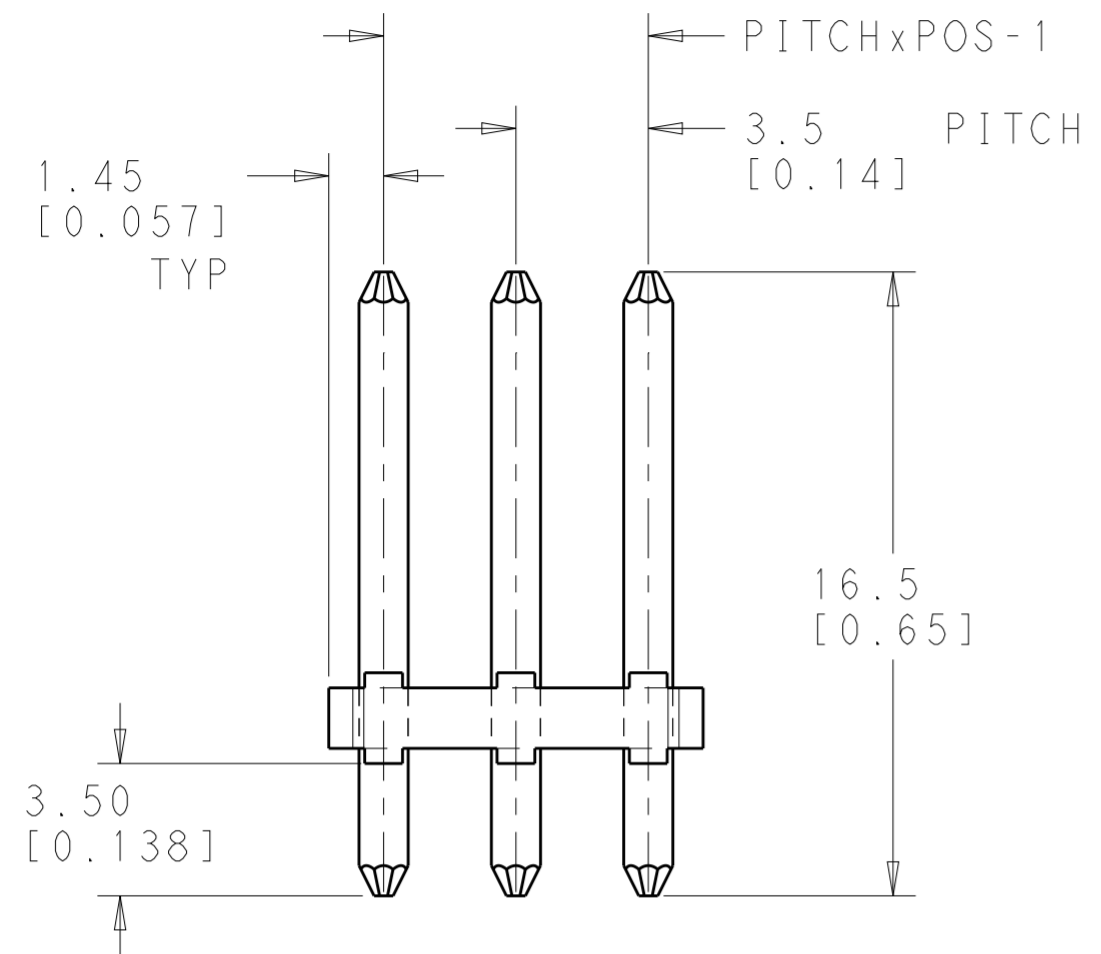


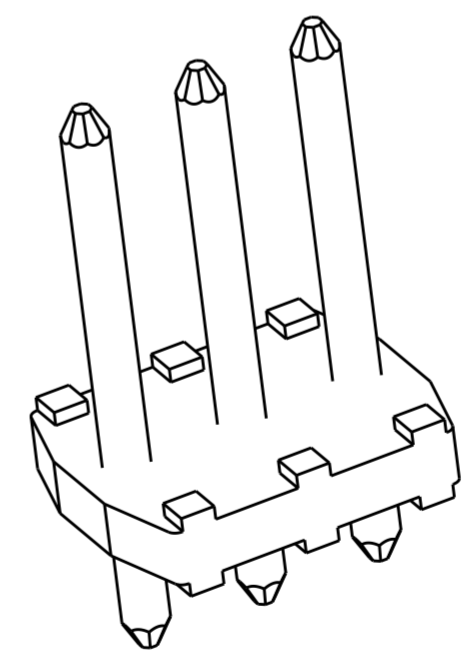
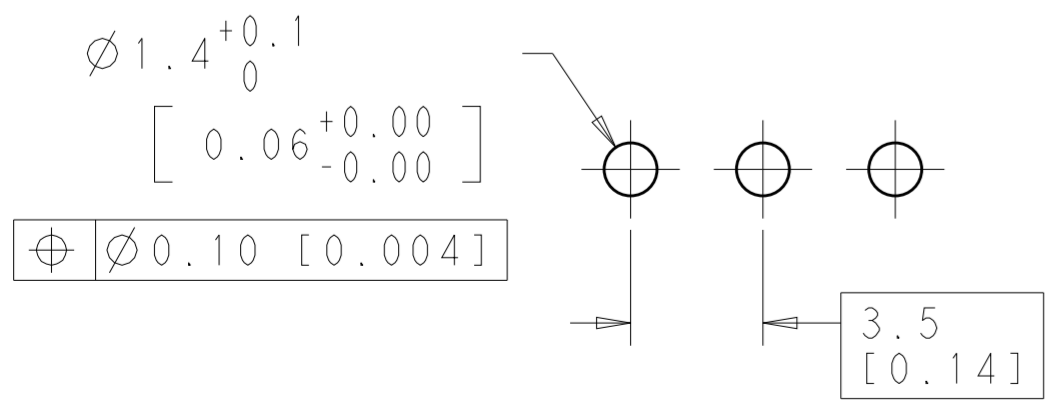
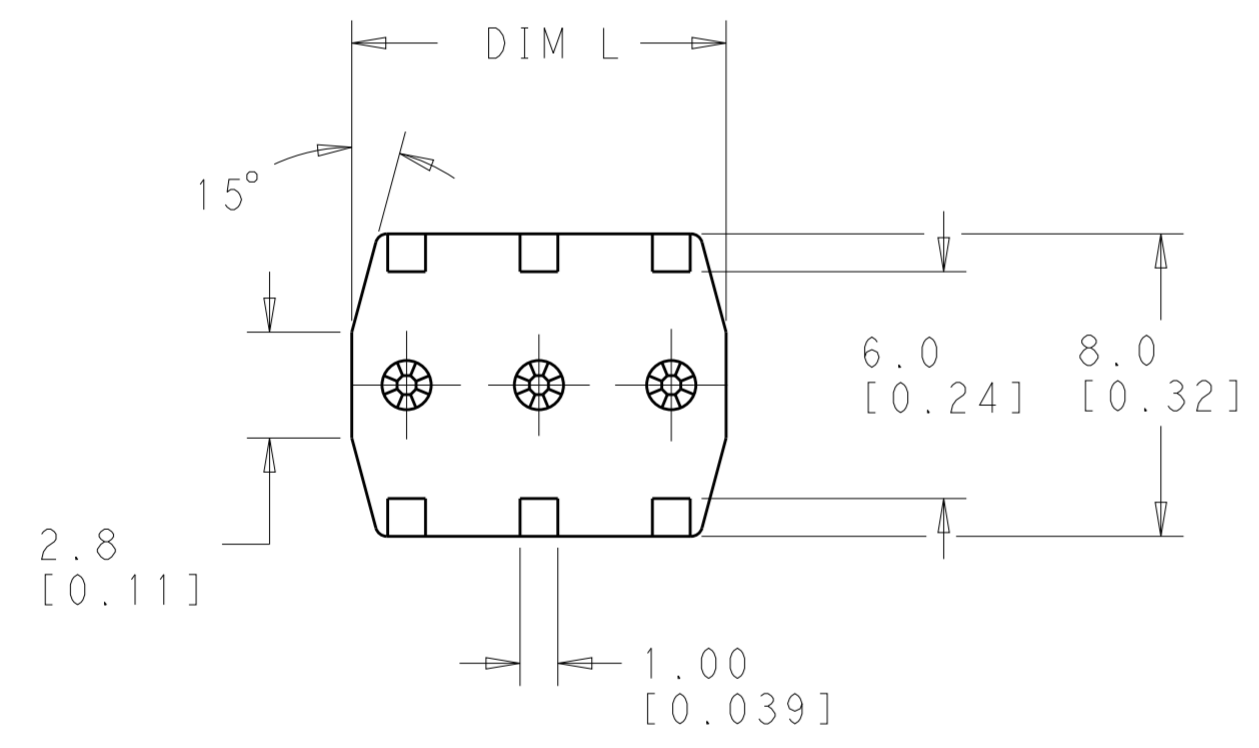
THIS DRAWING IS UNPUBLISHED. RELEASED FOR PUBLICATION 2011
 © COPYRIGHT 2011 ALL RIGHTS RESERVED.

LOC		DIST		REVISIONS			
P	LTR	DESCRIPTION	DATE	DWN	APVD		
	B3	ADDED BLACK VARIANT	14AUG2015	RRN	PS		



NOTES:

- MATERIALS:
 HOUSING: PA HIGH TEMP, UL94 V0, COLOUR: SEE TABLE
 PIN: COPPER ALLOY
 PLATING: TIN PLATED
- MECHANICAL:
 INSERTION FORCE PER POLE: MAX 2.5 N (MAX 22.1 lbf)
 WITHDRAWAL FORCE PER POLE: MIN 4.5 N (MIN 39.8 lbf)
 OPERATING TEMPERATURE: -40°C TO +110°C
- ELECTRICAL:
 VOLTAGE RATING: 150 V
 CURRENT RATING: 2 A
 CONTACT RESISTANCE: 15 mOHM (MAX)
 INSULATION RESISTANCE: 1000 MOHMS (MIN) (500V DC)



-3 AS SHOWN

COLOUR	DIM L	POS	PART NO
BLACK	27.40 [1.078]	8	5-1986718-8
	23.90 [0.941]	7	5-1986718-7
	20.40 [0.803]	6	5-1986718-6
	16.90 [0.665]	5	5-1986718-5
	13.4 [0.527]	4	5-1986718-4
	9.90 [0.389]	3	5-1986718-3
GREEN	6.40 [0.252]	2	5-1986718-2
	27.40 [1.078]	8	1986718-8
	23.90 [0.941]	7	1986718-7
	20.40 [0.803]	6	1986718-6
	16.90 [0.665]	5	1986718-5
	13.4 [0.527]	4	1986718-4
9.90 [0.389]	3	1986718-3	
6.40 [0.252]	2	1986718-2	

THIS DRAWING IS A CONTROLLED DOCUMENT.

DWN YASHKUMAR 09NOV2011	 TE Connectivity	NAME	
CHK SARVER MICHAEL 09NOV2011		MALE CONNECTOR, UNSHROUDED HEADER WITH WIDE BASE	
APVD SARVER MICHAEL 09NOV2011		STRAIGHT SIDE STACKABLE,	
PRODUCT SPEC		PIN 1.3 mm DIA, PITCH 3.50mm	
DIMENSIONS: MM [INCH]	APPLICATION SPEC	SIZE	CAGE CODE
TOLERANCES UNLESS OTHERWISE SPECIFIED:	WEIGHT	DRAWING NO	RESTRICTED TO
0 PLC ±	A200779	G-1986718	
1 PLC ±0.20 [0.008]	CUSTOMER DRAWING	SCALE 5:1	SHEET 1 OF 1
2 PLC ±0.10 [0.004]			REV B3
3 PLC ±			
4 PLC ±			
ANGLES ±1°			
FINISH			

Mouser Electronics

Authorized Distributor

Click to View Pricing, Inventory, Delivery & Lifecycle Information:

[TE Connectivity:](#)

[1986718-4](#)