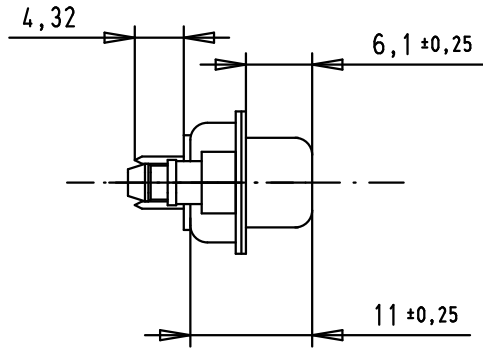
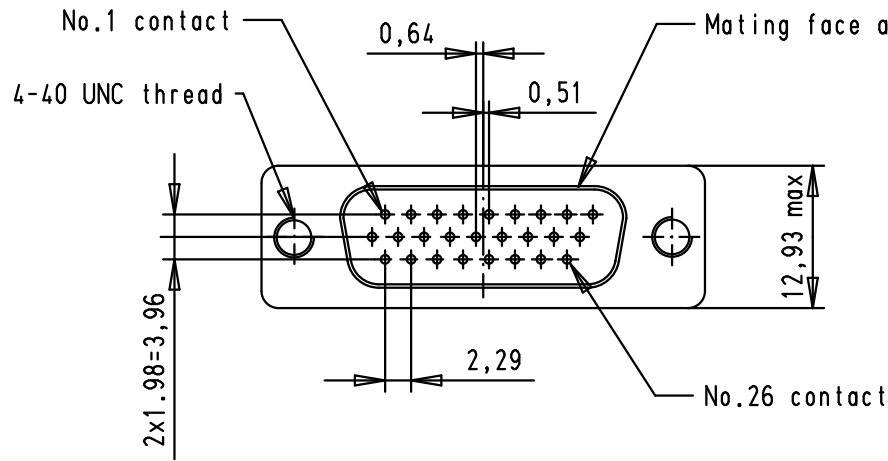
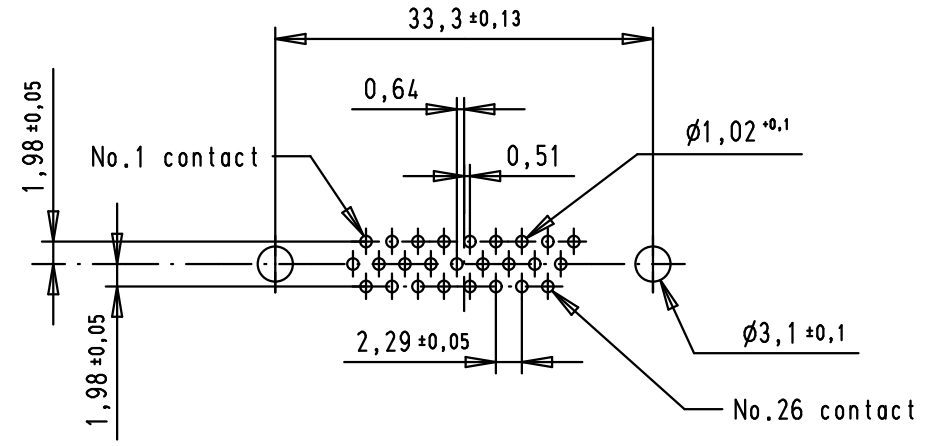
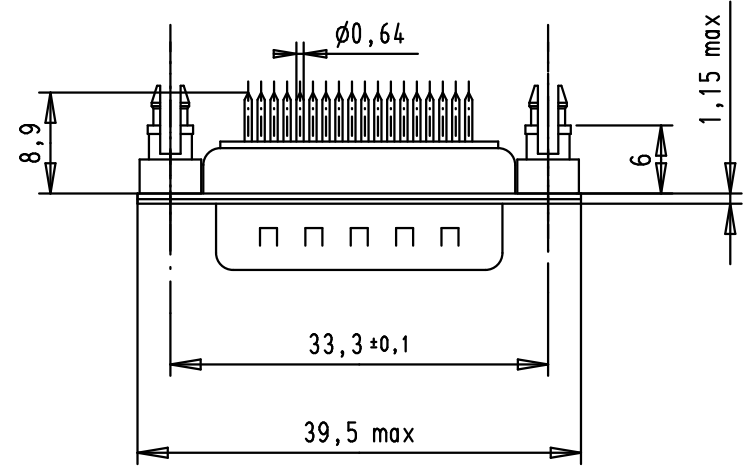


5 4 3 2 1



Printed board layout, component side  
PCB thickness 1,6mm



D

C

B

A

09562615712	0.76 μm Au
09562617712	3
Part number	Performance level

36182	13/10/10	BH		Dat.	Name
33245	20/10/05	JMDR	Detail.	03/06/03	S.H.
32735	18/03/05	AL	Insp.		
32326	04/01/05	TR	Stand.		
31874	05/03/04	A.C.	HARTING EURL F-95972 Paris		
31503	03/06/03	S.H.			
Mod.	Dat.	Name			

All Dim. in mm  
Orig. Size DIN A 4

Dsub, 26 poles, male,  
straight solder pins,  
board locks,  
shell with dimples

**TB 0956261x712**

Sub.

Maßstab/  
Scale  
1.5:1

Blatt/ Page  
1/2

# Mouser Electronics

Authorized Distributor

Click to View Pricing, Inventory, Delivery & Lifecycle Information:

[HARTING:](#)

[09562617712](#) [09562615712](#)