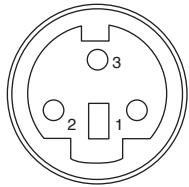


# Mini-DIN In Line Jacks

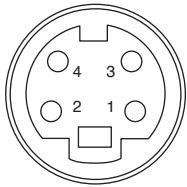
161-2603, 161-2604, 161-2605, 161-2606, 161-2608



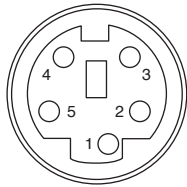
Mini-DIN In Line Jacks



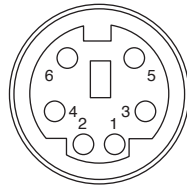
161-2603



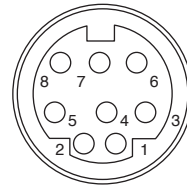
161-2604



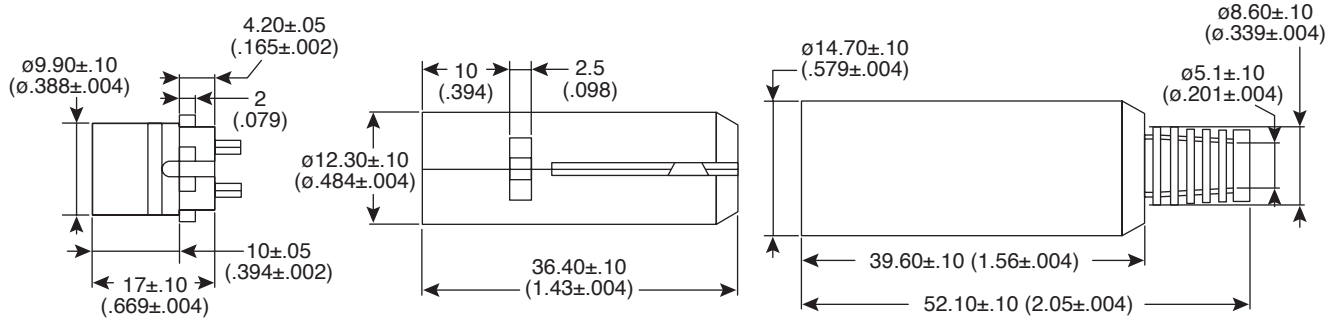
161-2605



161-2606



161-2608



Dimensions: mm (In.)

## MATERIALS

<b>Boot:</b>	PVC
<b>Middle Hood:</b>	ABS
<b>Metal Part:</b>	Nickel Plated Copper
<b>Insulator:</b>	PC
<b>Pin Contact:</b>	Silver Plated Copper

Date Last Revised: 10-19-05

Available from Mouser Electronics  
1-800-346-6873  
www.mouser.com

KC- 300794

161-2603, 161-2604, 161-2605, 161-2606, 161-2608

# Mouser Electronics

Authorized Distributor

Click to View Pricing, Inventory, Delivery & Lifecycle Information:

[Kobiconn:](#)

[161-2608](#) [161-2606](#) [161-2605](#) [161-2604](#) [161-2603](#)