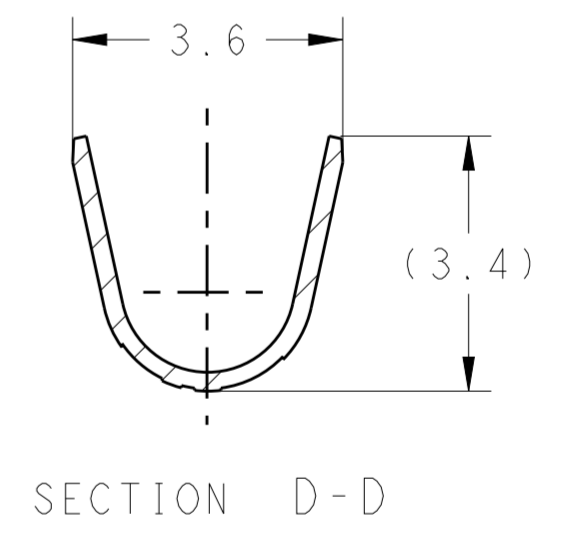
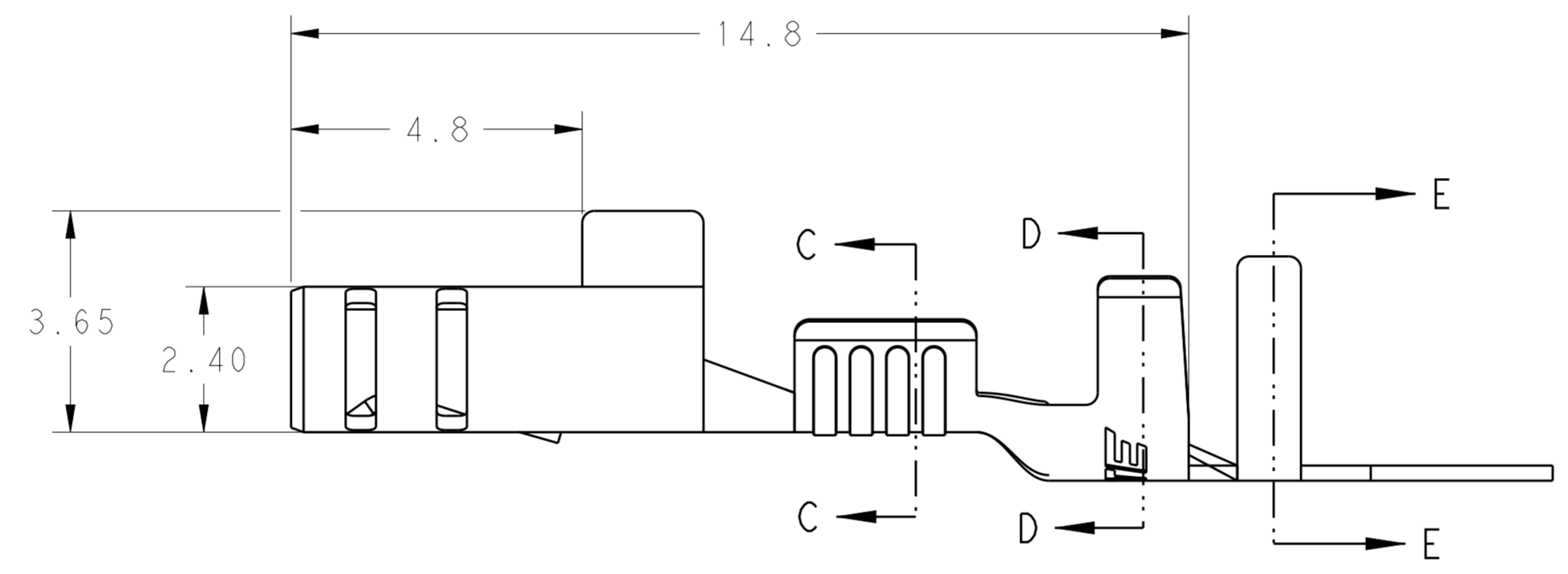
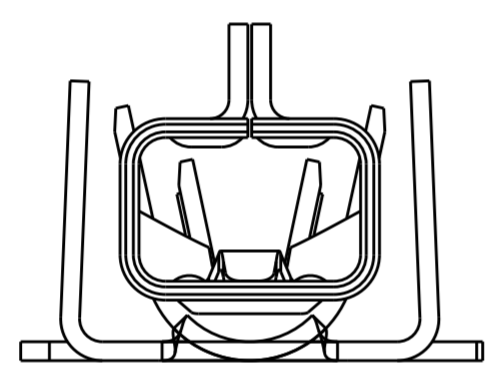
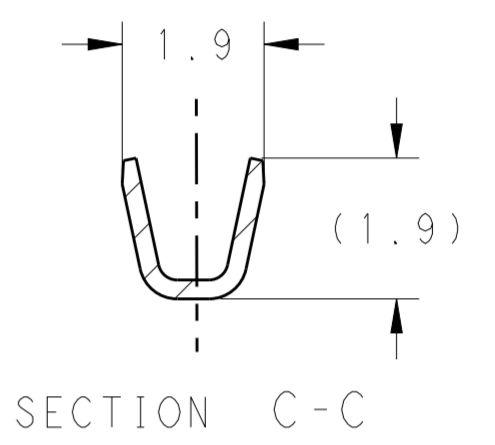
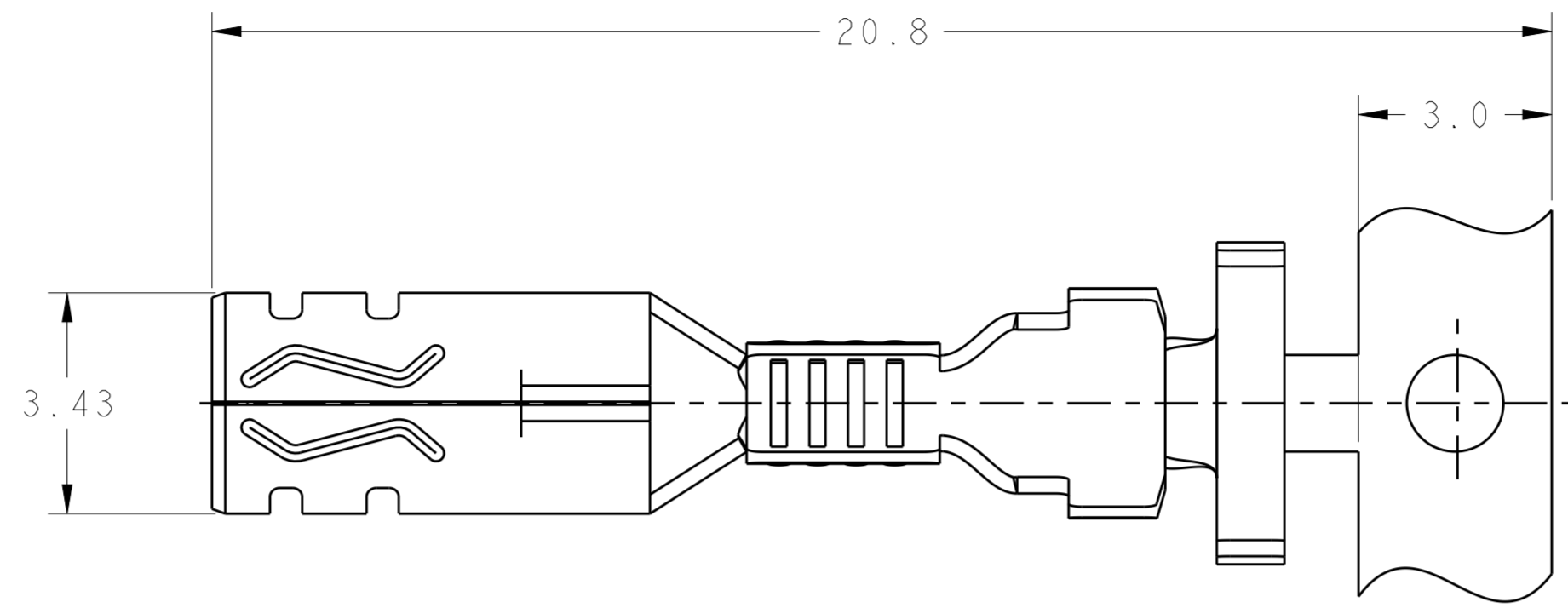
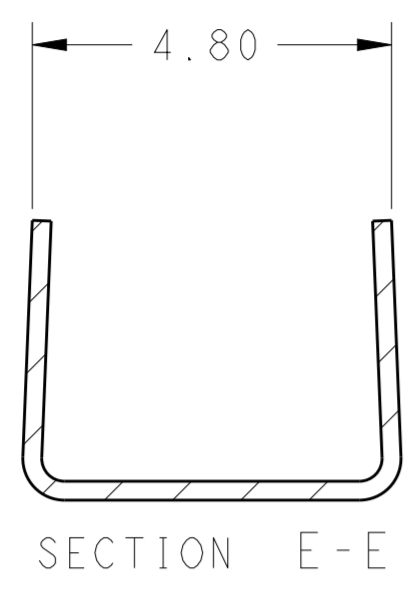
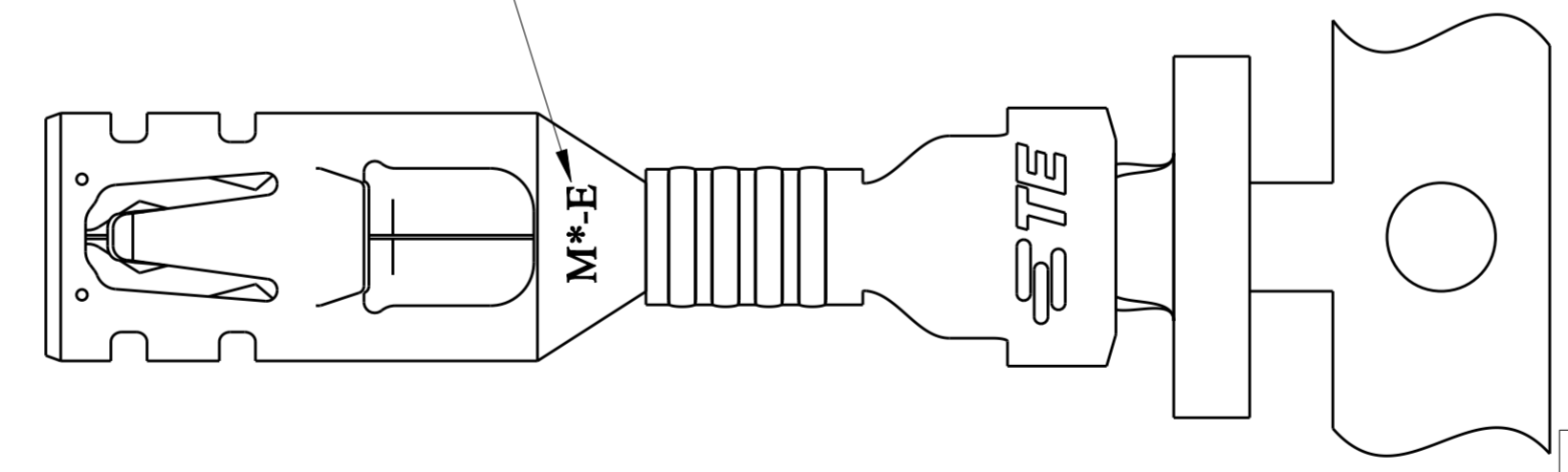


THIS DRAWING IS UNPUBLISHED. RELEASED FOR PUBLICATION 20  
 © COPYRIGHT 20 BY - ALL RIGHTS RESERVED.

REVISIONS				
P	LTR	DESCRIPTION	DATE	APVD
E1		REVISED PER ECO-18-018731	30NOV2018	RS GJ



4 MATERIAL/SIZE MARK



- RECOMMENDED WIRE RANGE: 20-24 AWG COPPER STRANDED(375-1200 CMA)
- RECOMMENDED INSULATION DIAMETER: 1.43-2.70mm. INSULATION < 1.76mm REQUIRES AN APPLICATOR WITH AN OVERLAP INSULATION CRIMPER.
- APPLICABLE MATED PLUG HOUSING P/N:  
 \*-1971773-\*/\*-1971776-\*/\*-1971876-\*/  
 \*-2232265-\*/\*-2232266-\*/\*-2232357-\*

4 WIRE SIZE INDICATOR "E"=20-24 AWG

5 THIS PRODUCT HAS NOT COMPLETED VALIDATION TESTING.

COPPER ALLOY	HIGH(150°C)	M0-E	1971785-2
PHOS BRONZE	STANDARD(105°C)	M1-E	1971785-1
MATERIAL	TEMP. RATING	4 MATERIAL/SIZE MARK	PART NO

THIS DRAWING IS A CONTROLLED DOCUMENT.		DWN TOMMY WU 11JUL2012	TE Connectivity	
DIMENSIONS: mm		CHK HAPYE WU 11JUL2012		
TOLERANCES UNLESS OTHERWISE SPECIFIED:		APVD YUHONG MAO 11JUL2012	NAME RECEPTACLE CONTACT POWER TRIPLE LOCK	
0 PLC ±		PRODUCT SPEC 108-106118	SIZE CAGE CODE DRAWING NO RESTRICTED TO	
1 PLC ±0.5		APPLICATION SPEC 114-106118	A2100779C-1971785	
2 PLC ±0.30		WEIGHT -	SCALE 6:1 SHEET 1 OF 1 REV E1	
3 PLC ±		Customer Drawing		
4 PLC ±				
ANGLES ±				
FINISH PRE-TIN				