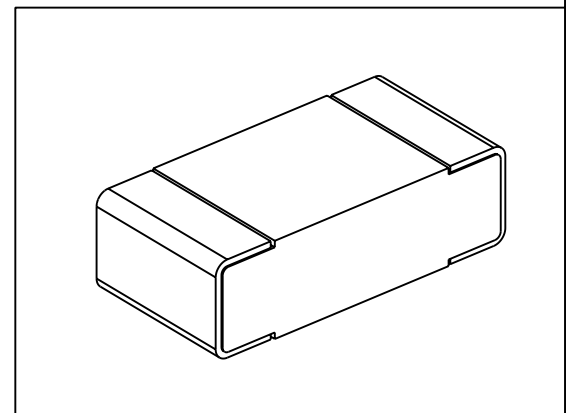
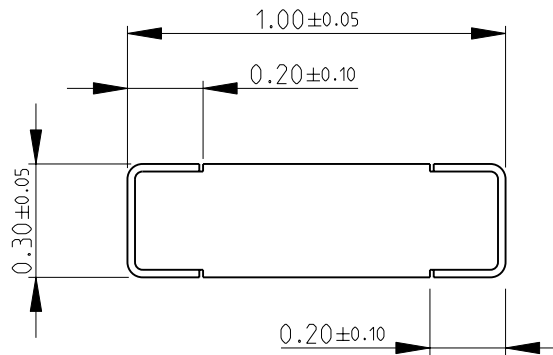
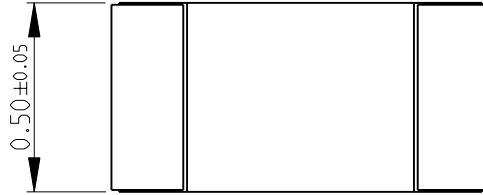


LOC	DIST	REVISIONS			
P	LTR	DESCRIPTION	DATE	DWN	APVD
E	B	BA1	REVISED PER ECO-11-005150	29MAR2011	RK HMR

FOR FURTHER INFORMATION SEE DATA SHEET FOR
CPF SERIES-THIN FILM PRECISION CHIP RESISTORS



RoHS Compliant

2008

RELEASED FOR PUBLICATION

ALL RIGHTS RESERVED.

BY -

2008



THIS DRAWING IS UNPUBLISHED.

DIMENSIONS: mm	DWN	27-Sep-08	MATERIAL	-	FINISH	-
	CHK	27-Sep-08	TE Connectivity			
TOLERANCES UNLESS OTHERWISE SPECIFIED:	APVD	27-Sep-08				
	0 PLC ± 0.2	PRODUCT SPEC	SERIES CPF 0402			RESTRICTED TO
1 PLC ± 0.1	APPLICATION SPEC	SIZE			CAGE CODE	DRAWING NO
2 PLC ± -	-	A 4	00779	C= 1879208		-
3 PLC ± -	WEIGHT	-	SCALE			50:1
4 PLC ± -	-	CUSTOMER DRAWING			SHEET	1 OF 1
ANGLES ± 5°				REV	BA1	

Mouser Electronics

Authorized Distributor

Click to View Pricing, Inventory, Delivery & Lifecycle Information:

[TE Connectivity:](#)

[CPF0402B200RE1](#)