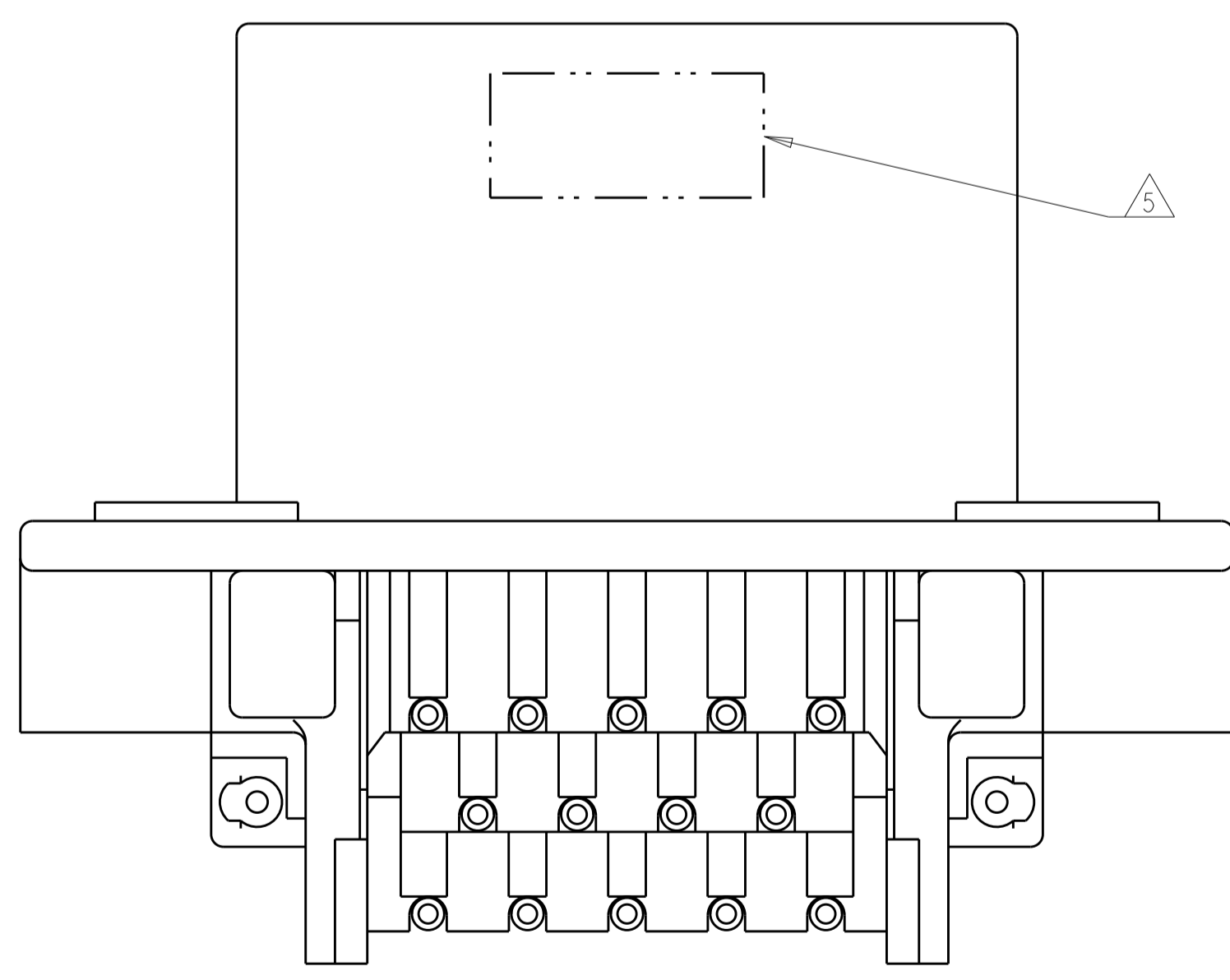
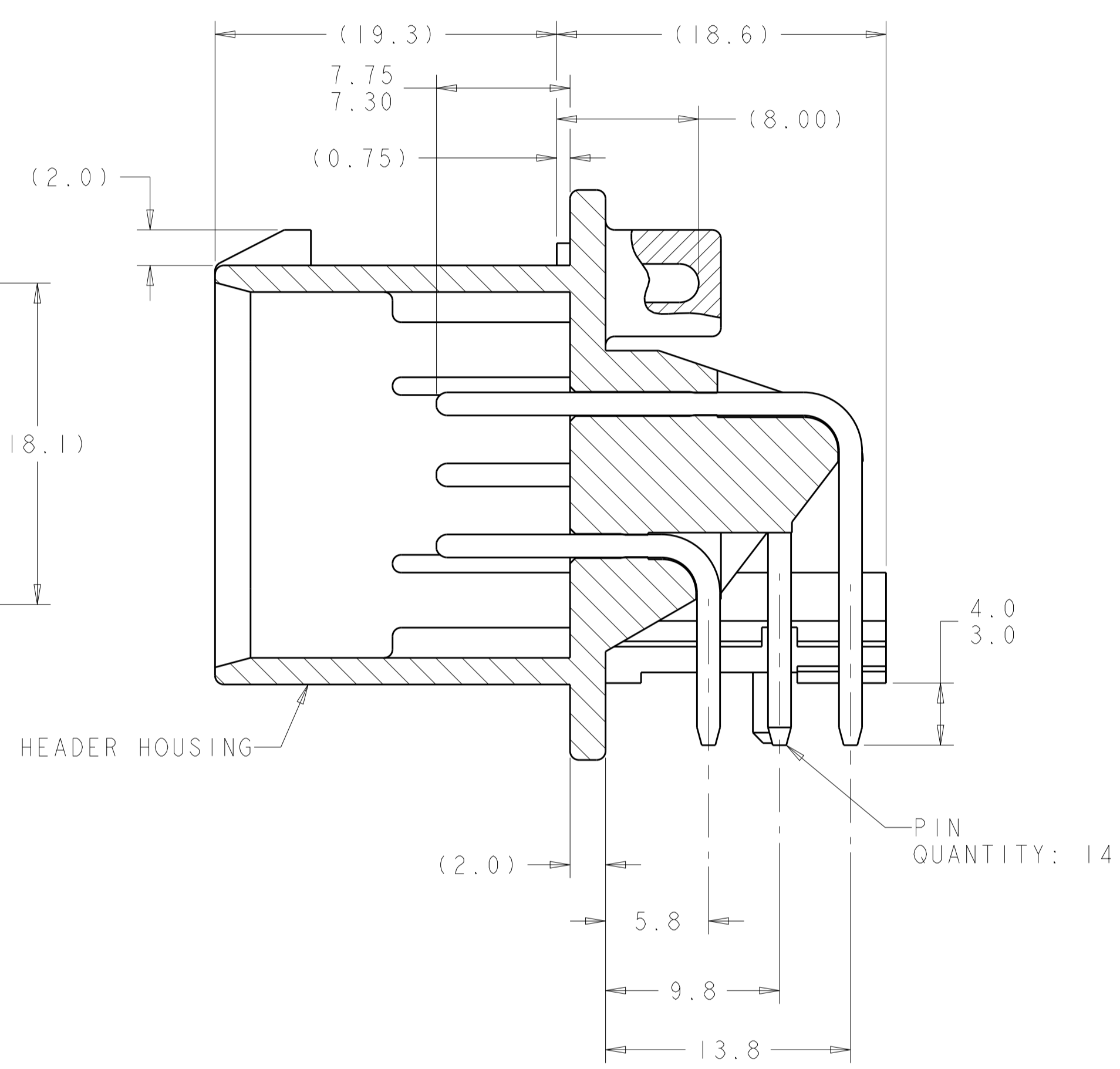
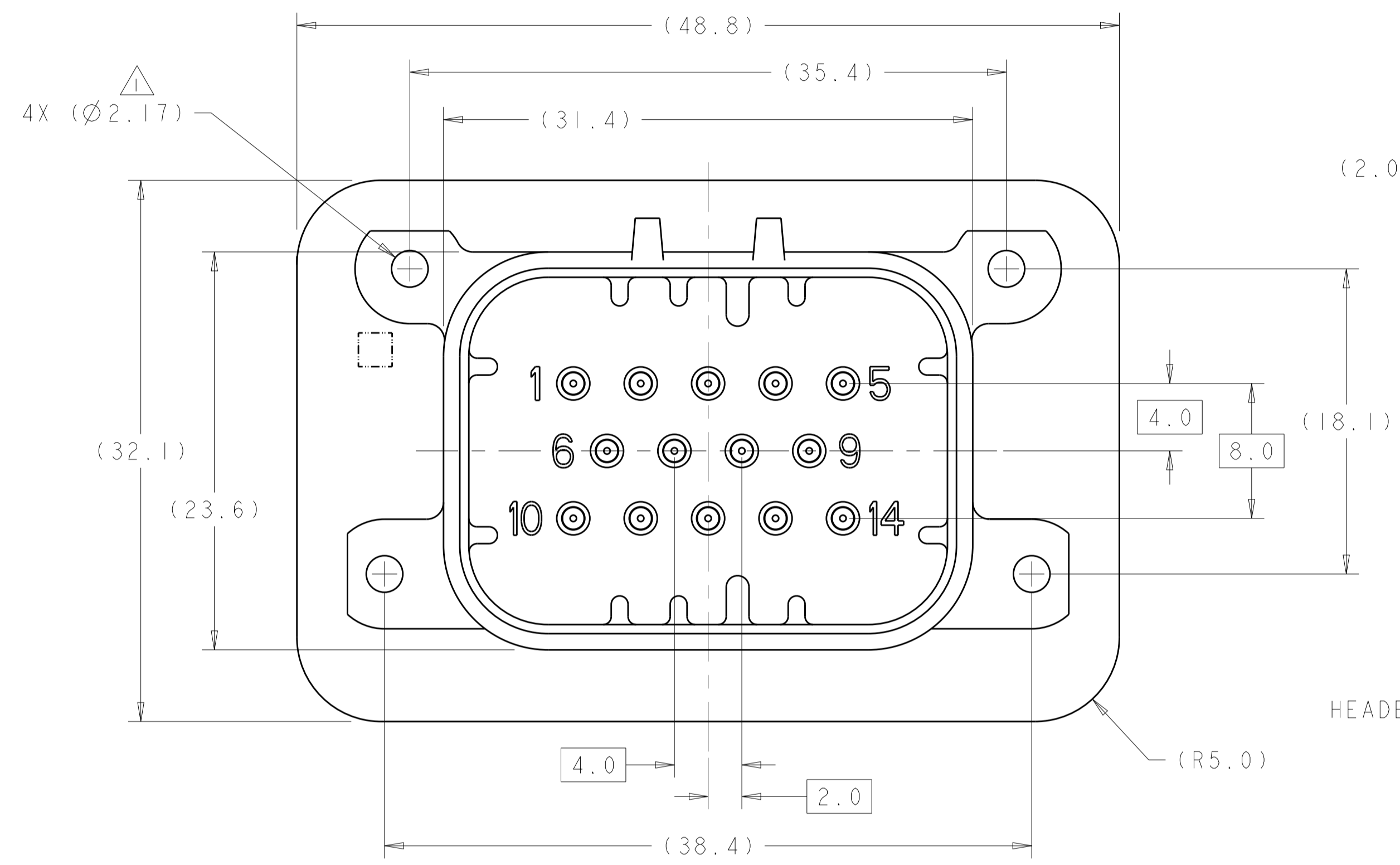


REVISIONS				
P.	LTN	DESCRIPTION	DATE	APVD
B5		REVISED PER ECO-13-020287	16JAN2014	DD DS
B6		REVISED PER ECO-15-000098	06JAN2015	DD DS
B7		REVISED PER ECO-15-003872	25MAR2015	DD DS

- △ ACCEPTS #3 SELF TAPPING THREAD FORMING SCREWS OR METRIC EQUIVALENT. DRIVE TO 0.6-0.8 N-m.
- △ HOUSING COLORS ARE MECHANICALLY KEYS TO MATE ONLY WITH IDENTICALLY COLORED PLUG ASSEMBLIES.
- 3. HEADER MATES TO PLUG ASSEMBLY 776273 WHICH USES REELED TERMINAL 770520 AND LOOSE PIECE TERMINAL 770854
- △ MATERIAL: HEADER HOUSING - GLASS FILLED PBT  
PIN - TIN OR GOLD PLATED BRASS
- △ DATE CODE TO BE BRANDED ON THIS SURFACE PER TE SPEC 102-60. USE 5 DIGIT CODE: FIRST 2 DIGITS = YEAR, SECOND 2 DIGITS = WEEK, LAST DIGIT = DAY.



776266-1 & 1-776266-1 SHOWN

HEADER HOUSING COLOR	DESCRIPTION	PART NUMBER
BLUE	DURAGOLD PLATED	1-776266-5
GRAY	DURAGOLD PLATED	1-776266-4
NATURAL	DURAGOLD PLATED	1-776266-2
BLACK	DURAGOLD PLATED	1-776266-1
BLUE	TIN PLATED	776266-5
GRAY	TIN PLATED	776266-4
NATURAL	TIN PLATED	776266-2
BLACK	TIN PLATED	776266-1

THIS DRAWING IS A CONTROLLED DOCUMENT.

DWG: D. DRUMMOND 18AUG2010  
 CHK: D. STRAUSSER 18AUG2010  
 APVD: D. STRAUSSER 18AUG2010

DIMENSIONS: mm  
 TOLERANCES UNLESS OTHERWISE SPECIFIED:  
 0 PLC ±0.2  
 1 PLC ±0.13  
 2 PLC ±0.13  
 3 PLC ±0.13  
 4 PLC ±0.13  
 ANGLES ±0.5°

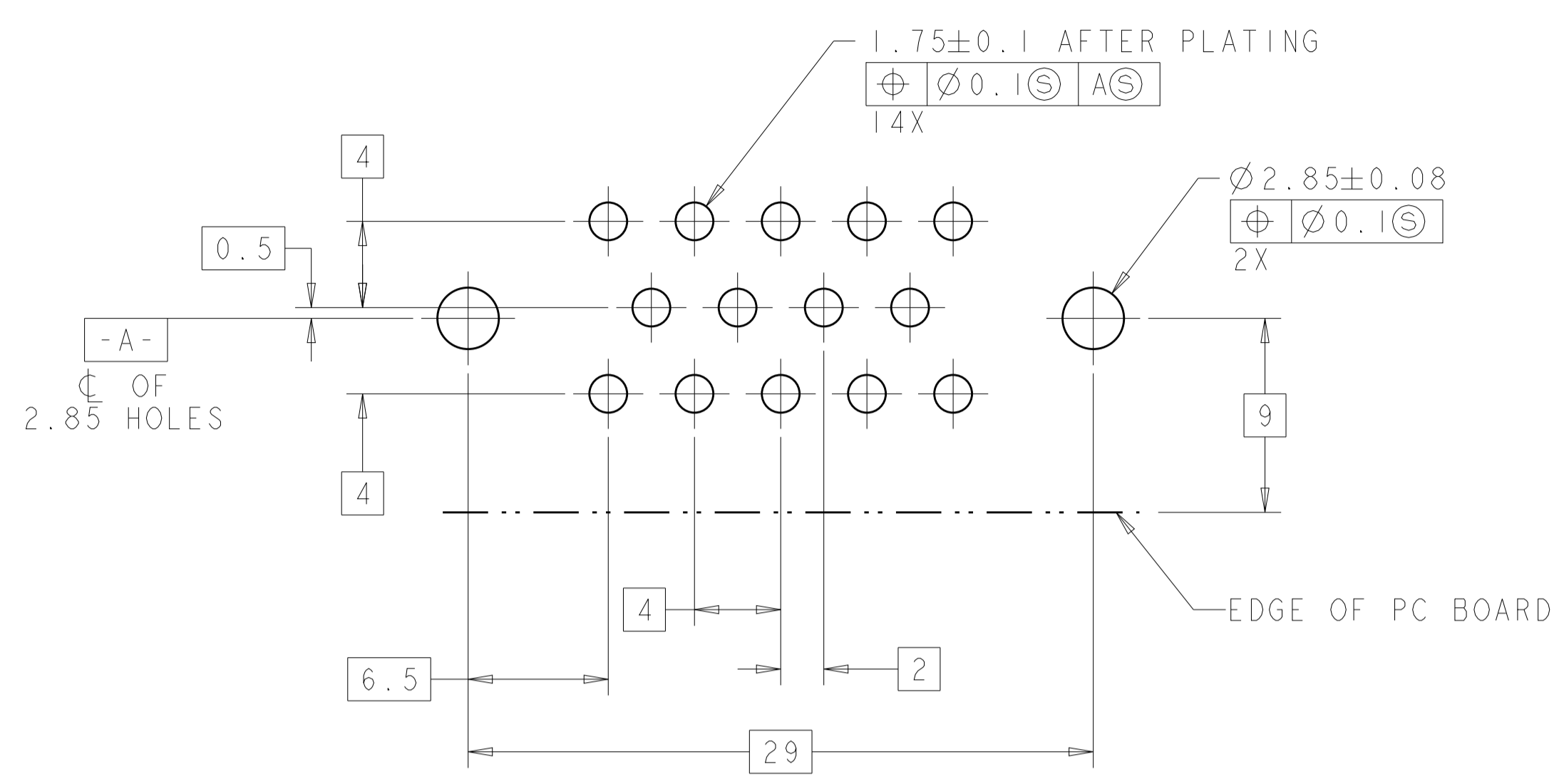
MATERIAL: 4  
 FINISH: 4

PRODUCT SPEC: 108-1329  
 APPLICATION SPEC: 114-16016  
 WEIGHT: -

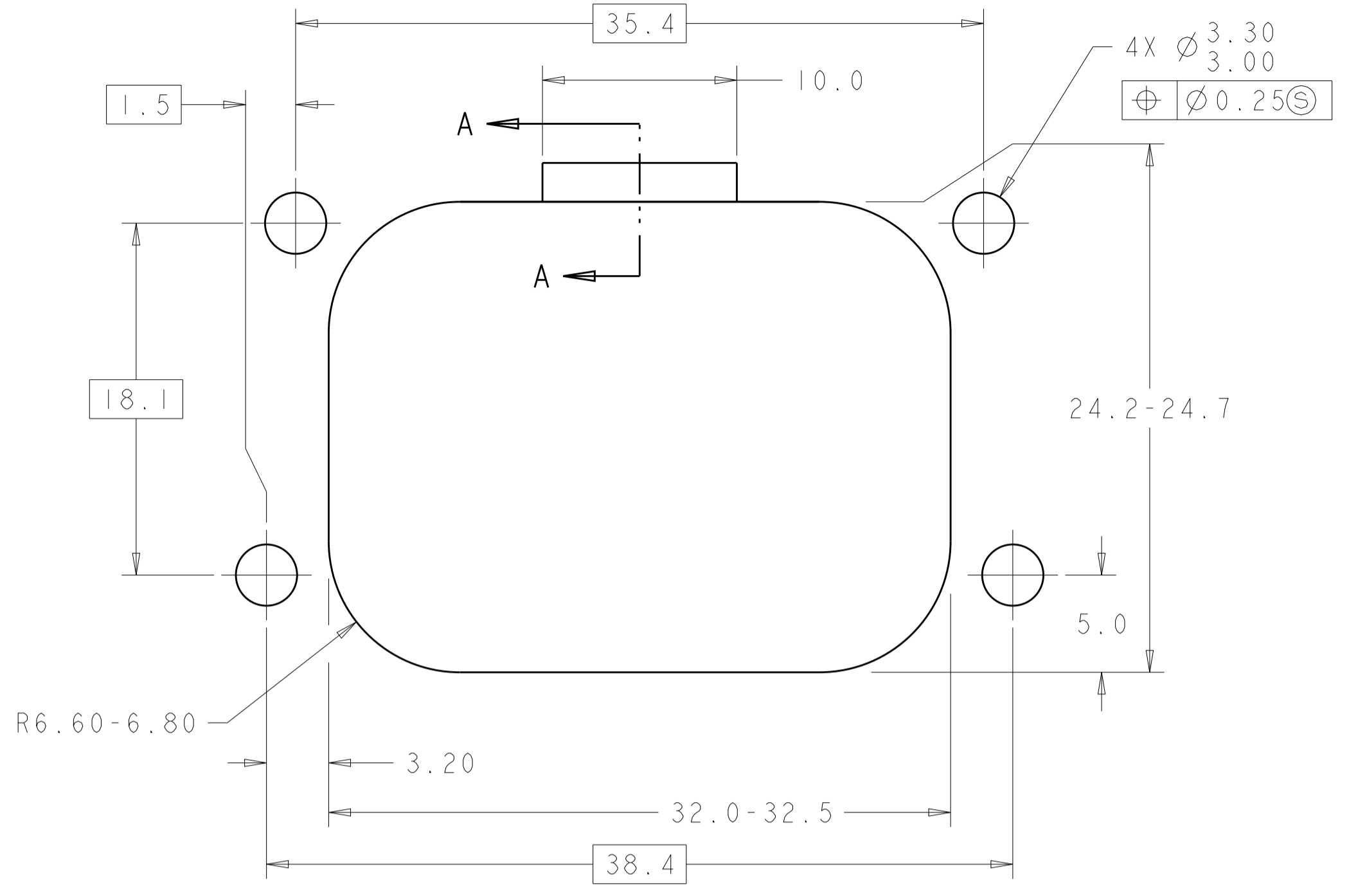
NAME: HEADER ASSEMBLY, 14 POSITION, RIGHT ANGLE, AMPSEAL  
 SIZE: A1  
 CAGE CODE: 100779  
 DRAWING NO: 776266  
 RESTRICTED TO: -

CUSTOMER DRAWING  
 SCALE: 4:1  
 SHEET: 1 OF 2  
 REV: B7

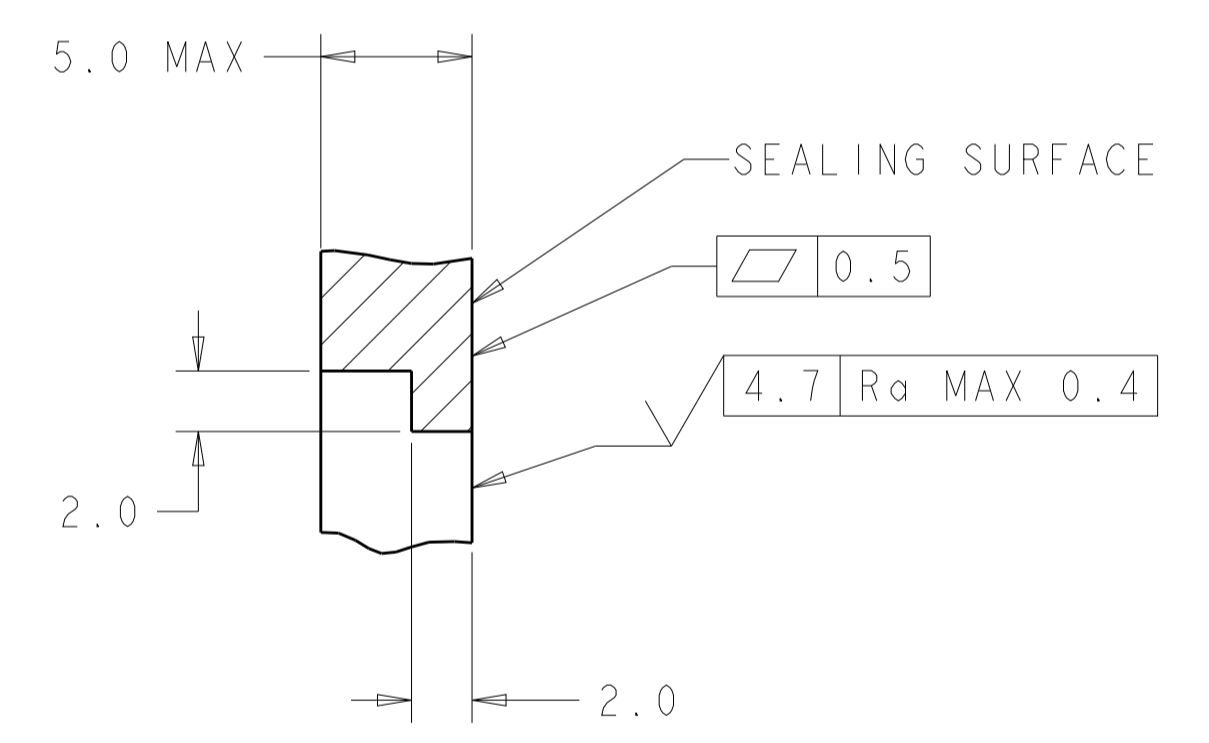
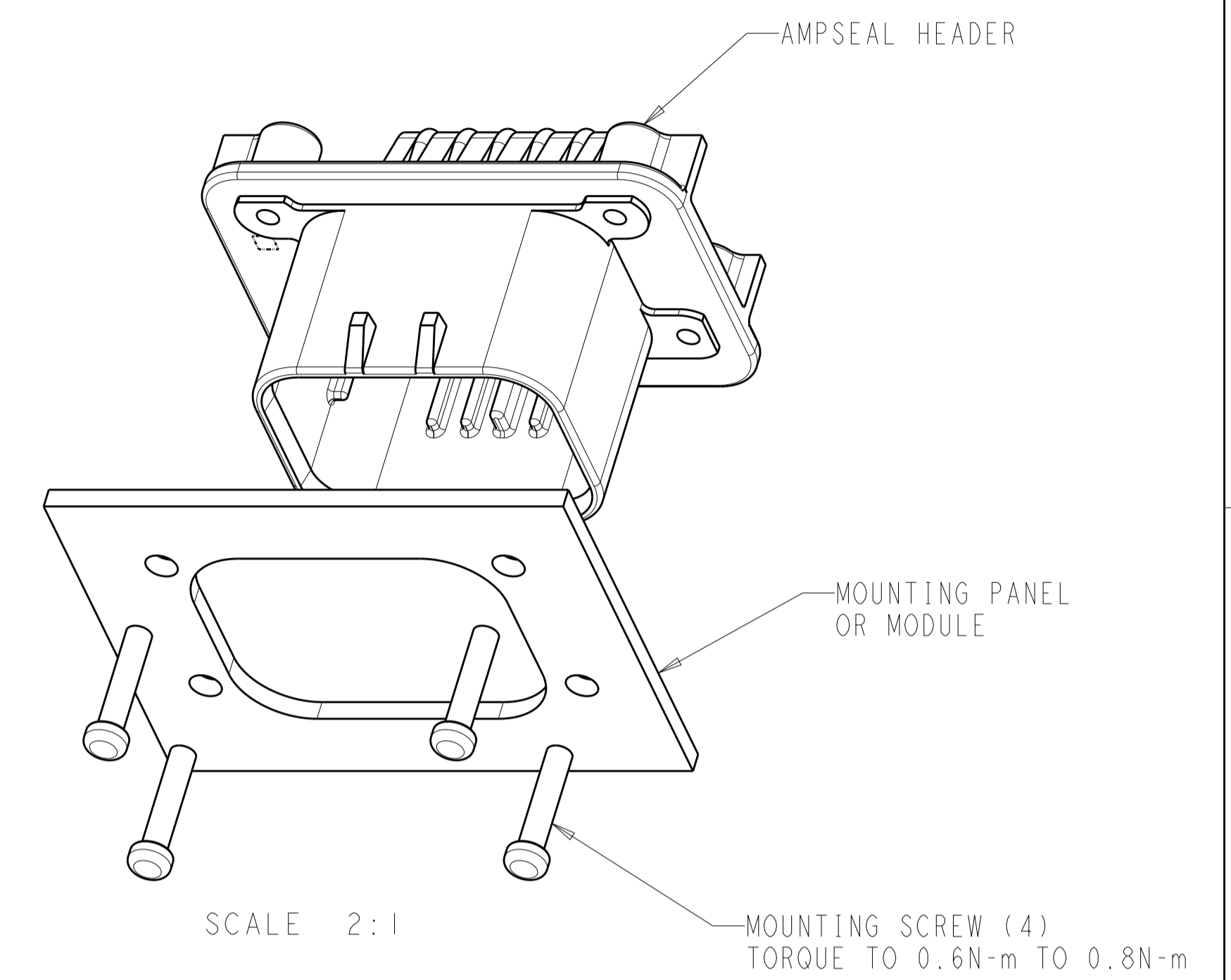
REVISIONS				
P.	LTH	DESCRIPTION	DATE	OWN APVD
-	-	SEE SHEET 1	-	-



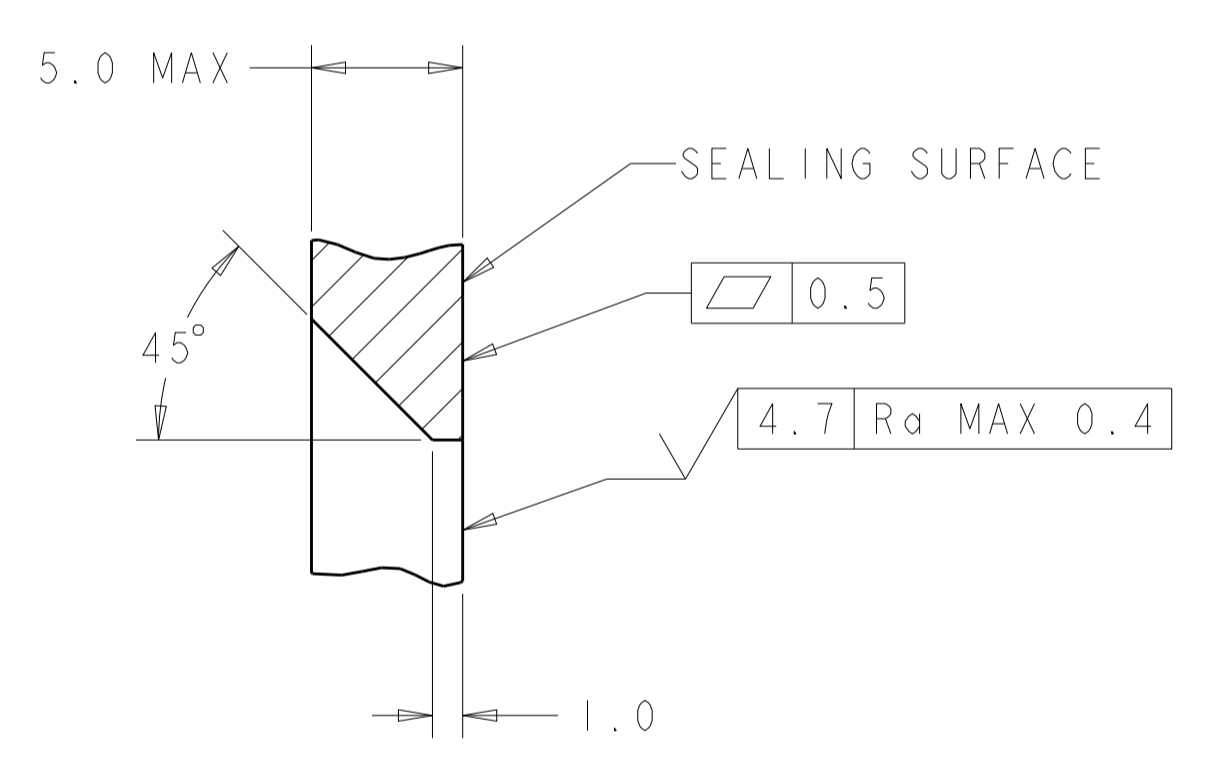
RECOMMENDED PC BOARD LAYOUT FOR 1.57 PC BOARD



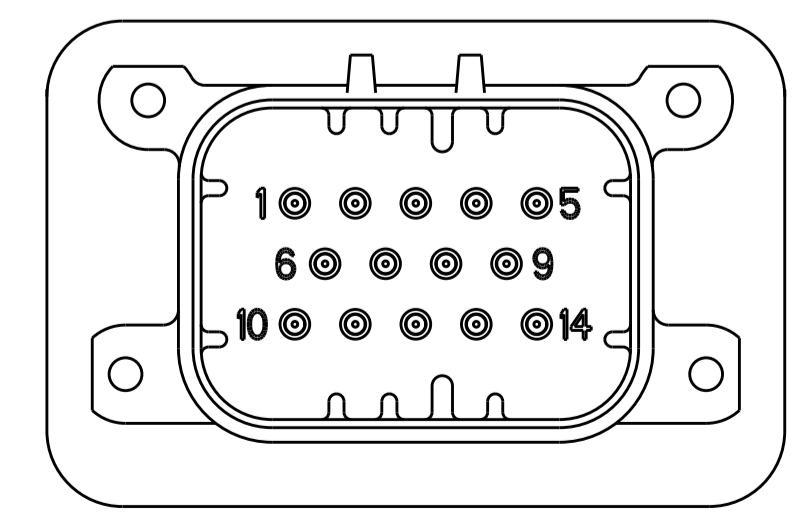
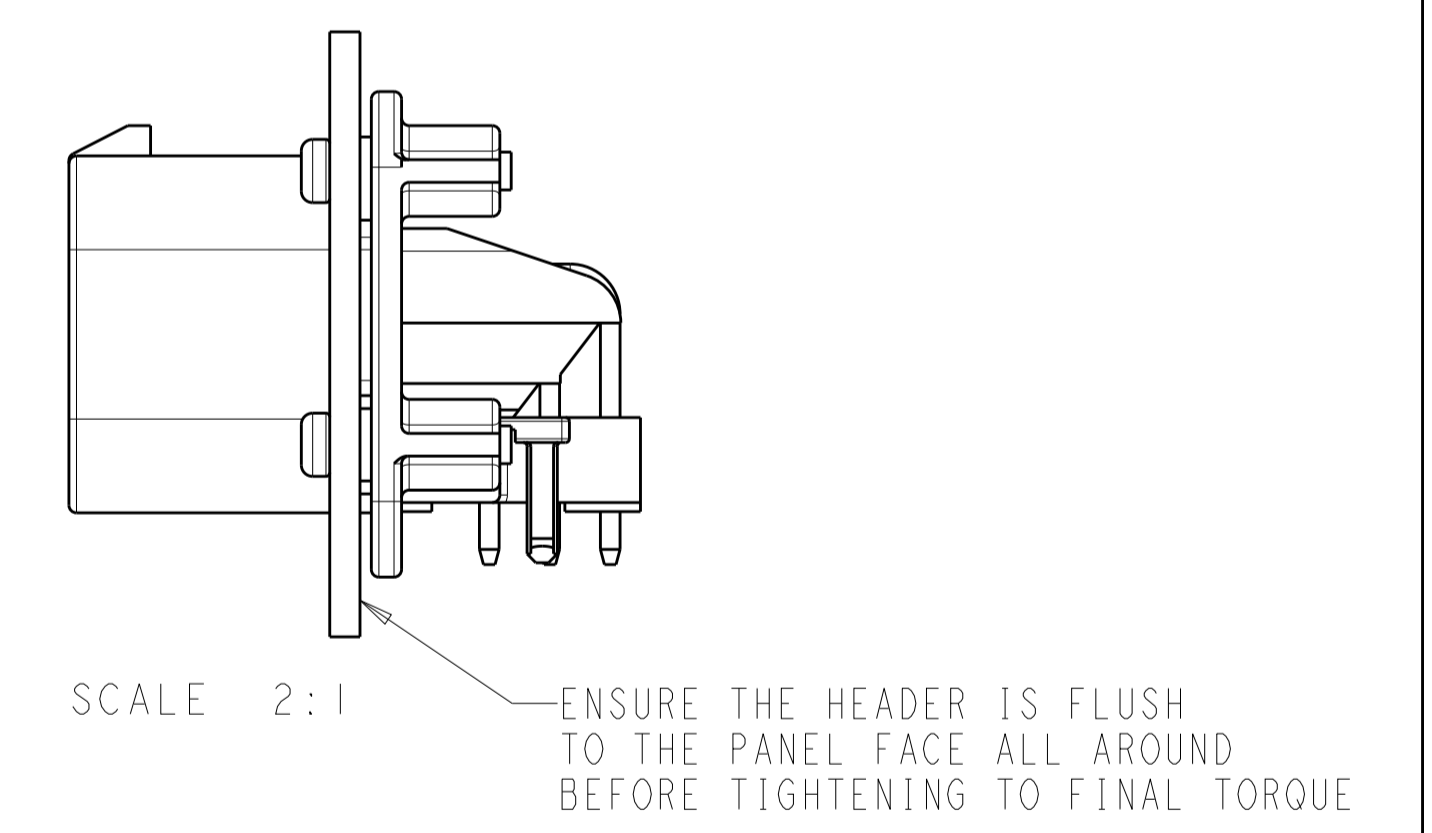
RECOMMENDED MOUNTING HOLE LAYOUT FOR 5.0 MAXIMUM THICK PANEL



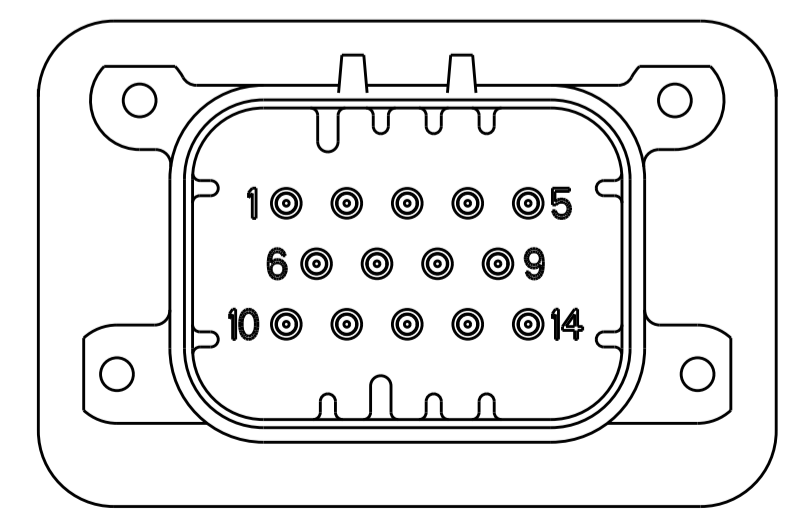
SECTION A-A  
 OPTIONAL CONSTRUCTION IF THICKNESS IS GREATER THEN 2.0



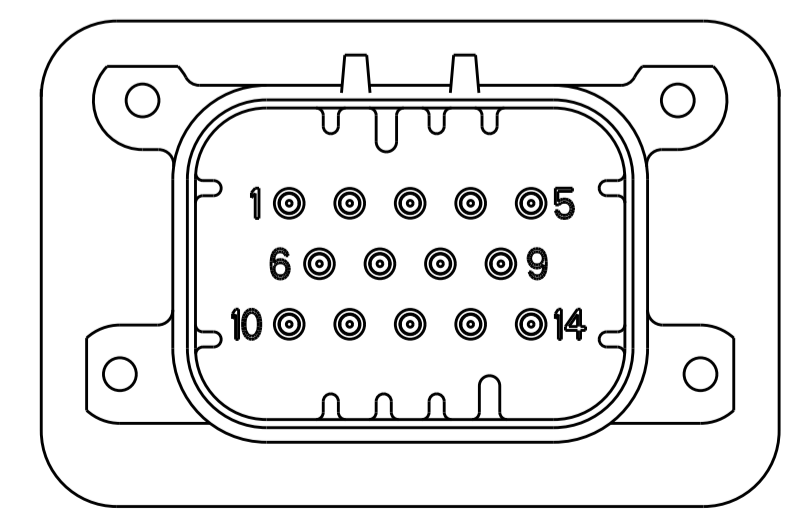
SECTION A-A  
 OPTIONAL CONSTRUCTION IF THICKNESS IS GREATER THEN 2.0



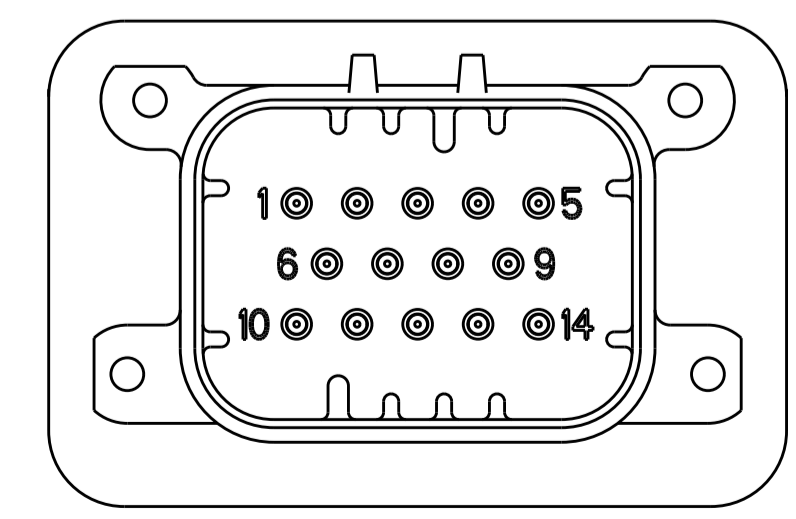
776266-1 & 1-776266-1  
 KEY LOCATION  
 SCALE 2:1



776266-2 & 1-776266-2  
 KEY LOCATION  
 SCALE 2:1



776266-4 & 1-776266-4  
 KEY LOCATION  
 SCALE 2:1



776266-5 & 1-776266-5  
 KEY LOCATION  
 SCALE 2:1

THIS DRAWING IS A CONTROLLED DOCUMENT.		OWN: D. DRUMMOND 18AUG2010	TE Connectivity
DIMENSIONS: mm		CHK: D. STRAUSSER 18AUG2010	
TOLERANCES UNLESS OTHERWISE SPECIFIED:		APVD: D. STRAUSSER 18AUG2010	NAME: HEADER ASSEMBLY, 14 POSITION, RIGHT ANGLE, AMPSEAL
0 PLC	±	PRODUCT SPEC	SIZE: CAGE CODE DRAWING NO
1 PLC	±0.2	108-1329	RESTRICTED TO
2 PLC	±0.13	APPLICATION SPEC	A100779C=776266
3 PLC	±	114-16016	SCALE: 4:1 SHEET 2 OF 2 REV: B7
4 PLC	±	WEIGHT	CUSTOMER DRAWING
ANGLES	±45°		

# Mouser Electronics

Authorized Distributor

Click to View Pricing, Inventory, Delivery & Lifecycle Information:

[TE Connectivity:](#)

[776266-2](#)