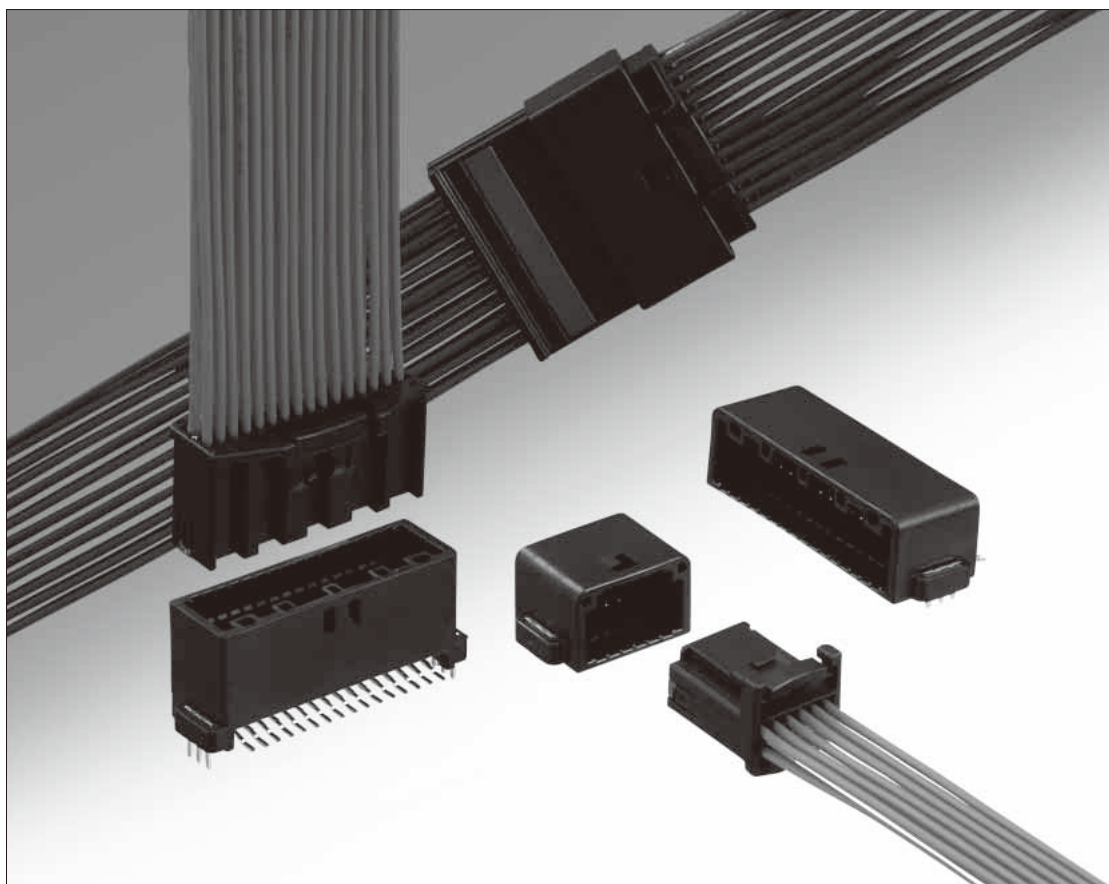


GT25 Series

— SMT Multi-contact Connectors —



■ Features

- Metal holdowns to solder by reflow are used instead of screws for PCB mounting.
- The width of tab is 025 size.

■ Product Specifications

Rated Current	Insulation Resistance	Withstanding Voltage	Contact Resistance	Operating Temperature Range
3A (Note 1)	100MΩ min	AC650V for one minute	No more than 30mΩ (initially)	-40°C to +105°C (Note 2)

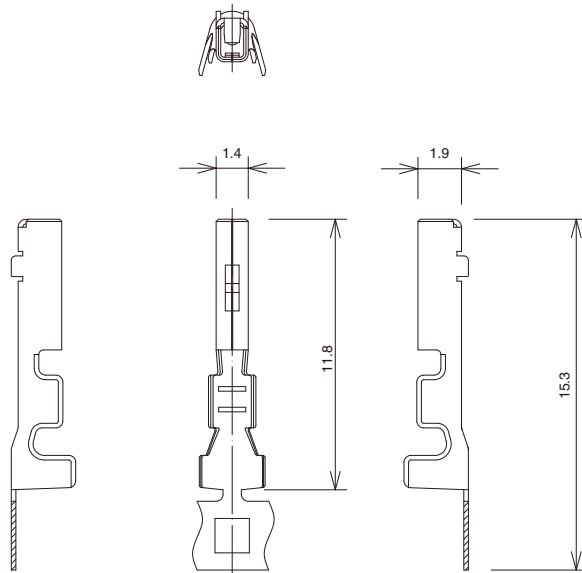
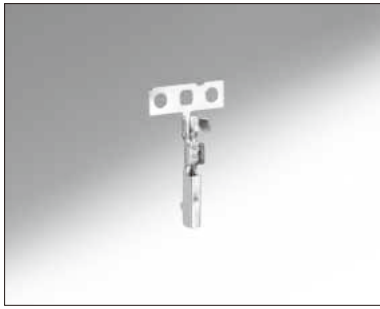
Note 1 : When using different conditions, please consult with Hirose.

Note 2 : Includes temperature rise caused by current flow.

Interface Connector, Ltd. All Rights Reserved. Copyright 2018 HIROSE ELECTRIC CO., LTD.

- GT5
- GT13
- GT16
- PO5G
- GT19
- GT21
- GT26
- GT36
- GT11
- GT17
- GT32
- GT3
- GT7
- GT10
- GT18W
- GT25
- GT8E
- GT9
- GT15

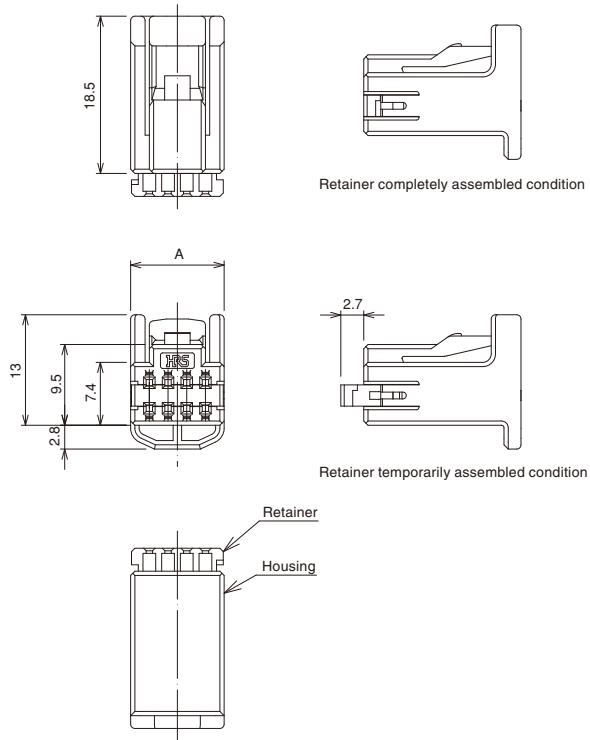
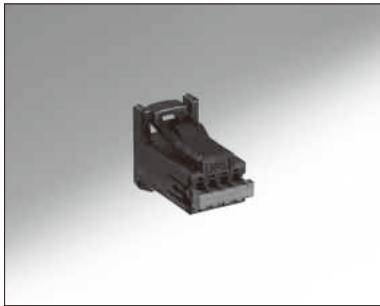
F Terminal



Part No.	HRS No.	Material	Plating	Conductor Size (AWG)	Outer Diameter	Packaging	RoHS
GT25H-2024SCF	775-0039-6	Copper palloy	Tin plating	20 to 22 AWG	φ 1.0 to 1.7	10,000 pcs/reel	YES
GT25HB-2428SCF	775-0070-6			24 to 28 AWG	φ 0.5 to 1.0		

F Connector

● Housing (Pre-assembled retainer)



Part No.	HRS No.	Color	Material	No. of Contacts	A Dimension	Packaging	RoHS
GT25-8DS-HU/R	775-0059-3	Housing : Black Retainer : Dark Gray	Housing : PPE Retainer : PBT	8	11	1	YES
GT25-12DS-HU/R	775-0062-8		PBT	12	15.4		
GT25-24DS-HU/R	775-0046-1		Housing : PPE Retainer : PBT	24	28.6		
GT25-32DS-HU/R	775-0044-6			32	37.4		

Note 1 : Pre-assembled retainer into housing body

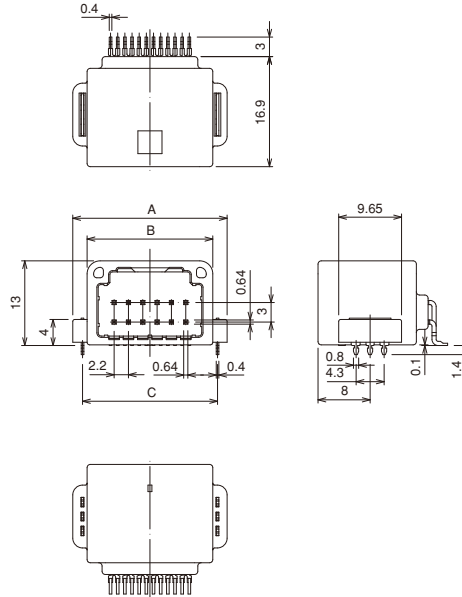
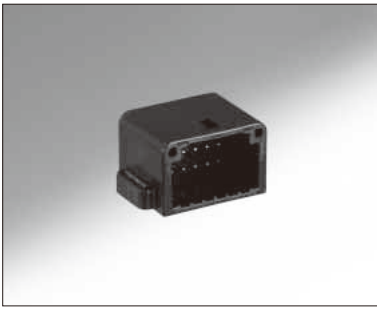
Note 2 : After insert assembled contact, retainer has to be pushed-in correct position

Note 3 : Available to purchase housing and retainer separately for repair.

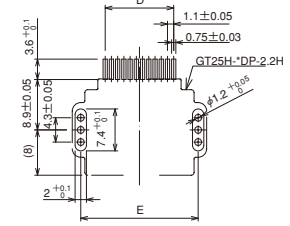
- GT5
- GT13
- GT16
- PO5G
- GT19
- GT21
- GT26
- GT36
- GT11
- GT17
- GT32
- GT3
- GT7
- GT10
- GT18W
- GT25
- GT8E
- GT9
- GT15

Interface Connector

Improved prying force

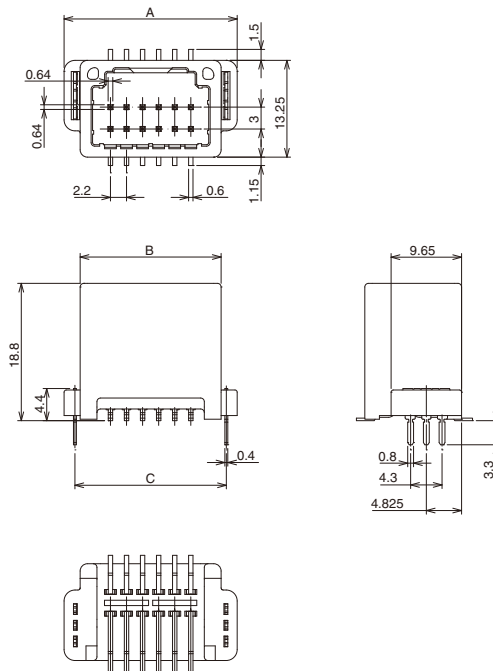
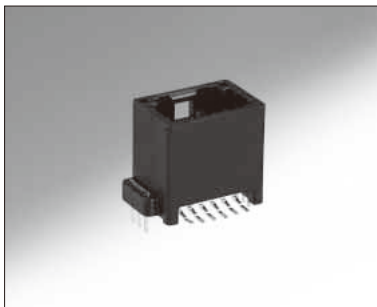


Recommended PCB pattern

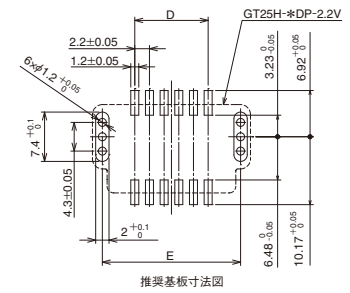


Part No.	HRS No.	Color	Material/Plating	No. of Contacts	A Dimension	B Dimension	C Dimension	D Dimension	E Dimension	Packaging	RoHS
GT25H-12DP-2.2H	775-0038-3	Black	PPS Brass/ Tin plating	12	23.7	19.3	20.73	12.1±0.05	20.73±0.05	200 pcs/reel	YES
GT25H-20DP-2.2H	(Under development)			20	32.5	28.1	29.53	20.9±0.05	29.53±0.05		
GT25H-24DP-2.2H	775-0045-9			24	36.9	32.5	33.93	25.3±0.05	33.93±0.05		
GT25H-32DP-2.2H	(Under development)			32	45.7	41.3	42.73	34.1±0.05	42.73±0.05		

Improved prying force



Recommended PCB pattern

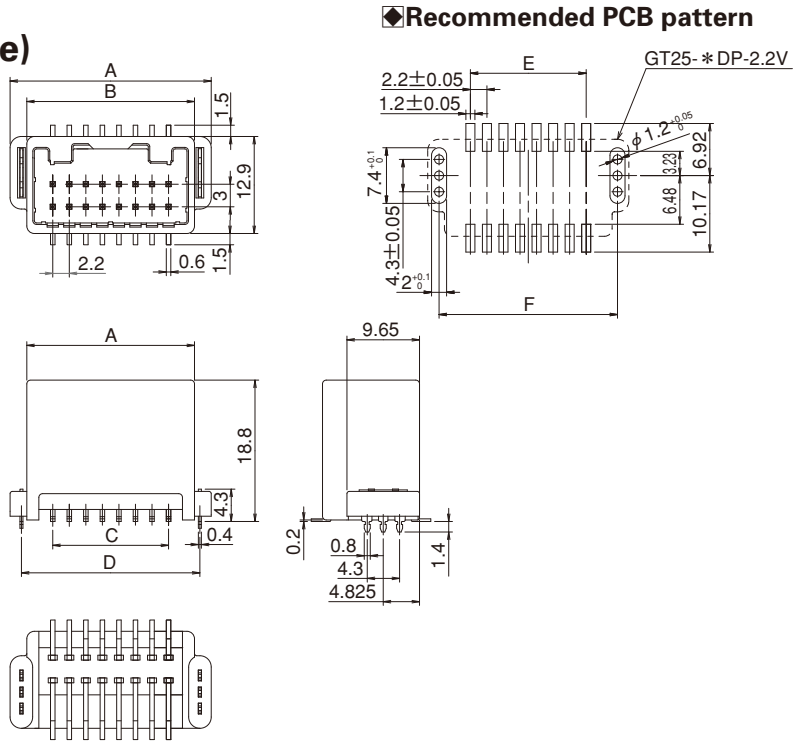
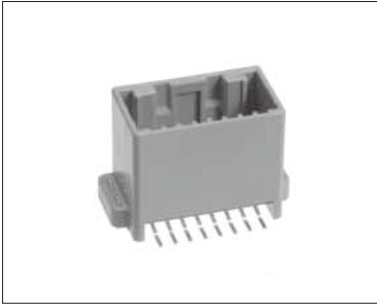


Part No.	HRS No.	Color	Material/Plating	No. of Contacts	A Dimension	B Dimension	C Dimension	D Dimension	E Dimension	Packaging	RoHS
GT25H-12DP-2.2V	775-0050-9	Black	PPS Brass/ Tin plating	12	23.7	19.3	20.73	11±0.05	20.73±0.05	1	YES
GT25H-24DP-2.2V	(Under development)			24	36.9	32.5	33.93	24.2±0.05	33.93±0.05		
GT25H-32DP-2.2V	775-0053-7			32	45.7	41.3	42.73	33±0.05	42.73±0.05		

M connector (PCB type)

Straight Type

● 2 rows

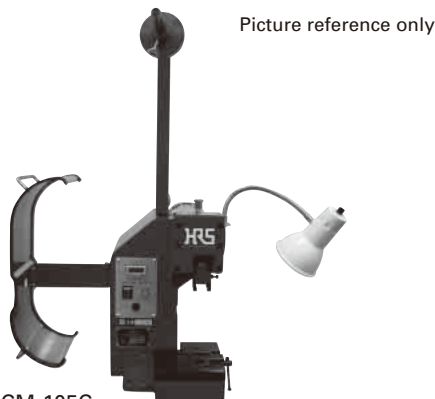


Part No.	HRS No.	Color	Material/ Plating	No. of Contacts	A Dimension	B Dimension	C Dimension	D Dimension	E Dimension	F Dimension	Packaging	RoHS
GT25-16DP-2.2V(01)	775-0020-8 01	Light Gray	PPS Brass/ Tin plating	16	26.75	22.3	15.4	23.73	15.4±0.05	23.73±0.05	1/tray	YES
GT25-24DP-2.2V(01)	775-0021-0 01			24	35.55	31.1	24.2	32.53	24.2±0.05	32.53±0.05		
GT25-32DP-2.2V(01)	775-0022-3 01			32	44.35	39.9	33.0	41.33	33±0.05	41.33±0.05		
GT25-40DP-2.2V(01)	775-0014-5 01			40	53.15	48.7	41.8	50.13	41.8±0.05	50.13±0.05		

◆ Crimping tools

User manuals are available. Please contact your Hirose Electric account representative.

● Automatic Crimping Machine



Part No. CM-105C

Specifications

Item	Specification	Remarks
Press capacity	1.5tons	—
Stroke Length	30mm	—
Number of strokes	200spm (50Hz)	240spm (60Hz)
Weight	75kg	—
Motor	0.2kw	AC100V
Crimping speed	2,000 to 4,000 pcs/hour	—

Terminal Product No.	Terminal HRS No.	Tool Part No.	Tool HRS No.
GT25H-2024SCF	775-0039-6	AP105-GT25H-2024S	901-5206-3
GT25HB-2428SCF	775-0070-6	AP105-GT25HB-2428S	901-5230-8

Note : Crimp height setting tables are available for each cable type. Please contact your nearest Hirose Electric account representative.
Different cables will require different crimp height settings.

● Hand tooling



HRS No.	Part No.	Applicable wire
780-0044-1 00	HT304/GT25H-2024S	GT25H-2024SCF

Note : HT304/GT25H-2024S is rated for 0.3SQ (22 AWG) or 0.5SQ (20 AWG) cable only.
HT304/GT25H-2024S can not terminate 0.2SQ (24 AWG) cable.

Mouser Electronics

Authorized Distributor

Click to View Pricing, Inventory, Delivery & Lifecycle Information:

[Hirose Electric:](#)

[GT25-12DS-HU/RE-MD](#) [GT25H/RE-MD](#) [GT25-2630SCF](#) [GT25-2428SCF](#) [GT25-2024SCF](#) [GT25-40DP-2.2H](#) [GT25-8DP-2.2H](#) [GT25D2-20DP-2.2H](#) [GT25HB-2428SCF](#) [GT25D-12DP-2.2H](#) [GT25-8P-2.2H\(70\)](#) [GT25H-24DP-2.2H](#) [GT25-8DP-2.2H\(32\)](#) [GT25-32DP-2.2H](#) [GT25D2-12DP-2.2H](#) [GT25H-20DP-2.2H](#) [GT25H2-8DP-2.2H](#) [GT25-12DP-2.2H](#) [GT25-24DP-2.2H](#) [GT25HA-2024SCF\(01\)](#) [GT25H-2024SCF](#) [GT25H-2024SCF\(02\)](#) [GT25HA-2024SCF](#) [GT25H-12DP-2.2H](#) [GT25-16DP-2.2H](#) [GT25-32DS-HU](#) [GT25-8DP-2.2H\(01\)](#) [GT25-12DP-2.2V\(01\)](#) [GT25-12DP-2.2H\(01\)](#) [GT25-24DS-HU](#) [GT25-24DP-2.2V\(01\)](#) [GT25H-32DP-2.2V](#) [GT25-12DS-R](#) [GT25-24DS-R](#) [GT25-32DP-2.2V\(01\)](#) [GT25H-12DP-2.2V](#) [GT25-16DS-HU/R](#) [GT25-24DS-HU/R](#) [GT25-28DP-2.2H\(01\)](#) [GT25-24DP-2.2V\(A\)\(30\)](#) [GT25-32DS-HU/R](#) [GT25-40DP-2.2V\(01\)](#) [GT25-32DS-R](#) [GT25-12DS-HU/R](#) [GT25-32DP-2.2H\(01\)](#) [GT25-8DS-HU/R](#) [GT25-16DP-2.2V\(01\)](#) [GT25-12DS-HU](#) [GT25-20DS-HU/R](#) [GT1AS/CA-MP](#) [GT25H2-40DP-2.2H](#) [GT25-12DS-HU/R\(50\)](#) [GT25H2-8DP-2.2V](#) [GT25H2-32DP-2.2H](#) [GT25H2-24DP-2.2H\(99\)](#) [GT25H2-12DP-2.2H](#) [GT25-40DS-HU](#) [GT25H2-20DP-2.2H\(99\)](#) [GT25-40DS-R](#) [GT25H2-16DP-2.2H](#) [GT25-12DS-HU\(50\)](#) [GT25-8DP-2.2H\(22\)](#) [GT25H2-4P-2.2H](#) [GT25H2-24DP-2.2V](#) [GT25H2-40DP-2.2V](#)