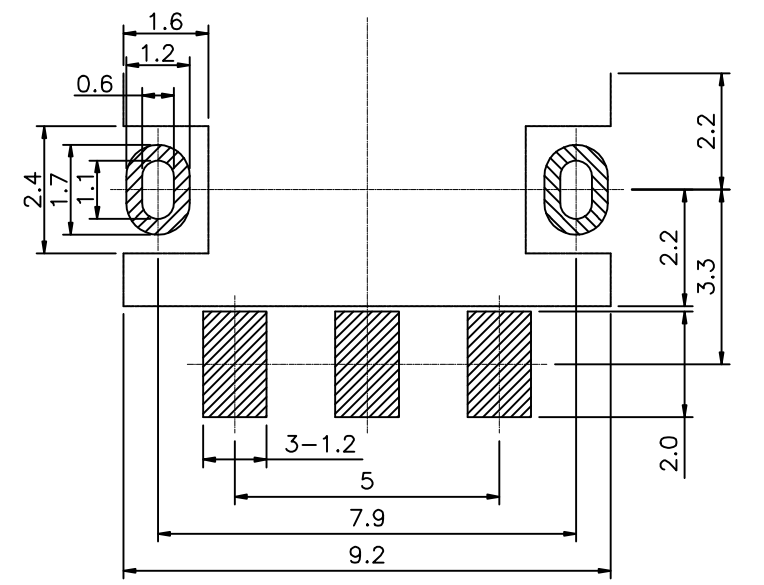
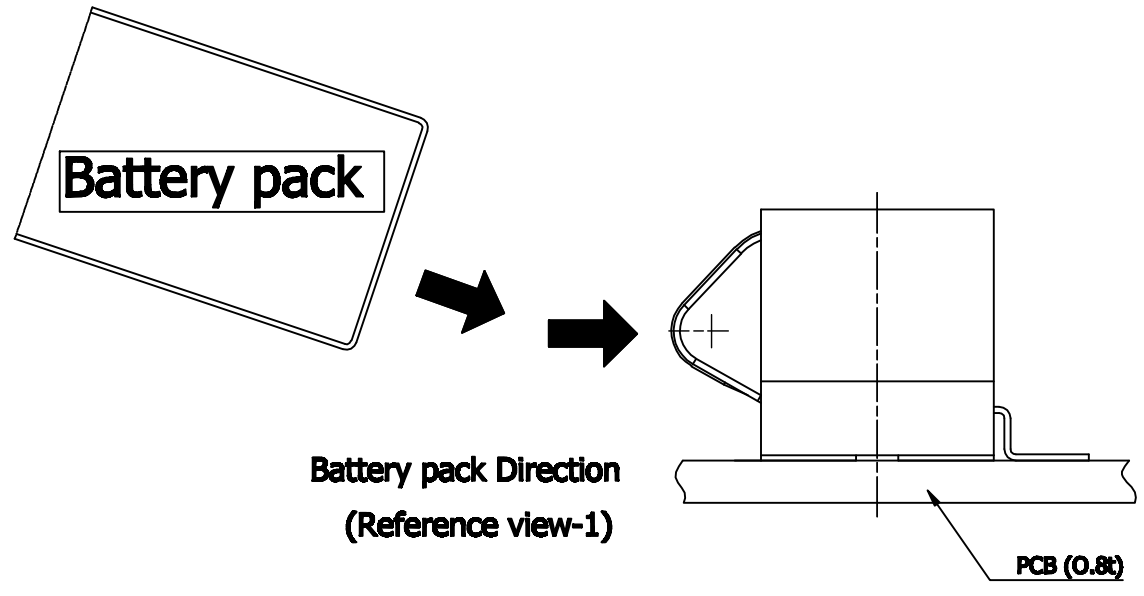
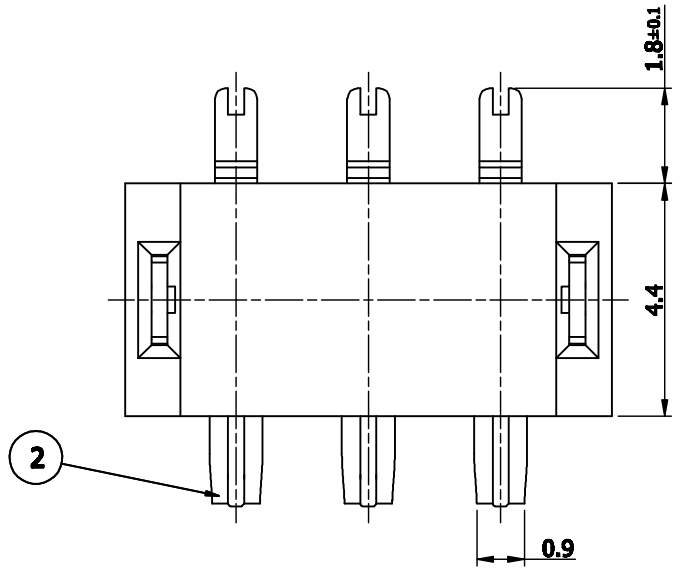


품번 No	수령내용 Description	날짜 Date	작성 Drawn	승인 Approved

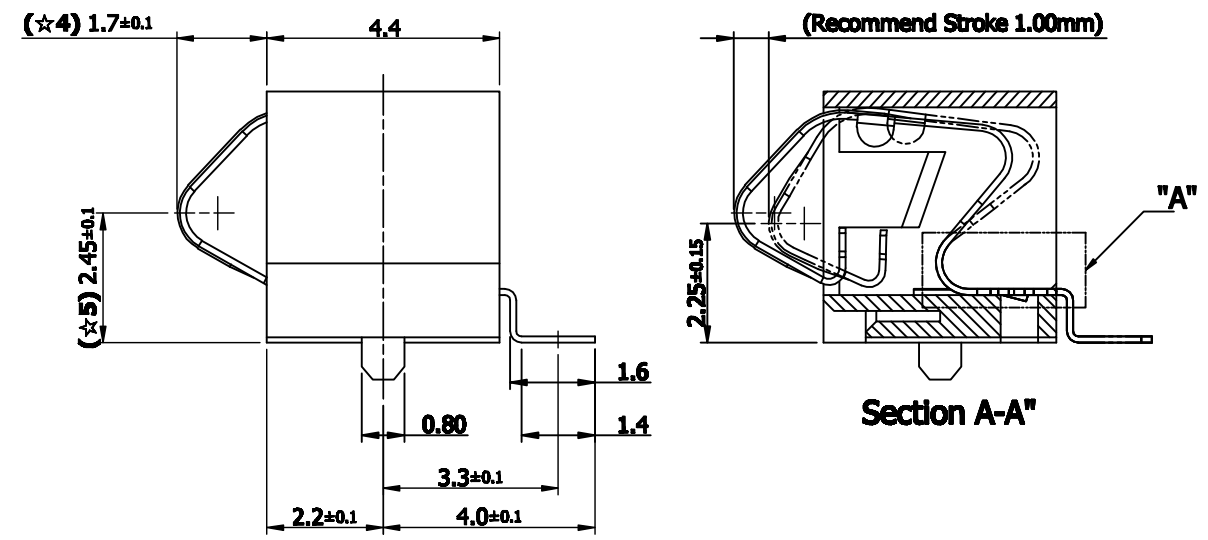
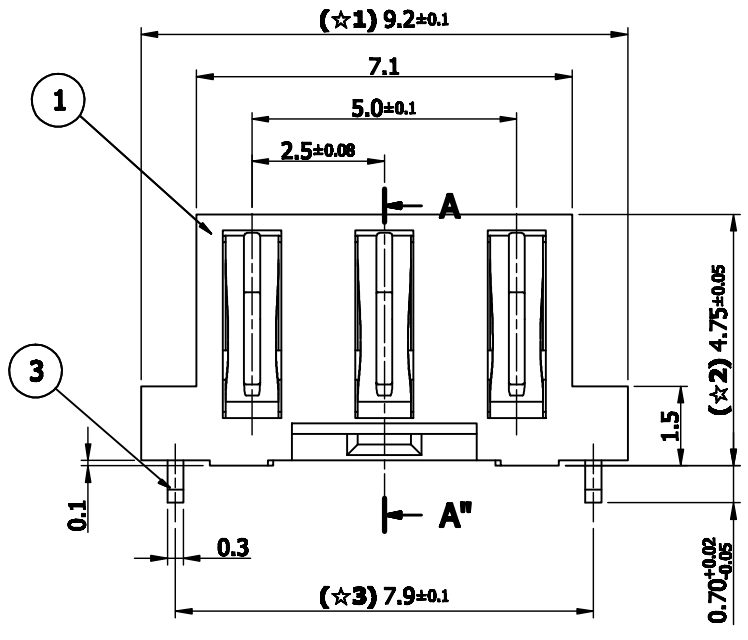
D

D



C

C



PCB Layout Recommend
Tolerance = ±0.05

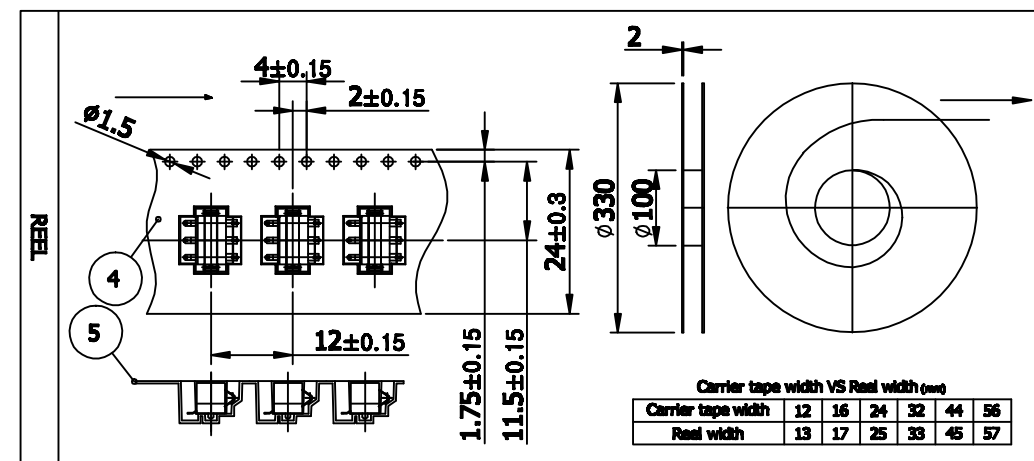
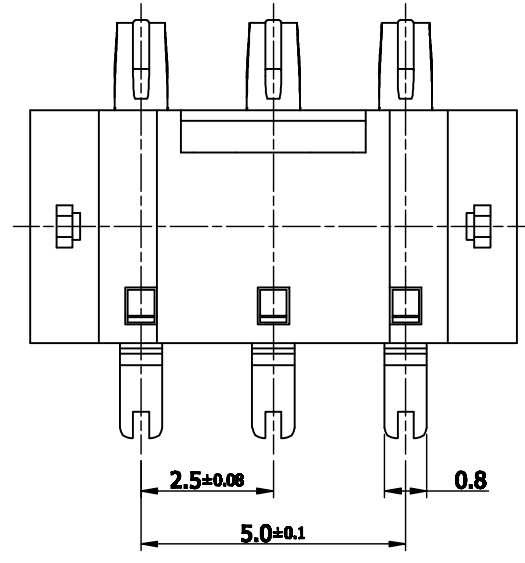
B

B

- Note -
1. Tolerance : X.X = ±0.1 / X.XX = ±0.05
 2. Co-planarity: Terminal 0.08mm Max.
 3. () Dimension is duplicated or reference
 4. ☆ = C.T.Q

A

A



Carrier tape width	12	16	24	32	44	56
Reel width	13	17	25	33	45	57

품번 No	부품명칭 Part name	수량 Qty	재질 Material	처리 Finish	비고 Remark
05	TOP TAPE		PS-PET		
04	EMBOSS TAPE	1/700	PS		
03	T-BRACKET	2	BRASS	Ni-Sn	0.3t
02	TERMINAL	3	TiCu	Ni-Au(0.3μm Min)	0.12t
01	INSULATOR	1	PA46	UL94V-0, BLACK	

제도 DRW	CKH	05/26	부품명칭 Part name	ASSY	모델명칭 Model name	SP BATTERY CONNECTOR RIGHT ANGLE
설계 DSG	CKH	05/26	부품번호 Part No.		모델번호 Model No.	202-03000-00347
검도 CHK	HRH	05/27	날짜 Date	10.05.26	도면크기 Size	A3
승인 APP	LSH	05/27	판도 Scale	1/1	단위 Unit	mm

Amphenol CIK

Mouser Electronics

Authorized Distributor

Click to View Pricing, Inventory, Delivery & Lifecycle Information:

[Amphenol:](#)

[202-03000-00347](#)