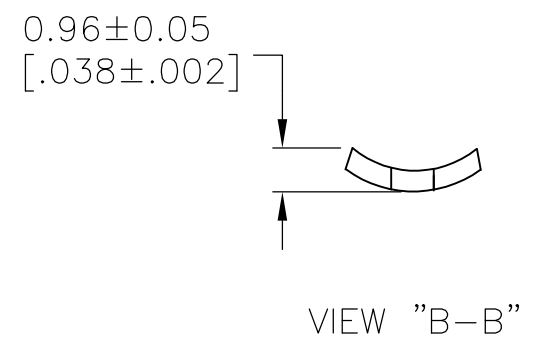
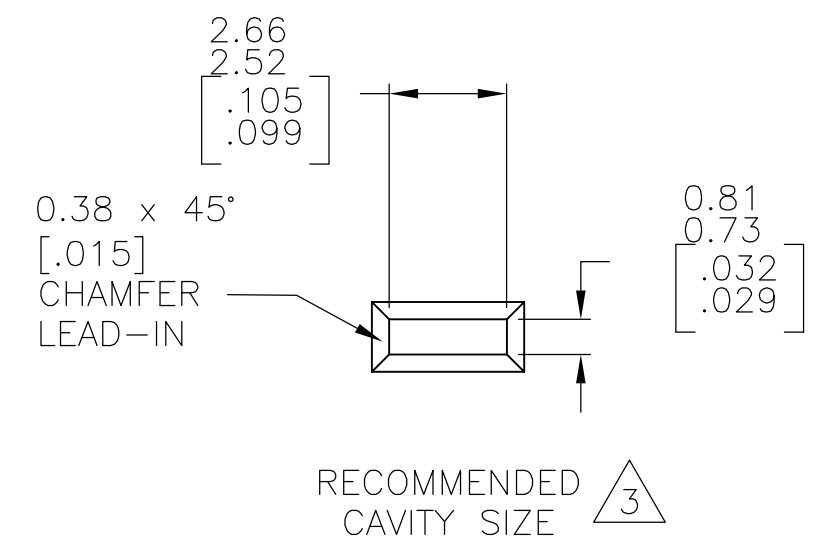
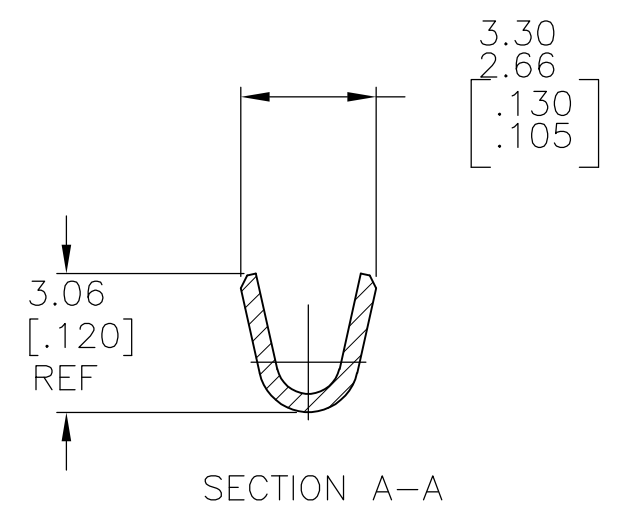
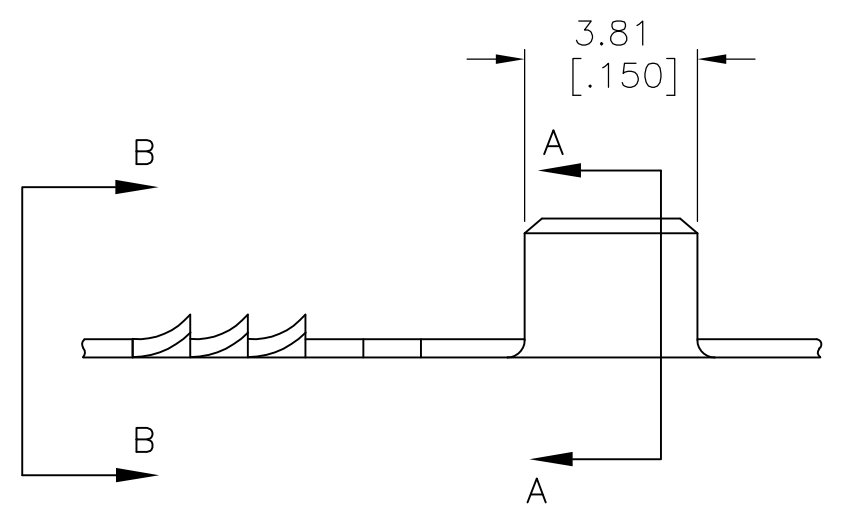
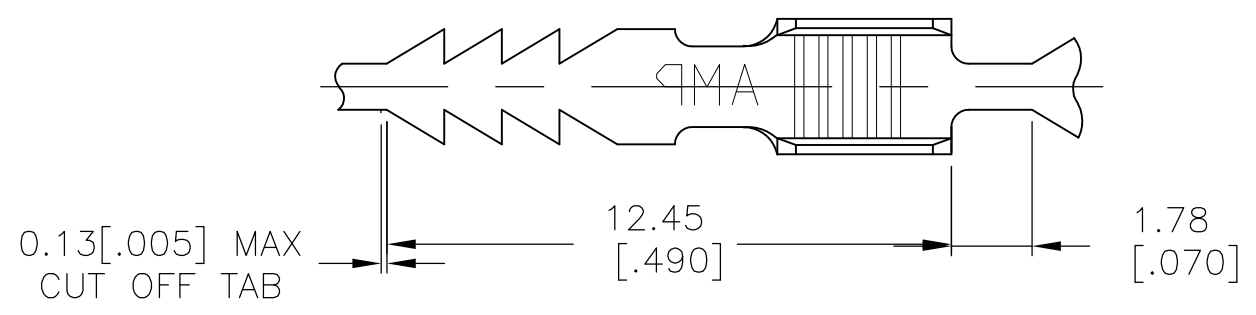


THIS DRAWING IS UNPUBLISHED. RELEASED FOR PUBLICATION
 © COPYRIGHT - By - ALL RIGHTS RESERVED.

| LOC | DIST | REVISIONS | | | |
|-----|------|-------------|---------------------------|-----------|--------|
| P | LTR | DESCRIPTION | DATE | DWN | APVD |
| AF | 50 | J2 | REVISED PER ECR-15-007944 | 15JUL2015 | GRZ JL |

- 1 PRODUCT PROVIDED IN STRIP FORM ON REELS; BREAKS MAY BE PRESENT.
- 2 1 # 18 AWG STANDARD WITH 1# 32-22 AWG MAGNET WIRE
- △3 CAVITY DEPTH: 5.08[.200]



| | | |
|----------|------------------------|-------------|
| | LARGE REEL SPLICE FREE | 62192-3 |
| OBSOLETE | REVERSE | 62192-2 |
| | STANDARD | 62192-1 |
| | REELING | PART NUMBER |

| | | | | | | |
|--|------------|---------------------------|----------------------------|-----------|------------|---------------|
| THIS DRAWING IS A CONTROLLED DOCUMENT. | | DWN RAGHAVENDRA 22JAN2008 | STE TE Connectivity | | | |
| DIMENSIONS: mm [INCHES] | | CHK G PORTA 22JAN2008 | | | | |
| TOLERANCES UNLESS OTHERWISE SPECIFIED: | | APVD G PORTA 22JAN2008 | NAME | | | |
| 0 PLC ± - | | PRODUCT SPEC | AMPLIVAR BOBBIN TAB | | | |
| 1 PLC ± - | | APPLICATION SPEC | SIZE | CAGE CODE | DRAWING NO | RESTRICTED TO |
| 2 PLC ± 0.38 [.015] | | WEIGHT - | A3 | 00779 | C-62192 | - |
| 3 PLC ± - | | CUSTOMER DRAWING | SCALE | SHEET | REV | |
| 4 PLC ± - | | | 6:1 | 1 OF 1 | J2 | |
| ANGLES ± 1° 0' | | | | | | |
| MATERIAL .016 BRASS | FINISH TIN | | | | | |

Mouser Electronics

Authorized Distributor

Click to View Pricing, Inventory, Delivery & Lifecycle Information:

[TE Connectivity:](#)

[62192-1](#)