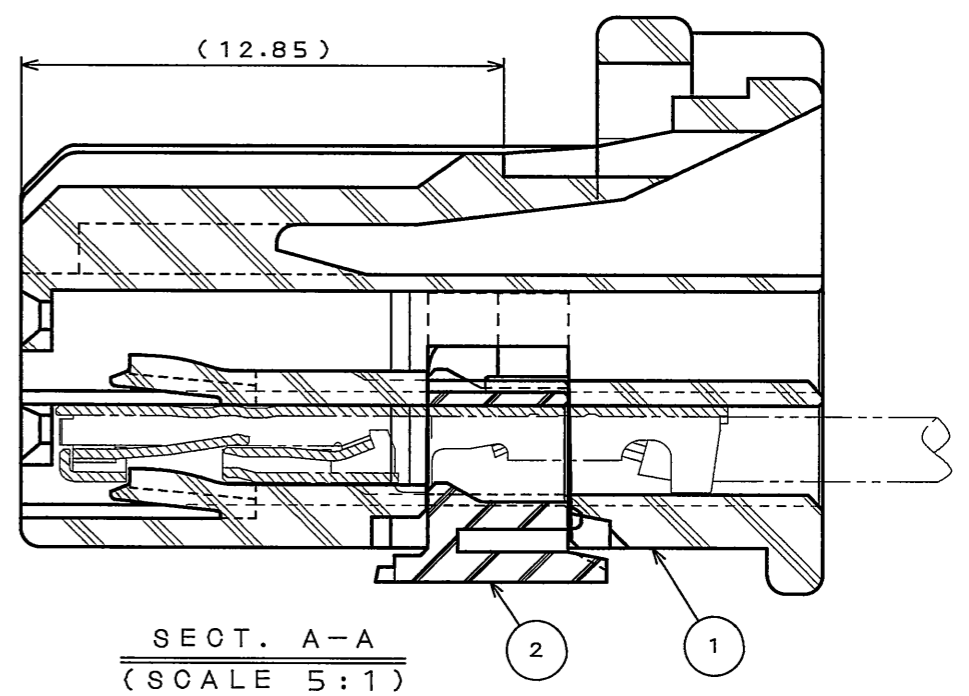
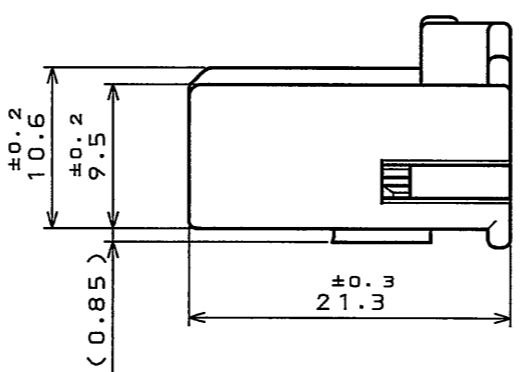
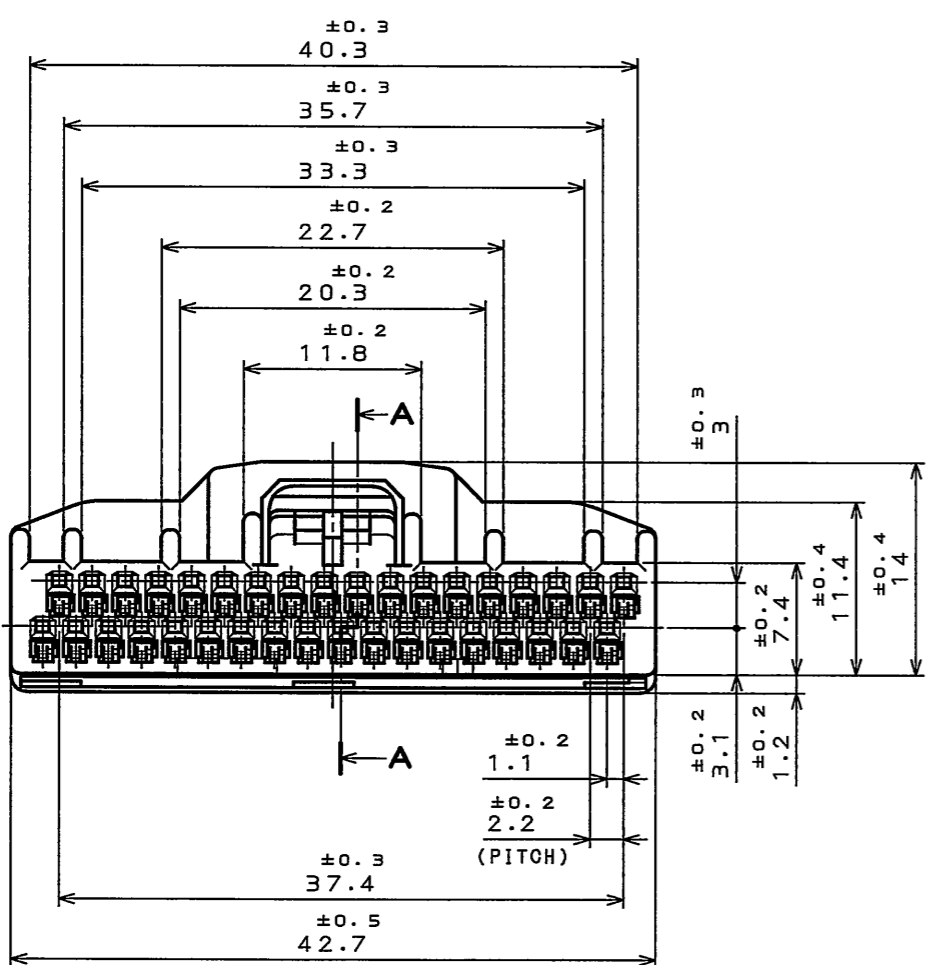
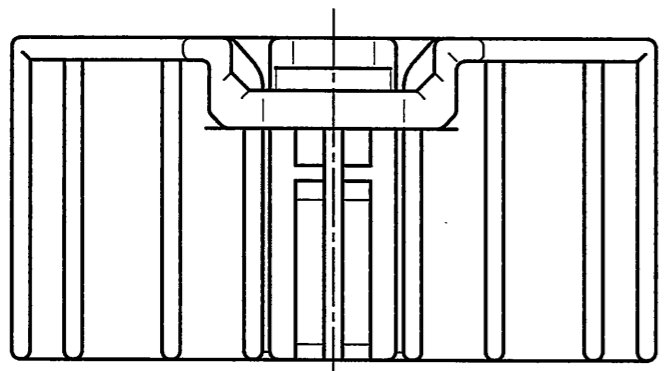


0Z2001RS  
(ON 0NIMVRO)台架図

| 版数<br>REV. | 年月日<br>DATE | DCN NO. | 変更内容<br>DESCRIPTION                          | 製図<br>DR. | 担当<br>CHK. | 査閲<br>APPD. | 承認<br>APPD. |
|------------|-------------|---------|--|-----------|------------|-------------|-------------|
| 2          | 30.Sep.2008 | 066411  | DELETE HOUSING<br>COLOR SETTING LIST         |           | Y.WATANABE | K.MIYAMOTO  | T.KUME      |
| 3          | 14.Nov.2008 | 066892  | CHANGE OF TERMINAL<br>MATERIALS PLATING LIST |           | Y.WATANABE | K.Miyamoto  | T.Kume      |

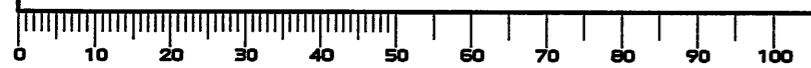
△△ TABLE1: TERMINAL MATERIALS AND PLATING LIST (端子材料・メッキ設定コード表)

| CODE | PART TITLE | SJ No. | MATERIALS                         | PLATING              | APPLICABLE WIRE  |
|------|------------|--------|-----------------------------------|----------------------|--|
| S    | M34S7504F1 | 038527 | HIGH CONDUCTIVITY<br>COPPER ALLOY | TIN PLATING<br>スズめっき | CHFUS 0.22sq. AVSS 0.3sq. CHFUS 0.35sq.<br>ALL CAVITIES CAN BE APPLIED. 全キャビティ対応                         |
| M    | M34S7504F2 | 038528 | 高導電性銅合金                           |                      | CHFUS 0.5sq. AVSS 0.5sq. CAVS 0.5sq. CHFS 0.75sq. CHFUS 0.75sq.<br>ALL CAVITIES CAN BE APPLIED. 全キャビティ対応 |
| C    | M34S7504F3 | 038747 |                                   |                      | CAN SD 0.35sq.<br>FOUR BOTH ENDS CAVITIES CAN BE APPLIED.<br>両端4箇所キャビティ対応                                |
| L    | M34S7504F4 | 038893 |                                   |                      | AVSS 0.85sq. CAVS 0.85sq.<br>FOUR BOTH ENDS CAVITIES CAN BE APPLIED.<br>両端4箇所キャビティ対応                     |
| X    | M34S7504F5 | 109336 |                                   |                      | CHFUS 0.13sq.<br>ALL CAVITIES CAN BE APPLIED. 全キャビティ対応   |



|   |                   |                                   |                    |   |   |
|---|-------------------|-----------------------------------|--------------------|---|---|
| 2   | RETAINER          | 1                                 | PPE+PA66(ALLOY)    |   | COLOR:BLACK                               |
| 1   | HOUSING           | 1                                 | PPE+PA66(ALLOY)    |   | COLOR:GRAY                                |
| 符号<br>NO.                                       | 名称<br>DESCRIPTION | 個数<br>QTY.                        | 材<br>料<br>MATERIAL | 仕<br>上<br>FINISH  | 備<br>考<br>REMARKS                         |
| 仕様書(SPECIFICATION)<br>JAOS-1754<br>△ J AHL-1754 |                   | 第1版(ORIGINAL DATE)<br>18.Nov.2003 |                    | 尺<br>度(SCALE)<br>2:1  | シ<br>リ<br>ー<br>ズ(SERIES)<br>MX34          |
| 公差(GENERAL TOLERANCE)                           |                   | 製<br>図<br>DR.<br>J.ICHIMYAMA      |                    | 名<br>称(TITLE)<br>MX34036SF1                                     |   |
| 寸法(DIMENSION)                                   |                   | 担<br>当<br>CHK.<br>N.TOUDOU        |                    | 日本航空電子工業株式会社<br>JAPAN AVIATION<br>ELECTRONICS<br>INDUSTRY, LTD. |   |
| 角度(ANGLES)                                      |                   | 査<br>閲<br>APPD.                   |                    |   |   |
| . ±0.8  |                   | 承<br>認<br>APPD.<br>T.TOTANI       |                    |   |   |
| .X ±0.4   |                   |                                   |                    |   |   |
| .XX ±0.1  |                   |                                   |                    | 質<br>量(MASS)<br>4.8g  | 図<br>面<br>番<br>号(DRAWING NO.)<br>SJ100270 |
| .XXX ±  |                   |                                   |                    |   | 版<br>数<br>(REV.)<br>3                     |

DOF-0-212F(05.08)



# Mouser Electronics

Authorized Distributor

Click to View Pricing, Inventory, Delivery & Lifecycle Information:

[JAE Electronics:](#)

[MX34036SF1](#)