

EMI SPRING FINGER

PART NO. AND WEEK/YEAR DATE CODE TO BE STAMPED ON THE SIDE OF COMPLETED CAGE ASSEMBLY APPROXIMATELY AS SHOWN

WEEK/YEAR DATE CODE TABLE	
WK	01 THRU 52 OR 53 EXAMPLE: 01 = FIRST WEEK OF YEAR 52= LAST WEEK OF THE YEAR
YR	17, 18, 19 ETC. EXAMPLE: YEAR 2017 = 17

NOTES:

- MATERIAL:
CAGE: NICKEL PLATED COPPER ALLOY, THICKNESS 0.25mm
SPRING FINGER: NICKEL PLATED COPPER ALLOY, THICKNESS 0.10mm
- PRESS FIT LEGS 3.05 LONG -
1.57 MINIMUM PCB THICKNESS FOR SINGLE SIDED USE
- PORTS ARE DESIGNED FOR SFP+ TRANSCEIVERS AND ARE BACKWARDS COMPATIBLE WITH SFP TRANSCEIVERS
- NO RoHS EXEMPTIONS.

THIS DRAWING CONTAINS INFORMATION THAT IS PROPRIETARY TO MOLEX ELECTRONIC TECHNOLOGIES, LLC AND SHOULD NOT BE USED WITHOUT WRITTEN PERMISSION

SEE REVISION TABLE EC NO: 114175 DRWN: PGSHETTY CHKD: DSUN15 REV / APPR: RCHEN08	GENERAL TOLERANCES (UNLESS SPECIFIED)		DIMENSION UNITS	SCALE	
	ANGULAR TOL ± 1.0 °		MM	3:1	
	4 PLACES ±	DRWN BY	DATE		
	3 PLACES ±	PGSHETTY	2017/01/25		
2 PLACES ± 0.15	CHKD BY	DATE		SFP+ 1X1 PCI CAGE WITH SPRING FINGERS PRESS FIT	
1 PLACE ± 0.25	DSUN15	2017/03/13			
0 PLACES ±	APPR BY	DATE			
DRAFT WHERE APPLICABLE MUST REMAIN WITHIN DIMENSIONS		RCHEN08	2017/04/06		PRODUCT CUSTOMER DRAWING
D	C	DRAWING SIZE	THIRD ANGLE PROJECTION		SERIES
		C			MATERIAL NUMBER
					74754
					747540104
					CUSTOMER
					747540104
					DOC TYPE
					PSD
					DOC PART
					ASY
					SHEET NUMBER
					1 OF 4

PCB LAYOUT FOR SINGLE SIDE MOUNT

HATCHED AREA DENOTES COMPONENT AND TRACE KEEP-OUTS (EXCEPT CHASSIS GROUND)

10X $\varnothing 1.05 \pm 0.05$
(SHOWN AS \oplus)

$\oplus 0.1$ A B

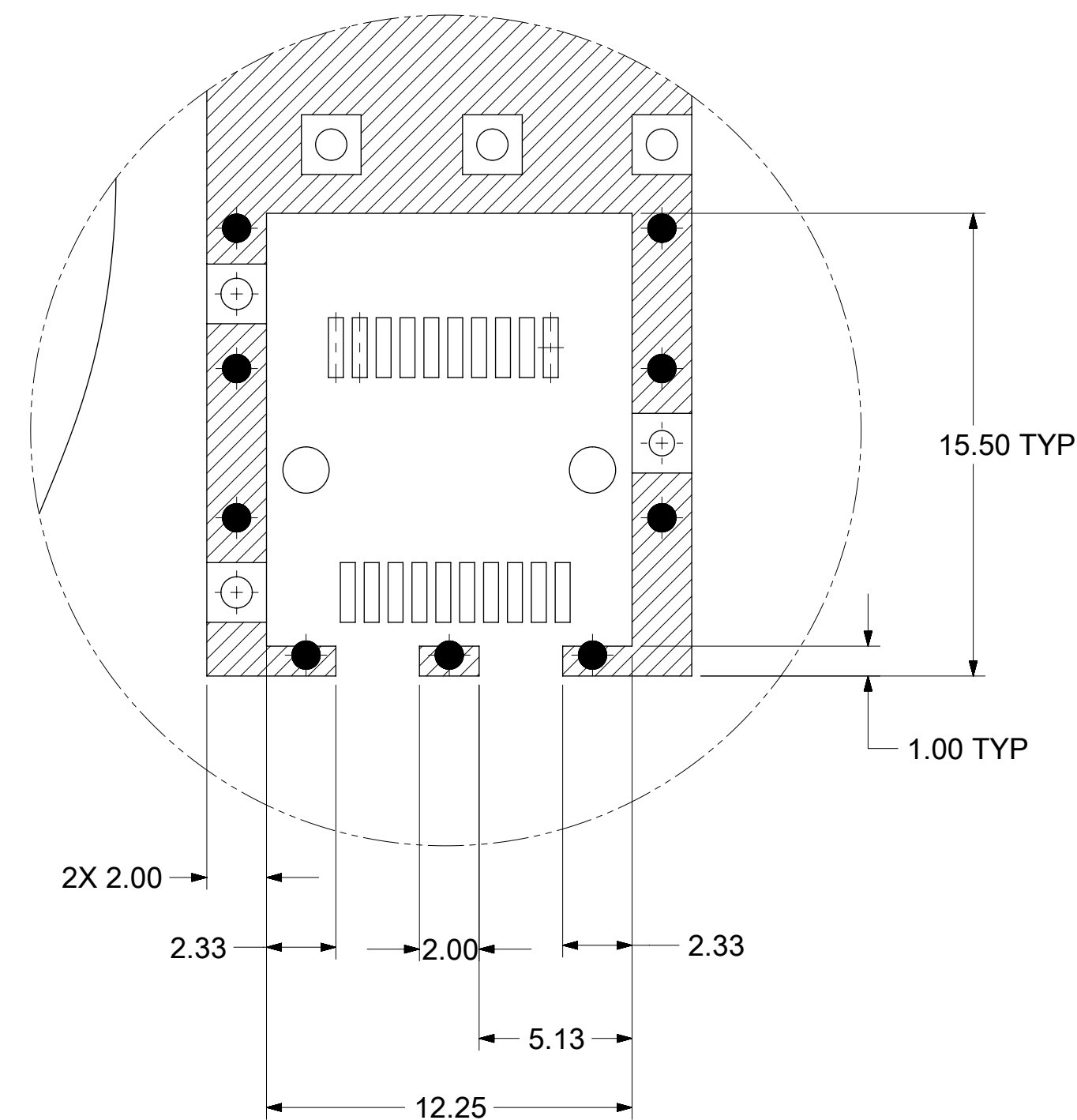
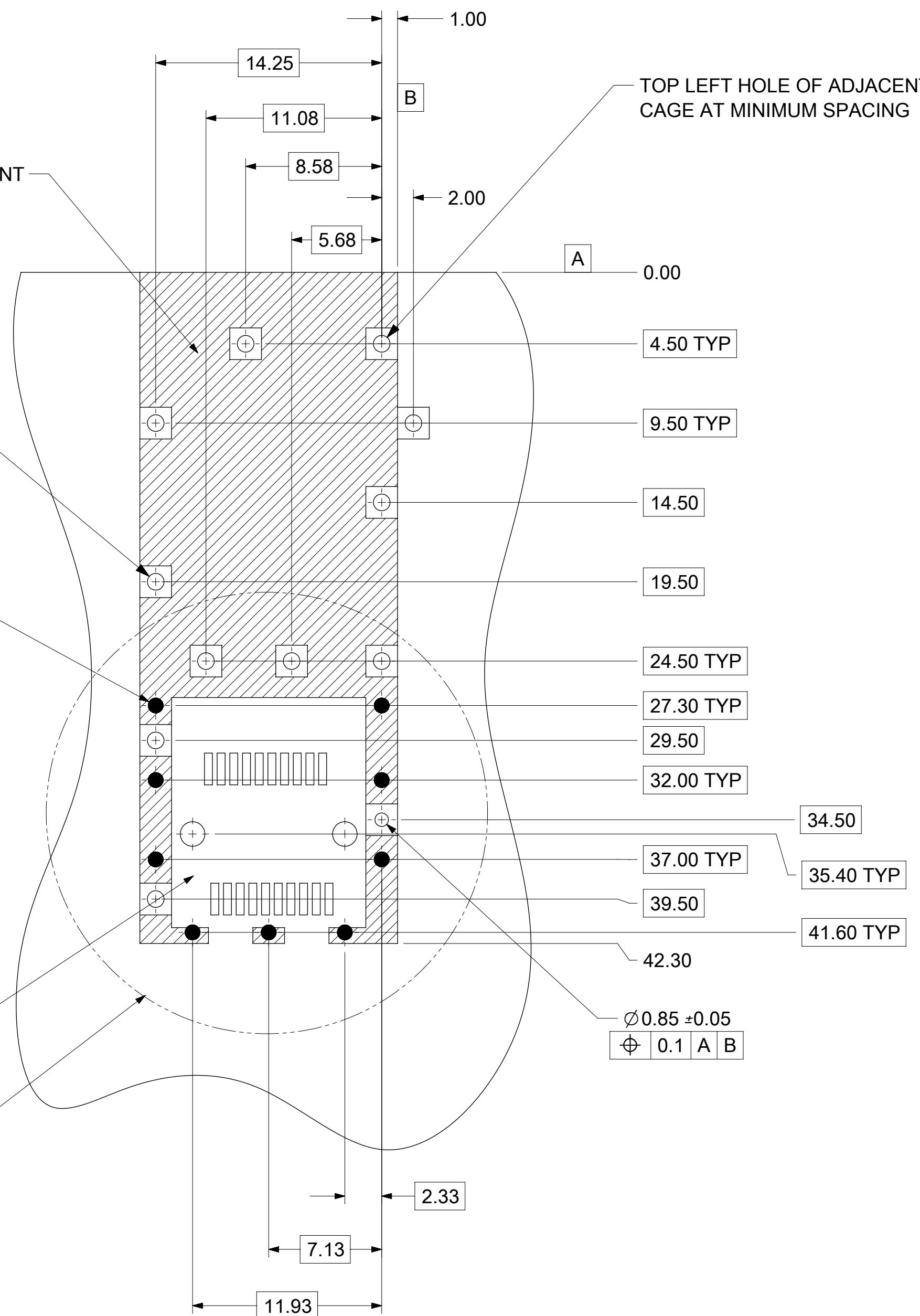
9X $\varnothing 0.95 \pm 0.05$
(SHOWN AS \bullet)

$\bullet 0.1$ A B

THIS AREA DENOTES COMPONENT KEEP-OUT (TRACES ALLOWED)

SEE DETAIL 1

TOP LEFT HOLE OF ADJACENT CAGE AT MINIMUM SPACING

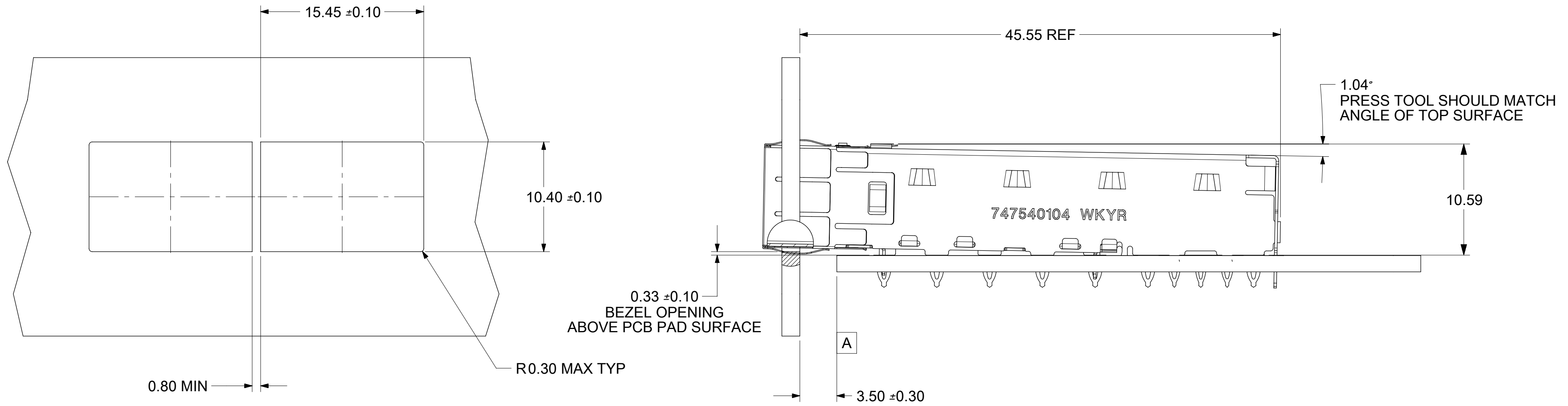


DETAIL 1
SCALE 10:1

THIS DRAWING CONTAINS INFORMATION THAT IS PROPRIETARY TO MOLEX ELECTRONIC TECHNOLOGIES, LLC AND SHOULD NOT BE USED WITHOUT WRITTEN PERMISSION

SEE REVISION TABLE	EC NO: 114175	2017/01/25	GENERAL TOLERANCES (UNLESS SPECIFIED)	DIMENSION UNITS	SCALE	molex			
	DRWN: PGSHETTY	2017/03/13		MM	4:1				
	CHKD: DSUN15	2017/04/06		ANGULAR TOL $\pm 1.0^\circ$	DRWN BY		DATE		
	REV / APPR: RCHEN08			4 PLACES \pm	PGSHETTY		2017/01/25		
			3 PLACES \pm	CHKD BY	DATE	SFP+ 1X1 PCI CAGE WITH SPRING FINGERS PRESS FIT			
			2 PLACES ± 0.15	DSUN15	2017/03/13				
			1 PLACE ± 0.25	APPR BY	DATE				
			0 PLACES \pm	RCHEN08	2017/04/06				
			DRAFT WHERE APPLICABLE MUST REMAIN WITHIN DIMENSIONS	DRAWING SIZE	THIRD ANGLE PROJECTION	PRODUCT CUSTOMER DRAWING			
				C		SERIES	MATERIAL NUMBER	CUSTOMER	
						74754	747540104		
						DOCUMENT NUMBER	DOC TYPE	DOC PART	SHEET NUMBER
						747540104	PSD	ASY	2 OF 4

BEZEL AND BOARD POSITION DIMENSIONS FOR SINGLE SIDE MOUNTING (SPRING FINGER)



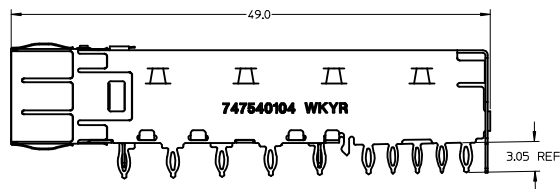
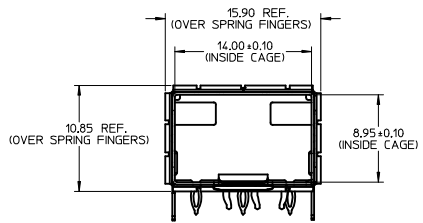
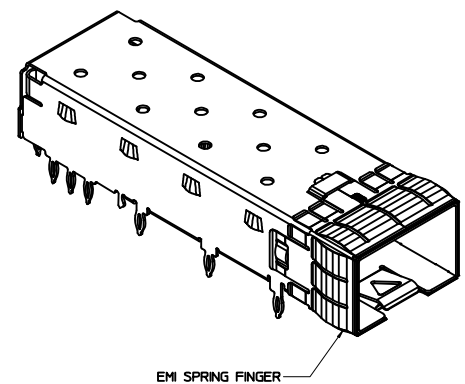
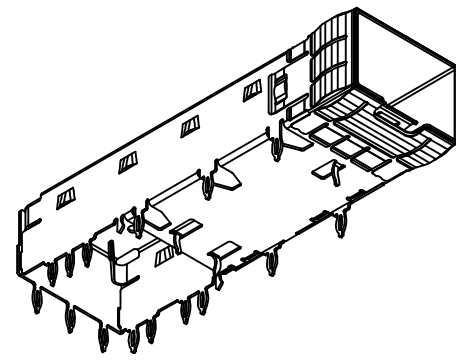
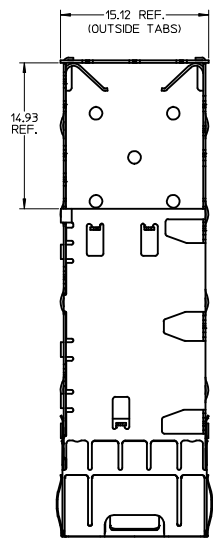
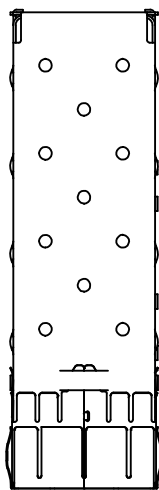
THIS DRAWING CONTAINS INFORMATION THAT IS PROPRIETARY TO MOLEX ELECTRONIC TECHNOLOGIES, LLC AND SHOULD NOT BE USED WITHOUT WRITTEN PERMISSION

SEE REVISION TABLE EC NO: 114175 DRWN: PGSHETTY CHKD: DSUN15 REV / APPR: RCHEN08	2017/01/25 2017/03/13 2017/04/06	GENERAL TOLERANCES (UNLESS SPECIFIED) ANGULAR TOL ± 1.0 °	DIMENSION UNITS MM	SCALE 3.5:1	<div style="font-size: 2em; font-weight: bold; margin-bottom: 10px;">molex®</div> SFP+ 1X1 PCI CAGE WITH SPRING FINGERS PRESS FIT
	DRWN BY DATE PGSHETTY 2017/01/25		CHKD BY DATE DSUN15 2017/03/13		
	APPR BY DATE RCHEN08 2017/04/06		SERIES MATERIAL NUMBER CUSTOMER 74754 747540104		
	DRAFT WHERE APPLICABLE MUST REMAIN WITHIN DIMENSIONS		DRAWING SIZE THIRD ANGLE PROJECTION C		
D		C		DOCUMENT NUMBER 747540104 DOC TYPE PSD DOC PART ASY SHEET NUMBER 3 OF 4	

REV	DATE	DESCRIPTION
A	2007/05/23	INITIAL RELEASE
B	2008/03/26	REVISED
C	2013/07/22	REGENERATED ISO VIEW
D	2017/01/20	REMASTERED FROM "SD-74754-0104 REV_C" TO "747540104 PSD ASY REV_D" IN NX SHEET 1 : B7 : ADDED DATE CODE TABLE SHEET 3 : E8 : ADDED DIM R 0.30 MAX TYP

THIS DRAWING CONTAINS INFORMATION THAT IS PROPRIETARY TO MOLEX ELECTRONIC TECHNOLOGIES, LLC AND SHOULD NOT BE USED WITHOUT WRITTEN PERMISSION

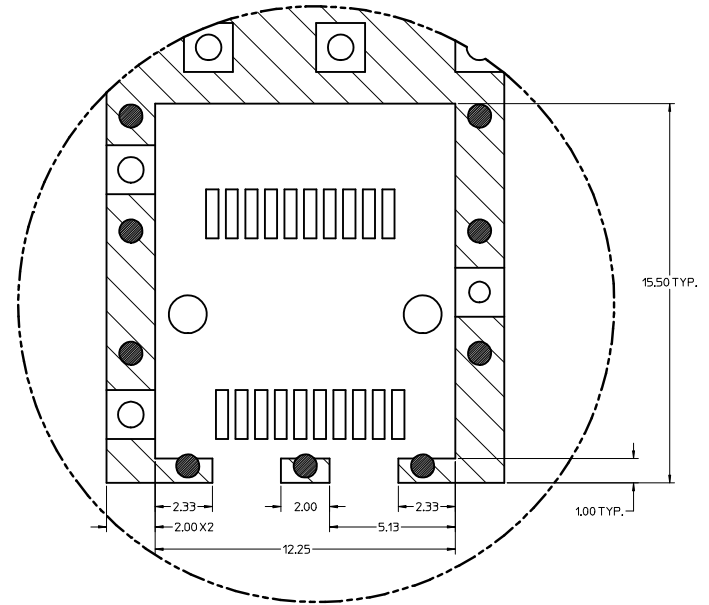
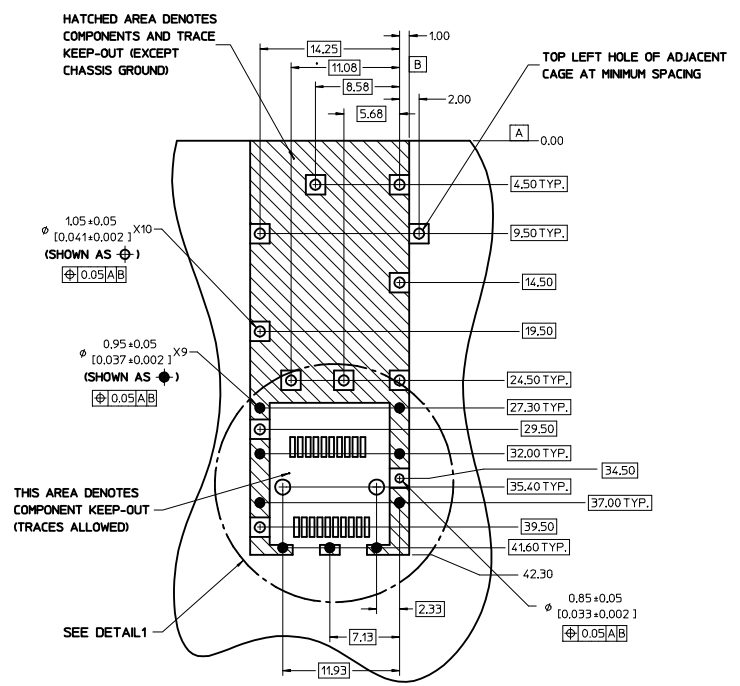
SEE REVISION TABLE	EC NO: 114175	2017/01/25	GENERAL TOLERANCES (UNLESS SPECIFIED)	DIMENSION UNITS	SCALE	molex SFP+ 1X1 PCI CAGE WITH SPRING FINGERS PRESS FIT				
	DRWN: PGSHETTY	2017/03/13		MM	1:1					
	CHKD: DSUN15	2017/04/06		ANGULAR TOL ± 1.0 °	DRWN BY		DATE			
	REV / APPR: RCHEN08			4 PLACES ±	PGSHETTY		2017/01/25			
				3 PLACES ±	CHKD BY		DATE			
				2 PLACES ± 0.15	DSUN15		2017/03/13			
				1 PLACE ± 0.25	APPR BY		DATE			
				0 PLACES ±	RCHEN08		2017/04/06			
				DRAFT WHERE APPLICABLE MUST REMAIN WITHIN DIMENSIONS	DRAWING SIZE		THIRD ANGLE PROJECTION	SERIES	MATERIAL NUMBER	CUSTOMER
					C			74754	747540104	
					DOCUMENT NUMBER	DOC TYPE	DOC PART	SHEET NUMBER		
					747540104	PSD	ASY	4 OF 4		



- NOTES:**
- MATERIAL:**
 CAGE: NICKEL PLATED COPPER ALLOY, THICKNESS 0.25mm
 SPRING FINGER: NICKEL PLATED COPPER ALLOY, THICKNESS 0.10mm
 - PRESS FIT LEGS 3.05 LONG -
 1.57 MINIMUM PCB THICKNESS FOR SINGLE SIDED USE
 - PORTS ARE DESIGNED FOR SFP+ TRANSCEIVERS AND ARE BACKWARDS COMPATIBLE WITH SFP TRANSCEIVERS
 - NO RoHS EXEMPTIONS.

UPDATE ISO VIEW IEC NO: CPG2014-0215 DRAWNSYANG16 2013/07/22 CHKD: APPR:RTSAL 2013/07/22	QUALITY SYMBOLS	GENERAL TOLERANCES (UNLESS SPECIFIED)	DIMENSION STYLE	SCALE	DESIGN UNITS	THIRD ANGLE PROJECTION
	▽=0	4 PLACES ± mm ± INCH	MM ONLY	4:1	METRIC	
	▽=0	3 PLACES ± 0.15				
	▽=0	2 PLACES ± 0.25				
		0 PLACE ±				
		ANGULAR ± 1 °				
		DRAFT WHERE APPLICABLE MUST REMAIN WITHIN DIMENSIONS				
			MATERIAL NO.		DOCUMENT NO.	SHEET NO.
			747540104		SD-74754-0104	1 OF 4
			THIS DRAWING CONTAINS INFORMATION THAT IS PROPRIETARY TO MOLEX INCORPORATED AND SHOULD NOT BE USED WITHOUT WRITTEN PERMISSION			

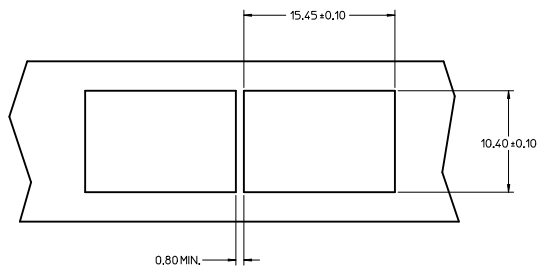
PCB LAYOUT FOR SINGLE SIDE MOUNT



DETAIL1
SCALE 10:1
HOST CONNECTOR DETAIL

UPDATE ISO VIEW EC NO: CPG2014-0215 DRAWN BY: CHYD APPR: RUSSELL 2013/07/22 2013/07/22	QUALITY SYMBOLS	GENERAL TOLERANCES (UNLESS SPECIFIED)	DIMENSION STYLE	SCALE	DESIGN UNITS	THIRD ANGLE PROJECTION
	▽=0	mm INCH	MM ONLY	4:1	METRIC	
	▽=0	4 PLACES ± mm INCH	DRAWN BY: PSYTSMA	DATE: 2007/05/23	TITLE: SFP+ 1X1 PCI CAGE WITH SPRING FINGERS PRESS FIT	
	▽=0	3 PLACES ± mm INCH	CHECKED BY: BRUSSELL	DATE: 2007/05/23		
		ANGULAR ± 1 °	APPROVED BY: BRUSSELL	DATE: 2007/05/23		
		DRAFT WHERE APPLICABLE MUST REMAIN WITHIN DIMENSIONS	MATERIAL NO: 747540104	DOCUMENT NO: SD-74754-0104		SHEET NO: 2 OF 4
			THIS DRAWING CONTAINS INFORMATION THAT IS PROPRIETARY TO MOLEX INCORPORATED AND SHOULD NOT BE USED WITHOUT WRITTEN PERMISSION			

BEZEL AND BOARD POSITION DIMENSIONS FOR SINGLE SIDE MOUNTING
(SPRING FINGER)



UPDATE ISO VIEW EC NO: CPG2014-0215 CHYK: DRWNSYANG16 APPR: TSAL 2013/07/22	QUALITY SYMBOLS ∇=0 ∇=0 ∇=0	GENERAL TOLERANCES (UNLESS SPECIFIED)		DIMENSION STYLE MM ONLY	SCALE 4:1	DESIGN UNITS METRIC	THIRD ANGLE PROJECTION
		4 PLACES ± --- ± --- 3 PLACES ± --- ± --- 2 PLACES ± 0.15 ± --- 1 PLACE ± 0.25 ± --- 0 PLACE ± ±	mm INCH ± --- ± --- ± --- ± --- ± --- ± --- ± --- ± ---	DRAWN BY PSYTSMA 2007/05/23	DATE 2007/05/23	TITLE SFP+ 1X1 PCI CAGE WITH SPRING FINGERS PRESS FIT	MATERIAL NO. 747540104
DRAFT WHERE APPLICABLE MUST REMAIN WITHIN DIMENSIONS		THIS DRAWING CONTAINS INFORMATION THAT IS PROPRIETARY TO MOLEX INCORPORATED AND SHOULD NOT BE USED WITHOUT WRITTEN PERMISSION					

