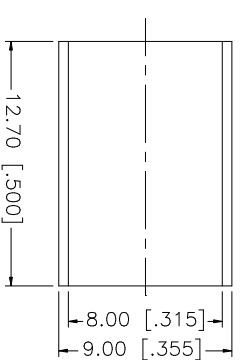
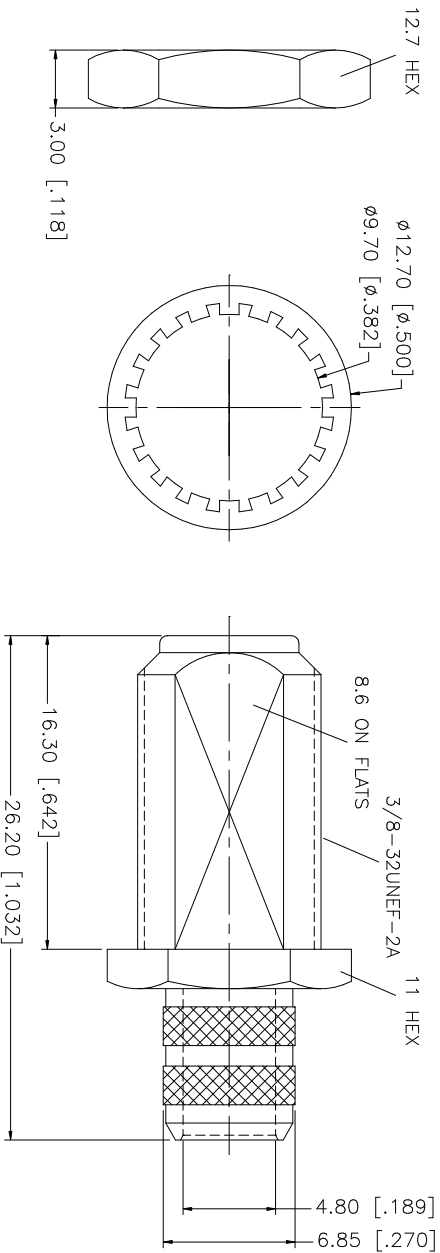
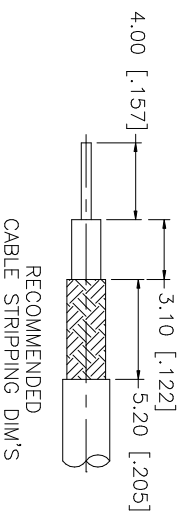
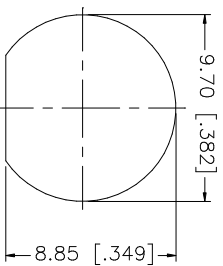


REV.	DATE	DESCRIPTION
NC	11/21/99	INITIAL RELEASE
A	08/17/06	UPDATE DRAWING FORMAT



RECOMMENDED MOUNTING HOLE



- NOTES:
1. CRIMPED FERRULE HEX CRIMP SIZE .320".
 2. CRIMPED CONTACT PIN HEX CRIMP SIZE .052"

QTY	DESCRIPTION	MATERIAL	FINISH	FINISH	QTY	DO NOT SCALE DRAWING	APPROVALS	DATE	PART DESCRIPTION
1	1.2.7 HEX	BRASS	NICKEL	NICKEL	1	UNLESS OTHERWISE SPECIFIED DIMENSIONS ARE IN INCHES AND FOR CUSTOMER REFERENCE ONLY.	DRAWN	08/17/06	F BULKHEAD CRIMP JACK (FOR RG-6/U CABLE - 75ohm)
1	4.00 [0.157]	BRASS	NICKEL	NICKEL	1	UNLESS OTHERWISE SPECIFIED DIMENSIONS ARE IN INCHES AND FOR CUSTOMER REFERENCE ONLY.	CHECKED		
1	3.10 [0.122]	BRASS	NICKEL	NICKEL	1	UNLESS OTHERWISE SPECIFIED DIMENSIONS ARE IN INCHES AND FOR CUSTOMER REFERENCE ONLY.	ISSUED		
1	5.20 [0.205]	BRASS	NICKEL	NICKEL	1	UNLESS OTHERWISE SPECIFIED DIMENSIONS ARE IN INCHES AND FOR CUSTOMER REFERENCE ONLY.	SHEET	1 OF 1	
1	9.70 [0.382]	PHOS. BRONZE	GOLD	GOLD	1	UNLESS OTHERWISE SPECIFIED DIMENSIONS ARE IN INCHES AND FOR CUSTOMER REFERENCE ONLY.	CAD FILE		
1	8.85 [0.349]	TEFLON	NATURAL	NATURAL	1	UNLESS OTHERWISE SPECIFIED DIMENSIONS ARE IN INCHES AND FOR CUSTOMER REFERENCE ONLY.	C:/222/222161.DWG		
1	16.30 [0.642]	BRASS	NICKEL	NICKEL	1	UNLESS OTHERWISE SPECIFIED DIMENSIONS ARE IN INCHES AND FOR CUSTOMER REFERENCE ONLY.	DWG. NO.		
1	26.20 [1.032]	BRASS	NICKEL	NICKEL	1	UNLESS OTHERWISE SPECIFIED DIMENSIONS ARE IN INCHES AND FOR CUSTOMER REFERENCE ONLY.	222161.DWG		
1	4.80 [0.189]	BRASS	NICKEL	NICKEL	1	UNLESS OTHERWISE SPECIFIED DIMENSIONS ARE IN INCHES AND FOR CUSTOMER REFERENCE ONLY.	REV. A		
1	6.85 [0.270]	BRASS	NICKEL	NICKEL	1	UNLESS OTHERWISE SPECIFIED DIMENSIONS ARE IN INCHES AND FOR CUSTOMER REFERENCE ONLY.	SIZE A		
1	11 HEX	BRASS	NICKEL	NICKEL	1	UNLESS OTHERWISE SPECIFIED DIMENSIONS ARE IN INCHES AND FOR CUSTOMER REFERENCE ONLY.	SCALE NA		
1	1.00 [0.039]	BRASS	NICKEL	NICKEL	1	UNLESS OTHERWISE SPECIFIED DIMENSIONS ARE IN INCHES AND FOR CUSTOMER REFERENCE ONLY.			
1	1.60 [0.063]	BRASS	NICKEL	NICKEL	1	UNLESS OTHERWISE SPECIFIED DIMENSIONS ARE IN INCHES AND FOR CUSTOMER REFERENCE ONLY.			
1	14.80 [0.583]	BRASS	NICKEL	NICKEL	1	UNLESS OTHERWISE SPECIFIED DIMENSIONS ARE IN INCHES AND FOR CUSTOMER REFERENCE ONLY.			
1	8.00 [0.315]	BRASS	NICKEL	NICKEL	1	UNLESS OTHERWISE SPECIFIED DIMENSIONS ARE IN INCHES AND FOR CUSTOMER REFERENCE ONLY.			
1	9.00 [0.355]	BRASS	NICKEL	NICKEL	1	UNLESS OTHERWISE SPECIFIED DIMENSIONS ARE IN INCHES AND FOR CUSTOMER REFERENCE ONLY.			
1	12.70 [0.500]	BRASS	NICKEL	NICKEL	1	UNLESS OTHERWISE SPECIFIED DIMENSIONS ARE IN INCHES AND FOR CUSTOMER REFERENCE ONLY.			

Amphenol Connex

F BULKHEAD CRIMP JACK (FOR RG-6/U CABLE - 75ohm)

222161

Mouser Electronics

Authorized Distributor

Click to View Pricing, Inventory, Delivery & Lifecycle Information:

[Amphenol:](#)

[222161](#)