

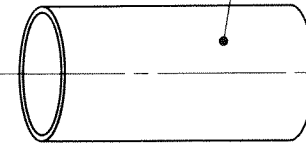
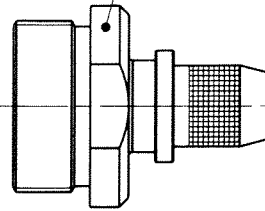
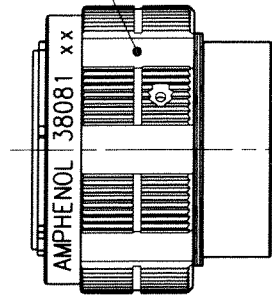
DANS LE BUT CONSTANT D'AMELIORER SES PRODUITS, Amphenol Socopex se reserve le droit d'en modifier toute cote ou caracteristique.
[IMP.007.B]

PLUG BODY

2 INSERTS

BACKSHELL BODY

HEAT-SHRINK SLEEVE



BAND

SPRING FINGERS

$\phi 28$
[1,102]

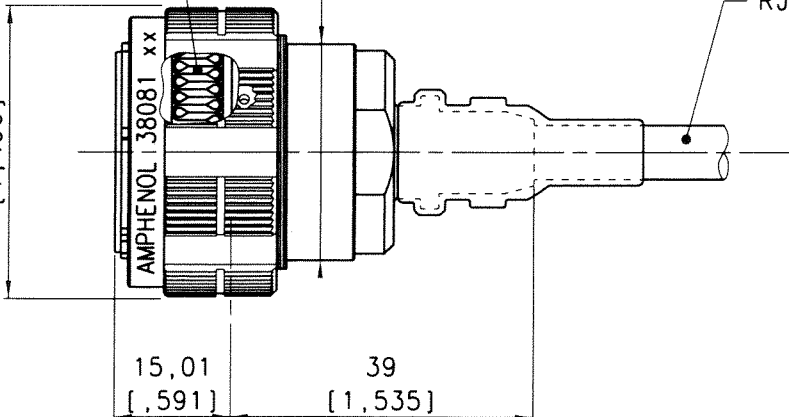
RJF SFTP $\phi 7$ CABLE

$\phi 38$
[1,496]

15,01
[.591]

39
[1,535]

RECEPTACLE STOP



kit 38081 (RJF TV 6 35 G type)

APPROBATION CLIENT
CUSTOMER APPROVAL

MODIFICATIONS	A	Plan original	ECHELLE
			/

Amphenol Socopex

BP 29 - 74311 THYEZ CEDEX

DESSIN: TUPIN LE: 16/03/04

TECHNIQUE: Y. Guillet 03.16.04

A

190-PLC-054-00 1/1

Mouser Electronics

Authorized Distributor

Click to View Pricing, Inventory, Delivery & Lifecycle Information:

[Amphenol:](#)

[KIT38081](#)