



PART NAME

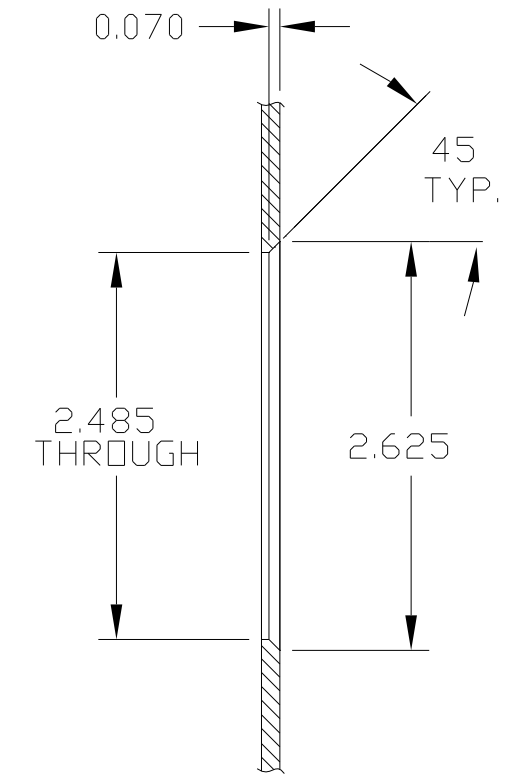
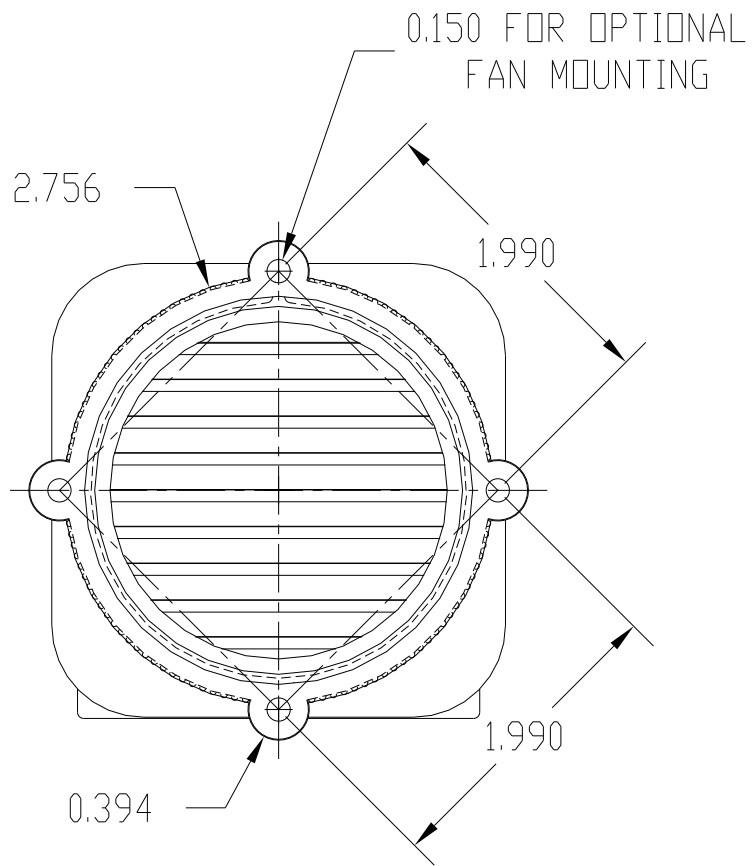
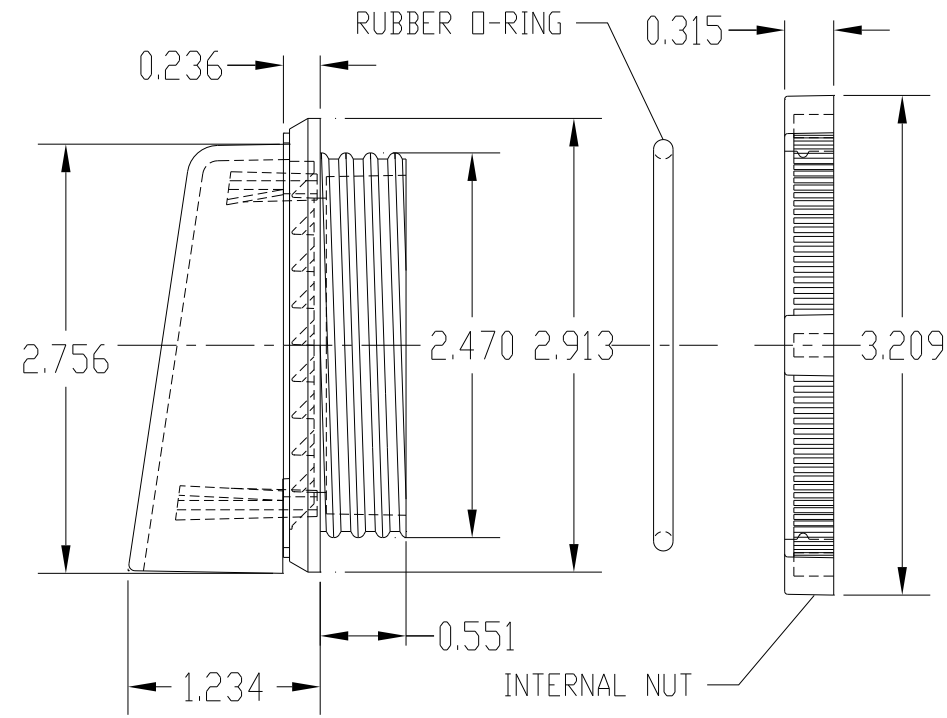
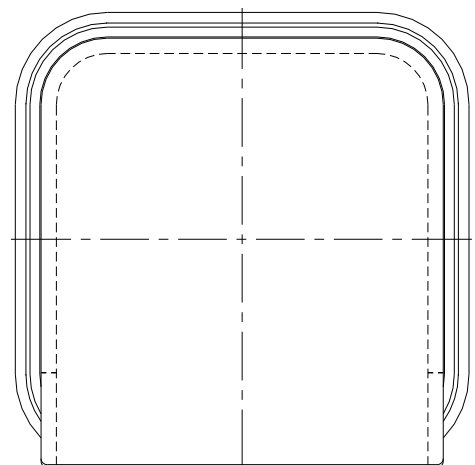
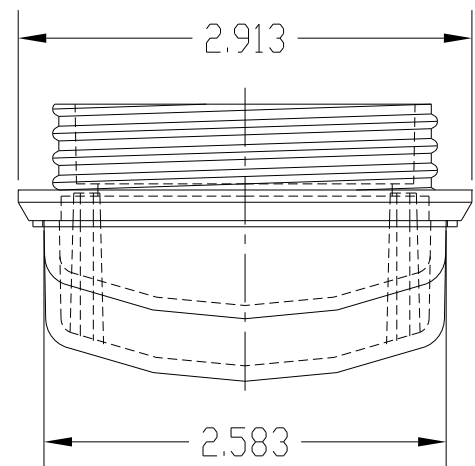
WIDE OPENING EXTERNAL VENT

PART No.

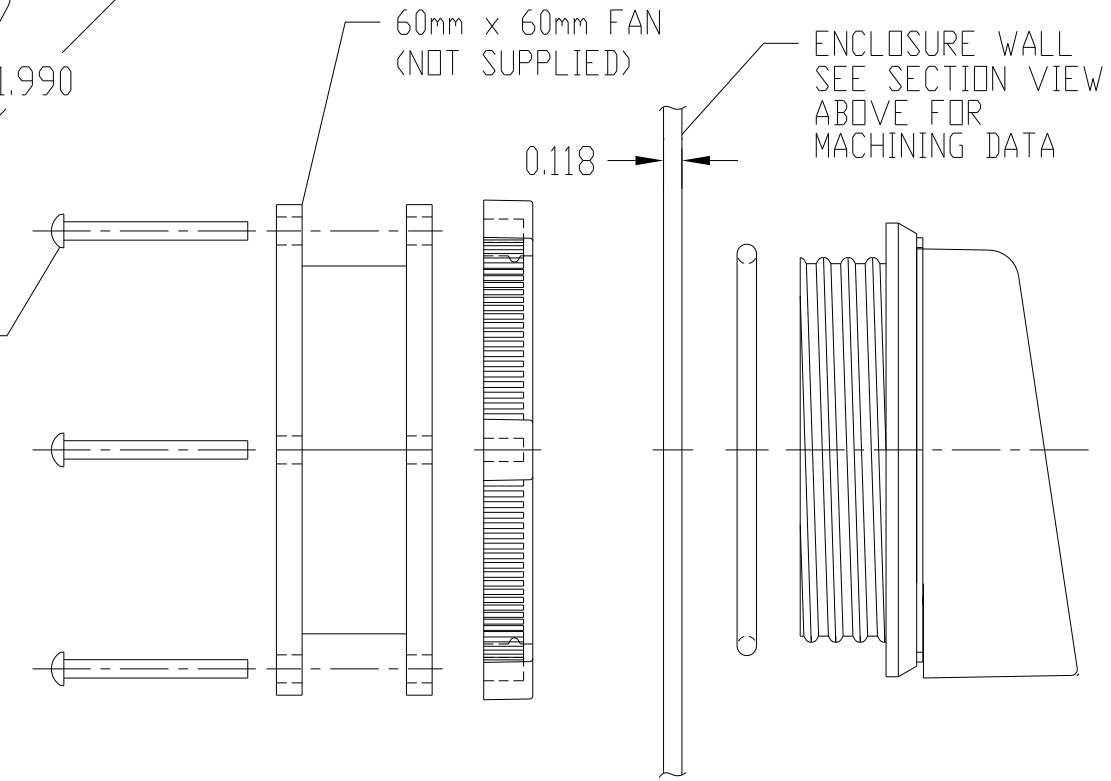
IPV-1115

REV. DATE

5-2-18



MACHINING DATA SECTION VIEW OF ENCLOSURE WALL



TYPICAL INSTALLATION

MATERIAL: POLYCARBONATE 10% FIBERGLASS REINFORCED
 COLOR: LIGHT GRAY

ALL DIMENSIONS HAVE $\pm 0.03[0.76]$ TOLERANCE UNLESS OTHERWISE SPECIFIED

DIMENSIONS ARE INCH

DRAWING FOR REFERENCE
 WE RESERVE THE RIGHT TO MAKE CHANGES TO OUR STANDARD PRODUCT. PLEASE CONSULT WITH BUD INDUSTRIES PRIOR TO USING THIS DRAWING FOR DESIGN PURPOSES.

Mouser Electronics

Authorized Distributor

Click to View Pricing, Inventory, Delivery & Lifecycle Information:

[Bud Industries:](#)

[IPV-1115](#)