

LOC A1	DIST —	REVISIONS				
	P	LTR	DESCRIPTION	DATE	DWN	APVD
ÄNDERUNGEN, DIE DEM TECHNISCHEN FORTSCHRITT DIENEN, BEHALTEN WIR UNS VOR		P	REVISED PER ECO-11-005301	02MAR11	RK	HMR

RELEASED FOR PUBLICATION

ALL RIGHTS RESERVED.


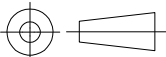
SIEHE ZEICHNUNG
826 629 BLATT 4

THIS DRAWING IS UNPUBLISHED.

By —
COPYRIGHT —

VON DIESER ZEICHNUNG GIBT ES KEIN ORIGINAL

—	—	—
BESTELL-NR.	WERKSTOFF	OBERFLÄCHE FARBE

DIMENSIONS: mm	DWN —	MATERIAL —	FINISH —
TOLERANCES UNLESS OTHERWISE SPECIFIED:	CHK —	 TE Connectivity	
0 PLC ± — 1 PLC ± — 2 PLC ± — 3 PLC ± — 4 PLC ± — ANGLES ± —	APVD —		
	PRODUCT SPEC —	NAME AMPMODU II STIFTLAISTE 90DEG ZWEIREIHIG	
	APPLICATION SPEC —	SIZE A4	CAGE CODE 00779
	WEIGHT —	DRAWING NO C-826953	RESTRICTED TO —
		CUSTOMER DRAWING	SCALE — SHEET 1 OF 1 REV P

Mouser Electronics

Authorized Distributor

Click to View Pricing, Inventory, Delivery & Lifecycle Information:

[TE Connectivity:](#)

[826953-3](#)