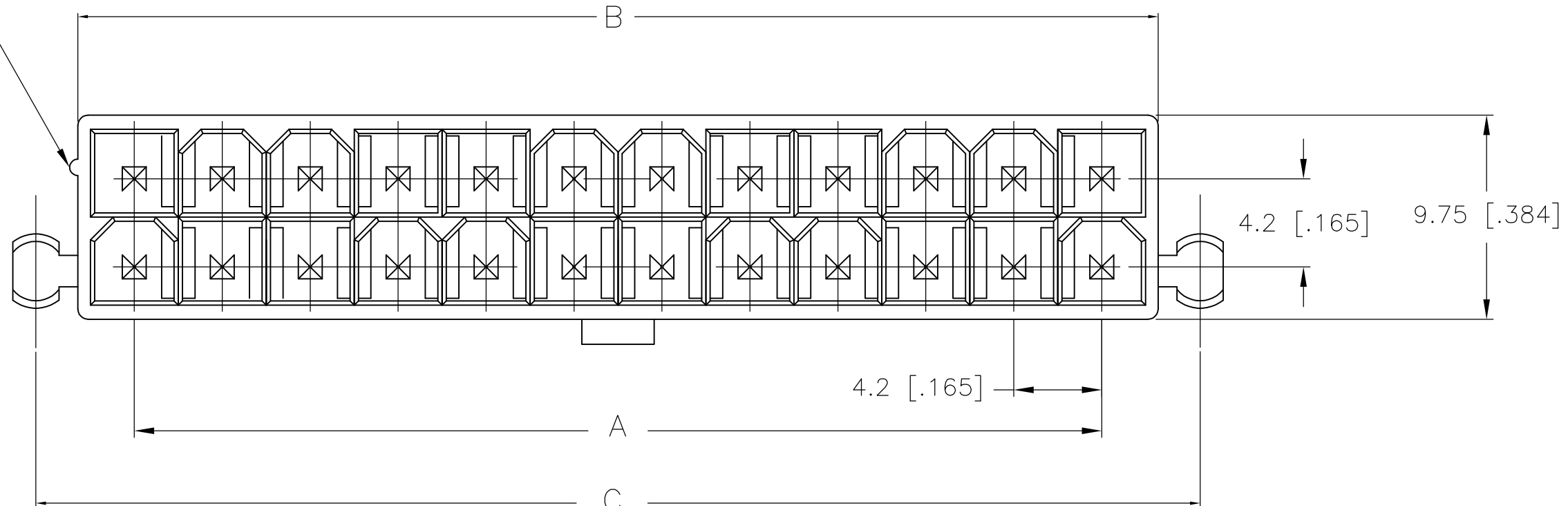


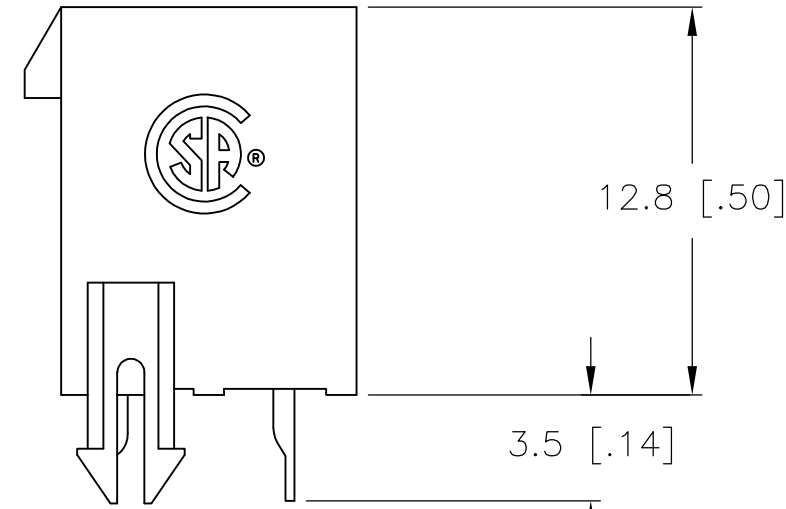
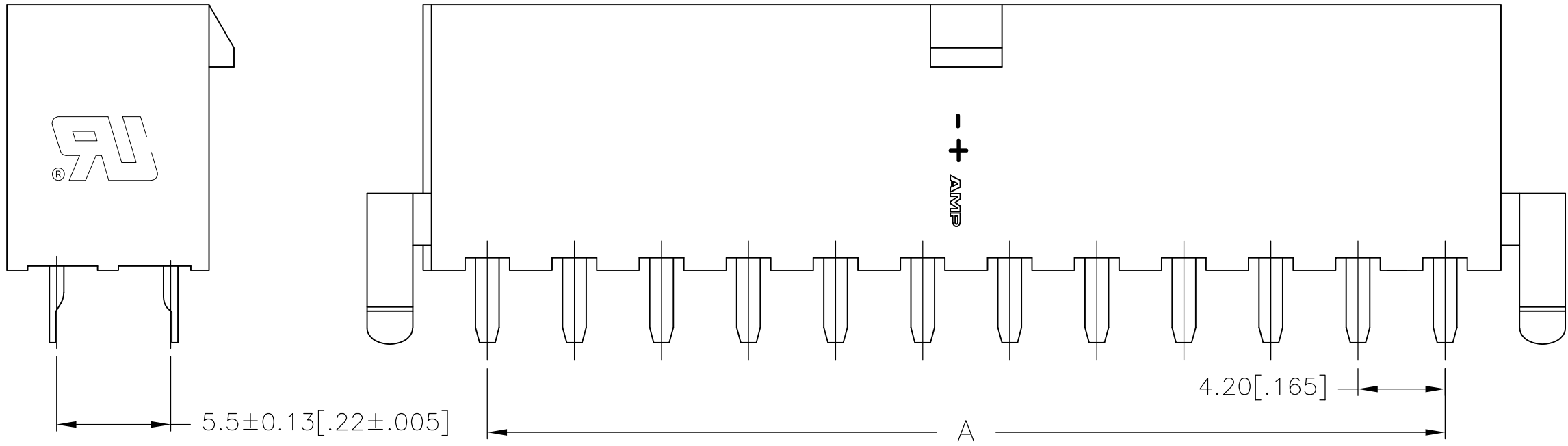
THIS DRAWING IS UNPUBLISHED. RELEASED FOR PUBLICATION  
 © COPYRIGHT - By - ALL RIGHTS RESERVED.

LOC		DIST		REVISIONS				
P	LTR	DESCRIPTION			DATE	DWN	APVD	
	B4	REVISED PER ECR-12-020549			30NOV2012	KH	TM	
	B5	REVISED PER ECR-14-012040			11AUG2014	AZ	DZ	
	B6	REVISED PER ECR-14-019217			29DEC2014	AV	DZ	

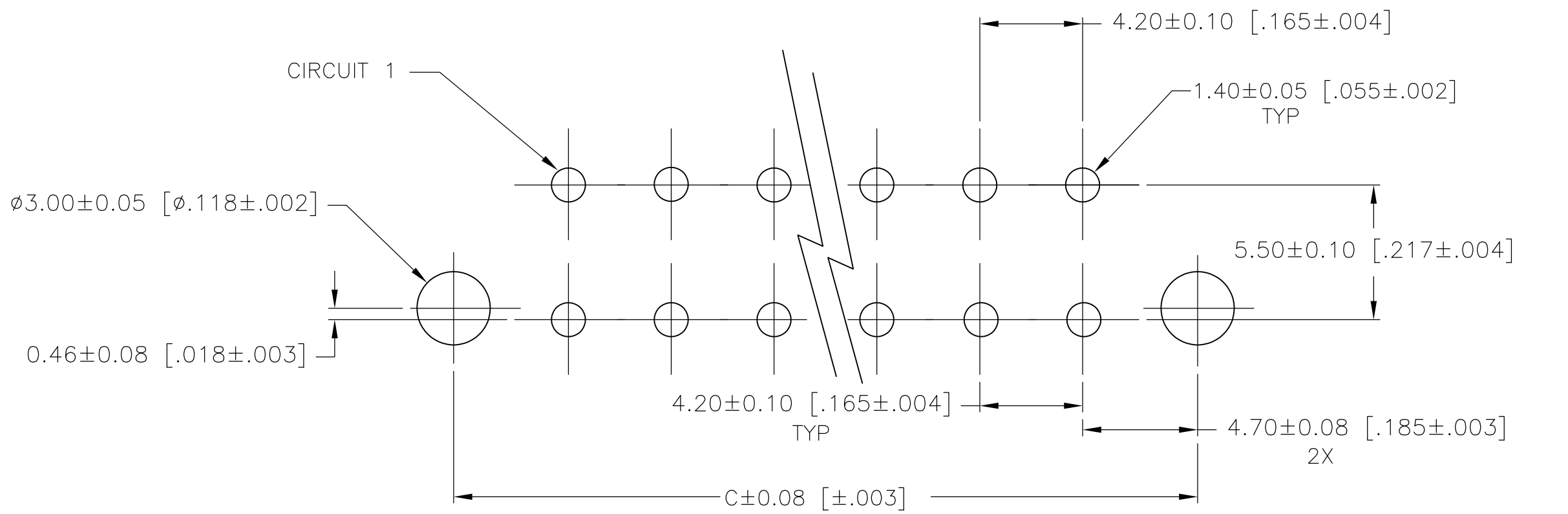
POSITION 1 IDENTIFICATION FEATURE



- 1 MATERIAL: HOUSING-NYLON, UL94V-0 (COLOR-NATURAL, COLOR OF PARTS MAY VARY) CONTACTS-0.25 [.010] THICK BRASS ALLOY.
- 2 CONTACT FINISH: 0.002032 [.000080] MIN MATTE TIN OVER 0.000381 [.000015] MIN NICKEL OVER ENTIRE CONTACT.
- 3 MATES WITH VAL-U-LOK(TM) RECEPTACLE HOUSINGS.
- 4 CONTACT FINISH: 0.00076 [.000030] MIN GOLD PLATE ON PIN MATING SURFACE, 0.003 [.00012] MIN TIN PLATE ON OTHER SURFACE, ALL OVER 0.00127 [.00005] MIN NICKEL BASE PLATE.
- 5 PRELIMINARY-NOT FOR PRODUCTION.



FINISH	POS	A	B±0.25[.01]	C±0.38[.015]	PART NUMBER
4	2	5.4 [.21]	9.4 [.37]	3-1586040-2	
4	4	4.2±0.13 [.17±.005]	9.6 [.38]	13.6 [.54]	3-1586040-4
2	24	46.2±0.25 [1.82±.01]	51.6 [2.03]	55.6 [2.19]	2-1586040-4
2	22	42.0±0.25 [1.65±.01]	47.4 [1.87]	51.4 [2.02]	2-1586040-2
2	20	37.8±0.25 [1.49±.01]	43.2 [1.70]	47.2 [1.86]	2-1586040-0
2	18	33.6±0.25 [1.32±.01]	39.0 [1.54]	43.0 [1.69]	1-1586040-8
2	16	29.4±0.25 [1.16±.01]	34.8 [1.37]	38.8 [1.53]	1-1586040-6
2	14	25.2±0.25 [.99±.01]	30.6 [1.21]	34.6 [1.36]	1-1586040-4
2	12	21.0±0.25 [.83±.01]	26.4 [1.04]	30.4 [1.20]	1-1586040-2
2	10	16.8±0.13 [.66±.005]	22.2 [.87]	26.2 [1.03]	1-1586040-0
2	8	12.6±0.13 [.50±.005]	18.0 [.71]	22.0 [.87]	1586040-8
2	6	8.4±0.13 [.33±.005]	13.8 [.54]	17.8 [.70]	1586040-6
2	4	4.2±0.13 [.17±.005]	9.6 [.38]	13.6 [.54]	1586040-4
2	2		5.4 [.21]	9.4 [.37]	1586040-2



PCB LAYOUT: COMPONENT SIDE  
 RECOMMENDED BOARD THICKNESS 1.78 [.070]  
 2-1586040-4 SHOWN

THIS DRAWING IS A CONTROLLED DOCUMENT. DWN S. HOOVER 25-SEP-2002  
 CHK D. COLEY 25-SEP-2002  
 APVD D. COLEY 25-SEP-2002

**STE** TE Connectivity

NAME: VERTICAL HEADER WITH PEGS, WITH DRAIN HOLES, VAL-U-LOK(TM)

SIZE: A2 CAGE CODE: 00779 DRAWING NO: C=1586040 RESTRICTED TO: -

MATERIAL: 1 SEE TABLE FINISH: WEIGHT: CUSTOMER DRAWING SCALE: N/A SHEET: 1 OF 1 REV: B6

# Mouser Electronics

Authorized Distributor

Click to View Pricing, Inventory, Delivery & Lifecycle Information:

[TE Connectivity:](#)

[1-1586040-2](#)