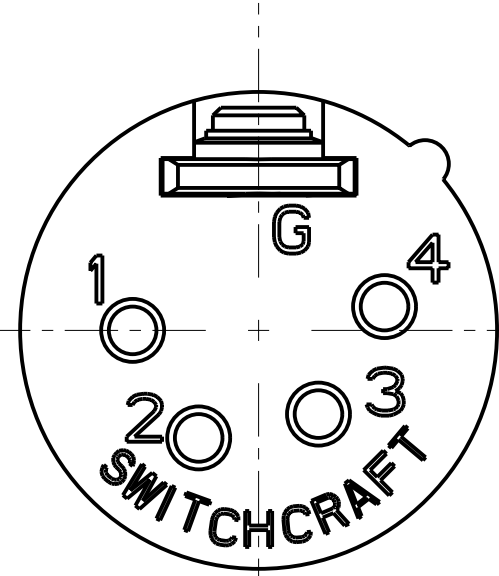
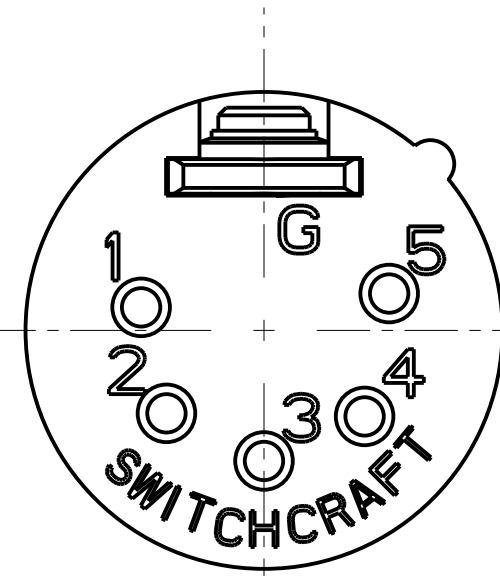


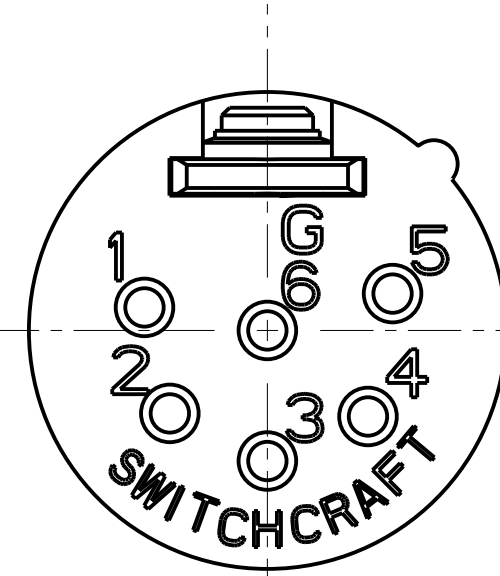
3 PIN



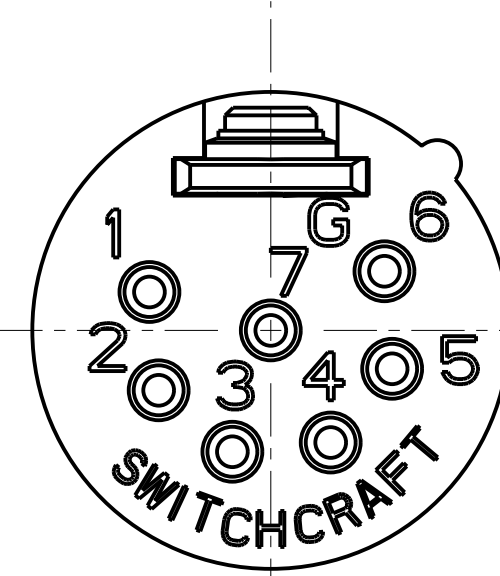
4 PIN



5 PIN



6 PIN

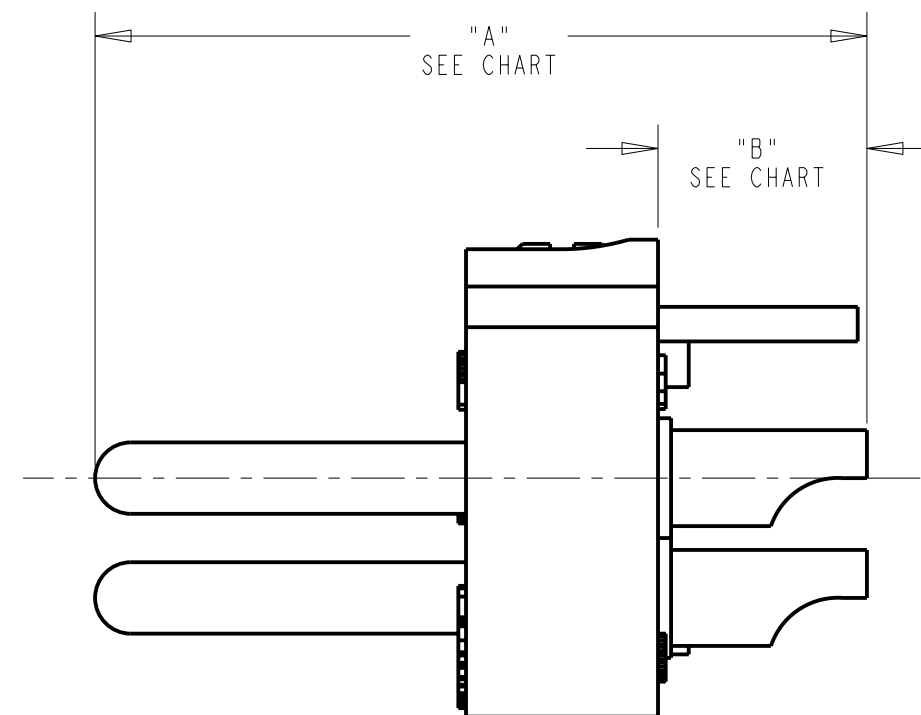
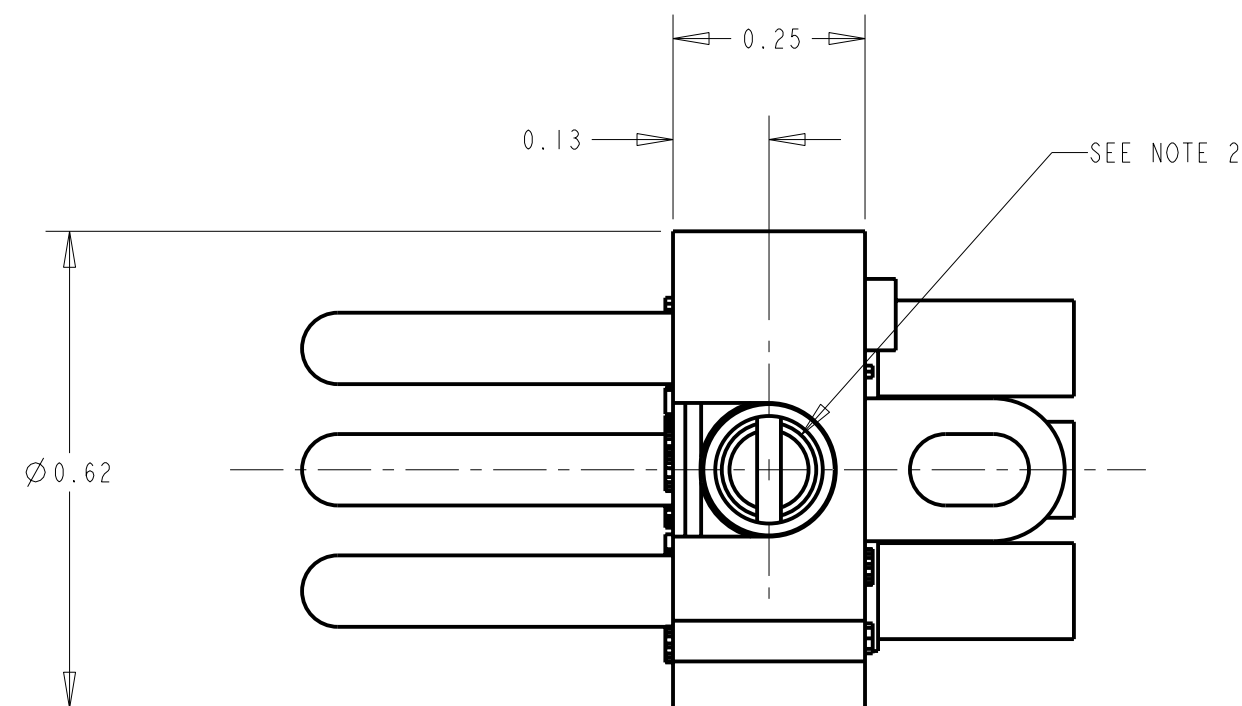


7 PIN

NOTES:

1. ALL DIMENSIONS REF. UNLESS OTHERWISE SPECIFIED.
2. INSERT LOCKING HOLE MUST ACCEPT $\varnothing 0.123$ POST.
3. KEYWAY ON 4, 5, 6, AND 7 PIN VERSIONS ONLY EXTENDS UP TO 0.125 FROM REAR SURFACE.

PRODUCT NO.	DIM "A"	DIM "B"
QG3M	1.01	0.27
QG4M	0.91	0.24
QG5M	0.92	0.24
QG6M	0.92	0.24
QG7M	0.82	0.24



STANDARD SERIES

SCREW - STAINLESS STEEL
 SOLDER TERMINAL - BRASS, ELECTRO TIN PLATED
 INSULATOR - POLYESTER, GREEN (UL94V-0)
 CONTACT PIN - BRASS, SILVER PLATED

QG M

CONTACT PLATING
 BLANK = SILVER (STANDARD)
 AU = GOLD OVER NICKEL

HOUSING FINISH
 BLANK = NICKEL PLATE (STANDARD)
 B = BLACK

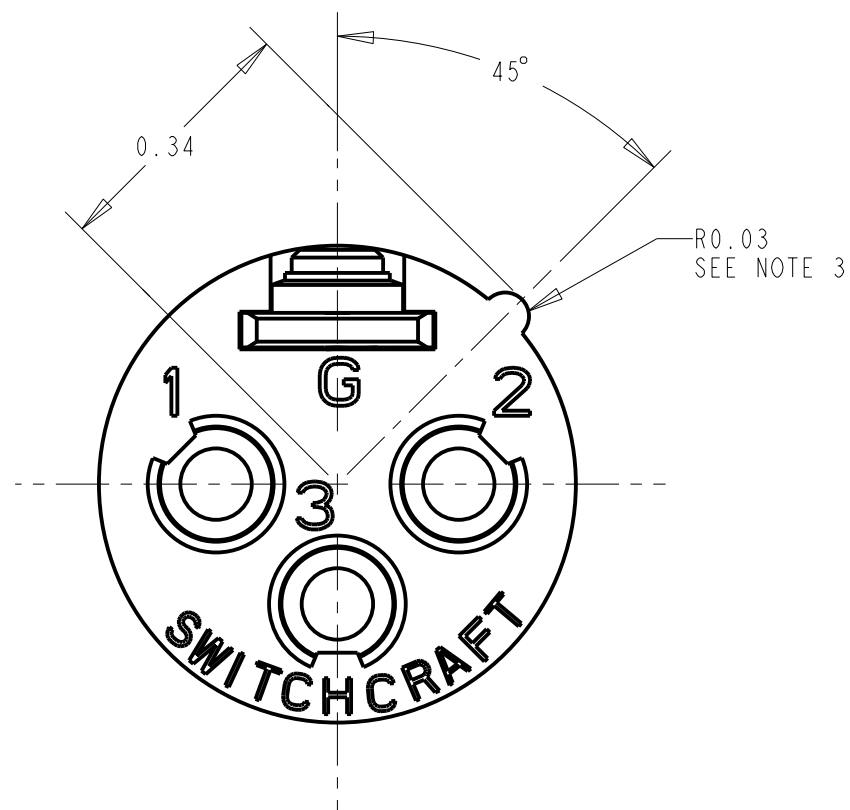
NO. OF CONTACTS:
 3 = 3 CONTACTS
 4 = 4 CONTACTS
 5 = 5 CONTACTS
 6 = 6 CONTACTS
 7 = 7 CONTACTS

PROFESSIONAL SERIES

SAME AS ABOVE EXCEPT
 CONTACT PIN - PHOSPHOR BRONZE, GOLD OVER NICKEL

QGP M

NO. OF CONTACTS:
 3 = 3 CONTACTS
 4 = 4 CONTACTS
 5 = 5 CONTACTS
 6 = 6 CONTACTS
 7 = 7 CONTACTS



CUSTOMER DRAWING

				★ STAR SYMBOL DENOTES CRITICAL DIMENSION		THIS DRAWING DESCRIBES A DESIGN CONSIDERED PROPRIETARY IN NATURE, DEVELOPED AND MANUFACTURED BY SWITCHCRAFT INC. AND IS RELEASED ON A CONFIDENTIAL BASIS FOR IDENTIFICATION PURPOSES ONLY.				
				UNLESS OTHERWISE SPECIFIED		SIZE	WIDTH	MULT	LBS/M	TEMPER
				1. ALL DIMENSIONS IN INCHES - TWO PLACE DECIMALS ± 0.01 - THREE PLACE DECIMALS ± 0.005 - ANGLES $\pm 1^\circ$ - ALL DIA. CONCENTRIC WITHIN 0.005 T.I.R.		FINISH		MATERIAL		
M	23067	1-5-00	JL	DG	FIRST USED ON		SCALE		4:1	
L	22838	10-1-99	JL	DG	DATE DRAWN		BY	CHKD	APVD	
K	22563	12-10-98	JL	EB	8-22-94	SG	SG	8-29-94	GHJ	
J	22610	11-23-98	DA	EB	NAME		PART No.		REV	
REV				ECO NUMBER	DATE	BY	APVD	MALE QG INSERT SERIES		QG_M SERIES
				REVISIONS		DO NOT SCALE DRAWING				M

Mouser Electronics

Authorized Distributor

Click to View Pricing, Inventory, Delivery & Lifecycle Information:

Switchcraft:

[QG5M](#) [QG4M](#) [QG5F](#) [QG7M](#) [QG3F](#) [QG3FD](#) [QG4F](#) [QG6F](#) [QG6M](#) [QG7F](#) [QGP322](#) [QGP323](#) [QGP362](#) [QGP363](#)
[QGP326](#) [QGP3M](#) [QGP3F](#) [QG3MAU](#)