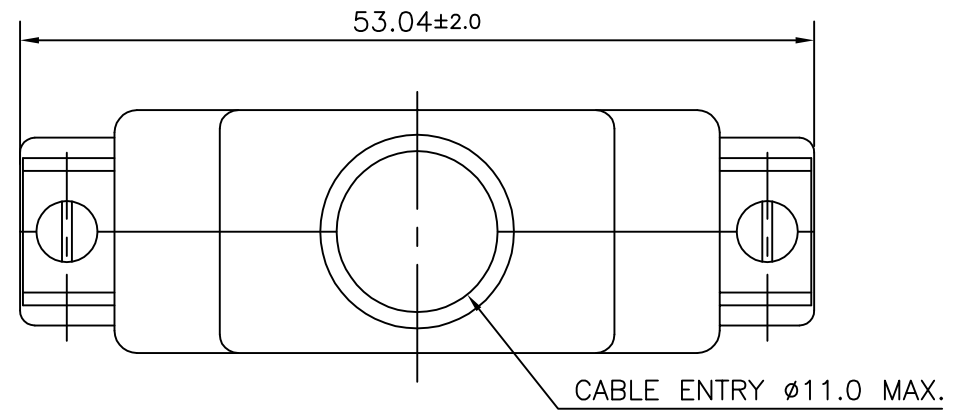
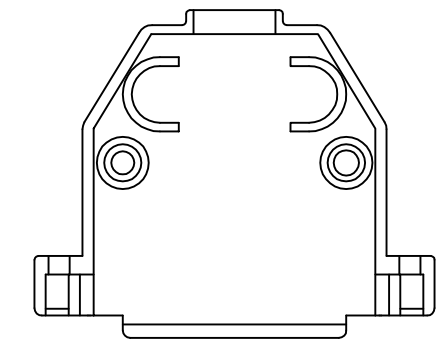


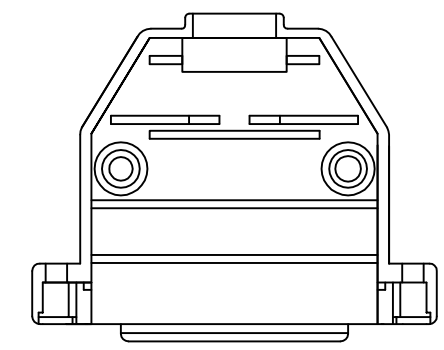
2	8630-CH25UNCLF	UNC 440
1	8630-CH25M3LF	M3
SL.NO.	PART NO:	THREAD



HOOD INTERNAL VIEW

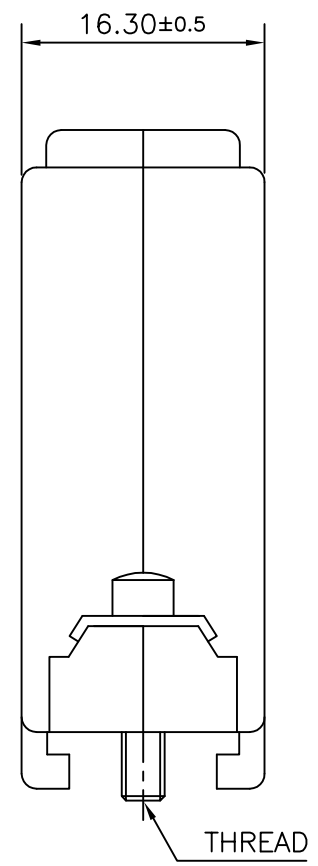
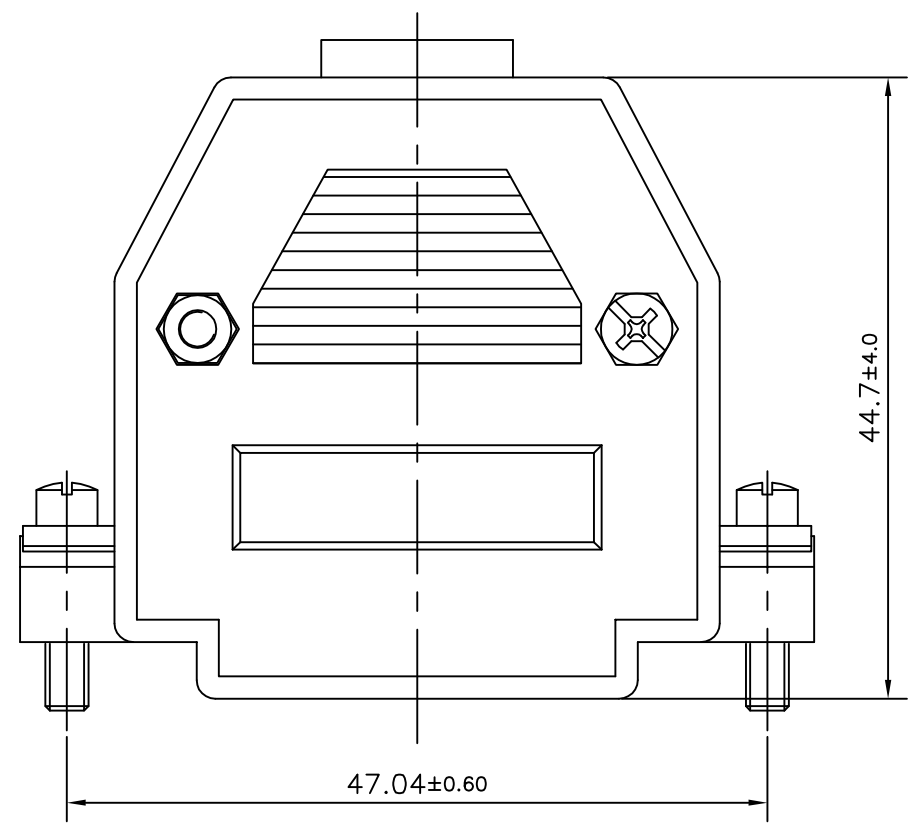


OPTION 1*



OPTION 2*

* Hood can be of either Option 1 or Option 2



Amphenol FCI

© 2016 AFCl

"This LF product meets European Union Directives and other country regulations as described in GS-47-0004"

Packaging as per GS-14-920

MATERIALS:
 1.ABS UNFILLED UL 94 HB (STANDARD)
 2.TEMP RANGE -55°C TO +85°C

mat'l. code				surface ISO 1302 ✓		tolerance ISO 406 ISO 1101		projection MM		product family D-SUB	
ltr				ecn no		dr		date		title	
E				I06-0074		MINI		2006/06/08		CONNECTOR HOOD	
F				I10-0122		AMR		2010/05/29		25 POSITION	
G				I10-0231		AMR		2010/11/27		scale NTS	
H				ELX-I-15622		MP		2013/08/24		dwg no	
J				ELX-I-21747		MP		2015/08/22		sheet 1 of 1	
K				ELX-I-25452		GREGAR		2016-11-25		size	
L				ELX-I-27699		GREGAR		2017-08-12		A3	
sheet				revision		L				type	
index				sheet		1				Product Customer Drawing	

Mouser Electronics

Authorized Distributor

Click to View Pricing, Inventory, Delivery & Lifecycle Information:

[FCI / Amphenol:](#)

[8630CH25UNCLF](#) [8630CH25M3LF](#)