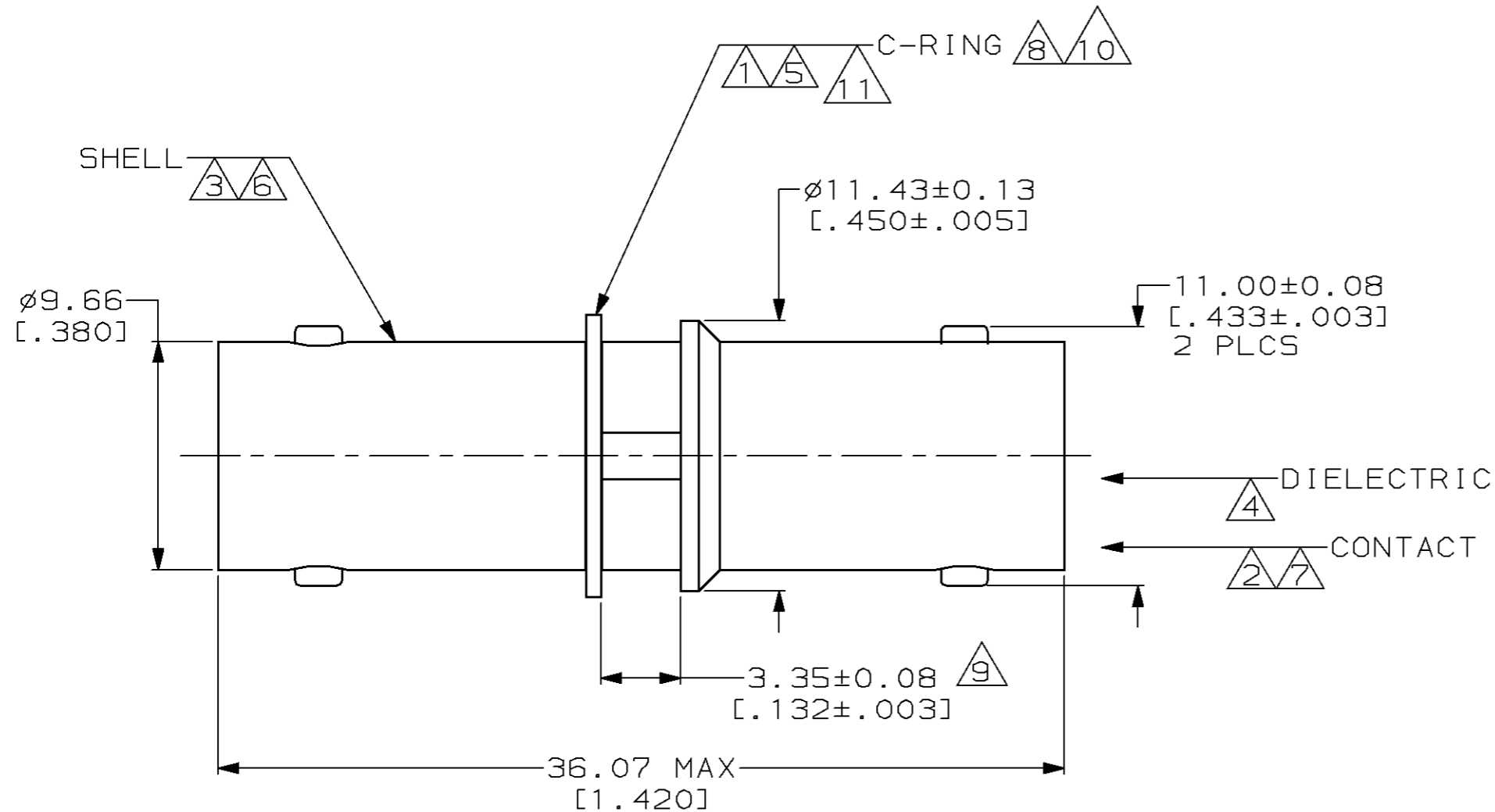


THIS DRAWING IS UNPUBLISHED. RELEASED FOR PUBLICATION, 19 .
 © COPYRIGHT 19 BY AMP INCORPORATED. ALL INTERNATIONAL RIGHTS RESERVED.

LOC	DIST	P	F	REVISIONS				
				ZONE	LTR	DESCRIPTION	DATE	APPD
AJ	16				O	RELEASE -1 PER 93-3140-015-001	31MAR94	MEC
					A	REVISED PER EC 0220-0024-96	01FEB96	MEC
					B	REVISED PER 0503-0362-96	2-24-97	JG



- 1 BERYLLIUM COPPER PER ASTM-B-196
- 2 PHOSPHOR BRONZE PER QQ-B-750
- 3 ZINC PER ASTM-B-86
- 4 POLYMETHYLPENTENE: GENERAL PURPOSE
- 5 NICKEL PLATE PER QQ-N-290, 2.54µm [.000100] MIN THICKNESS
- 6 NICKEL PLATE PER QQ-N-290, 3.81µm [.000150] MIN THICKNESS
- 7 GOLD PLATE PER MIL-G-45204, 0.38µm [.000015] MIN THICKNESS
- 8 C-RING COMES UNASSEMBLED
- 9 MEASURED AT CONNECTOR BODY
- 10 C-RING ON STRIP 100 PER BULK PACKAGED 100 PER
- 11 ZINC CHROMATE (YELLOW)

10	414795-2
	414795-1
PART NUMBER	

THIS DRAWING IS A CONTROLLED DOCUMENT FOR AMP INCORPORATED. IT IS SUBJECT TO CHANGE AND THE CONTROLLING ENGINEERING ORGANIZATION SHOULD BE CONTACTED FOR THE LATEST REVISION.

DO NOT SCALE PRINT. UNLESS SPECIFIED DIMENSIONS IN mm [INCHES] TOLERANCES ON: 2 PLC DEC ± 0.05 [.002] 3 PLC DEC ± - ANGLES ± -		DR 31MAR94 M.E. COWHER	AMP AMP Incorporated Harrisburg, PA 17105-3608	
MATERIAL SEE NOTES		CHK 04APR94 M. PHILLIPS		
FINISH SEE NOTES		APPD 04APR94 M. PHILLIPS	NAME JACK ADAPTER ASSEMBLY, COML BNC	
		APPD 05APR94 M.E. COWHER	SIZE B	CAGE CODE 00779
		PRODUCT SPEC -	DRAWING NO C=414795	
		APPLICATION SPEC -	SCALE 4:1	SHEET 1 OF 1
		WEIGHT -		

Mouser Electronics

Authorized Distributor

Click to View Pricing, Inventory, Delivery & Lifecycle Information:

[TE Connectivity:](#)

[414795-1](#)