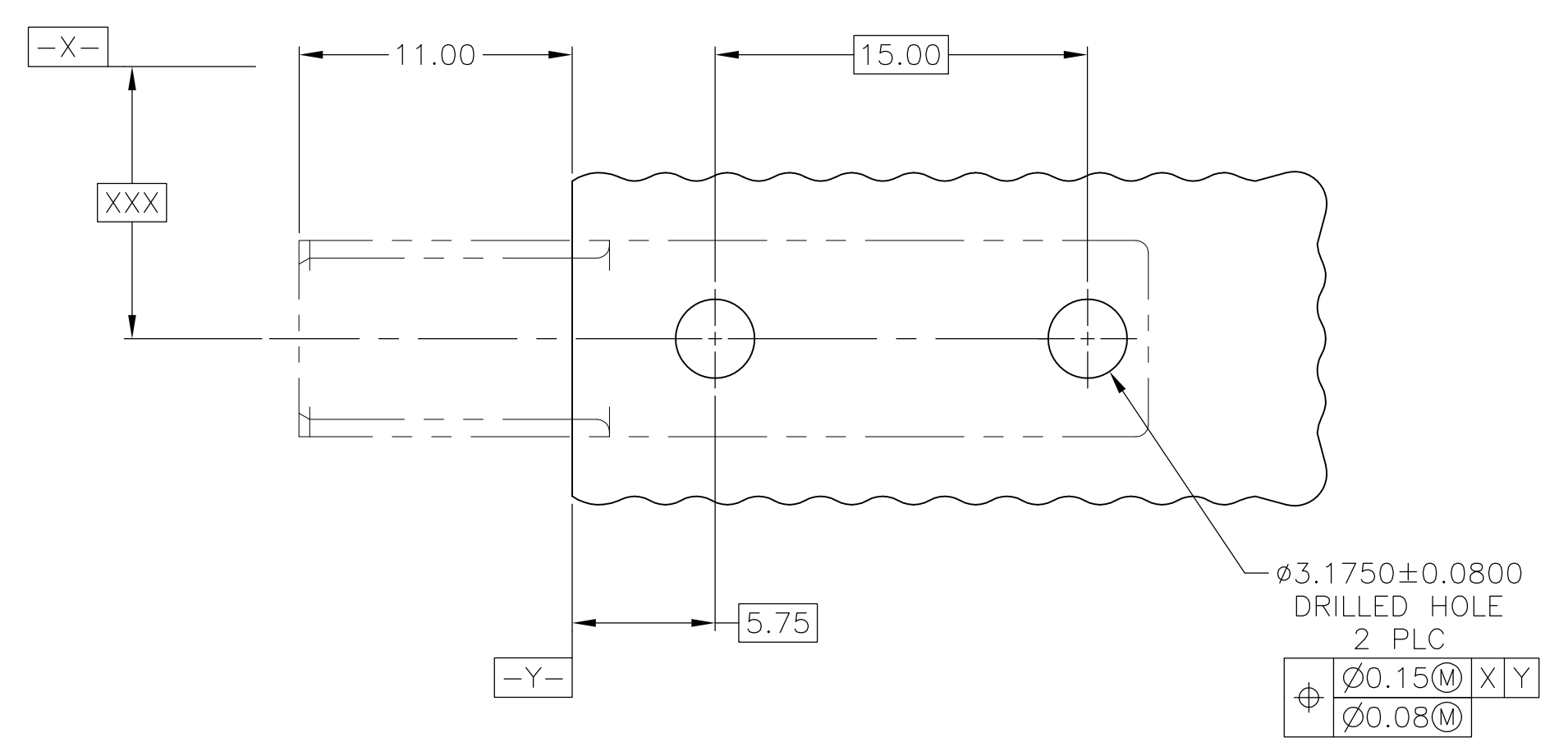
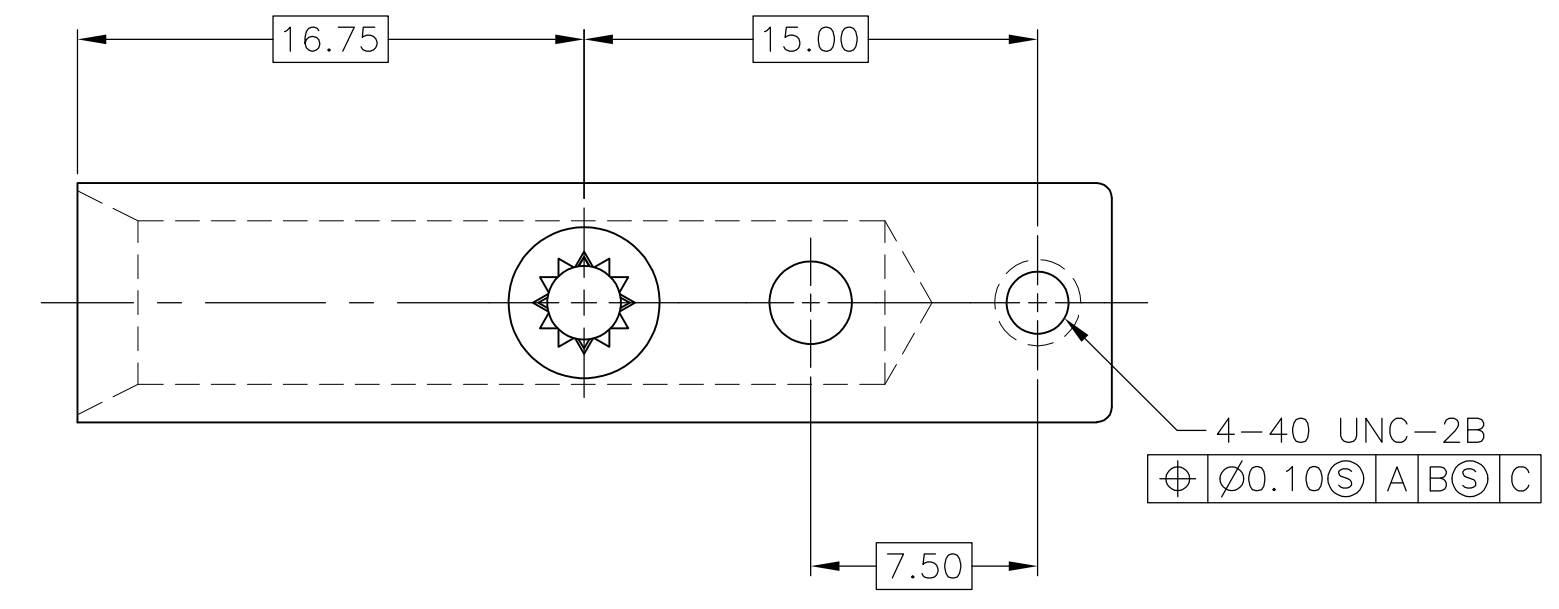
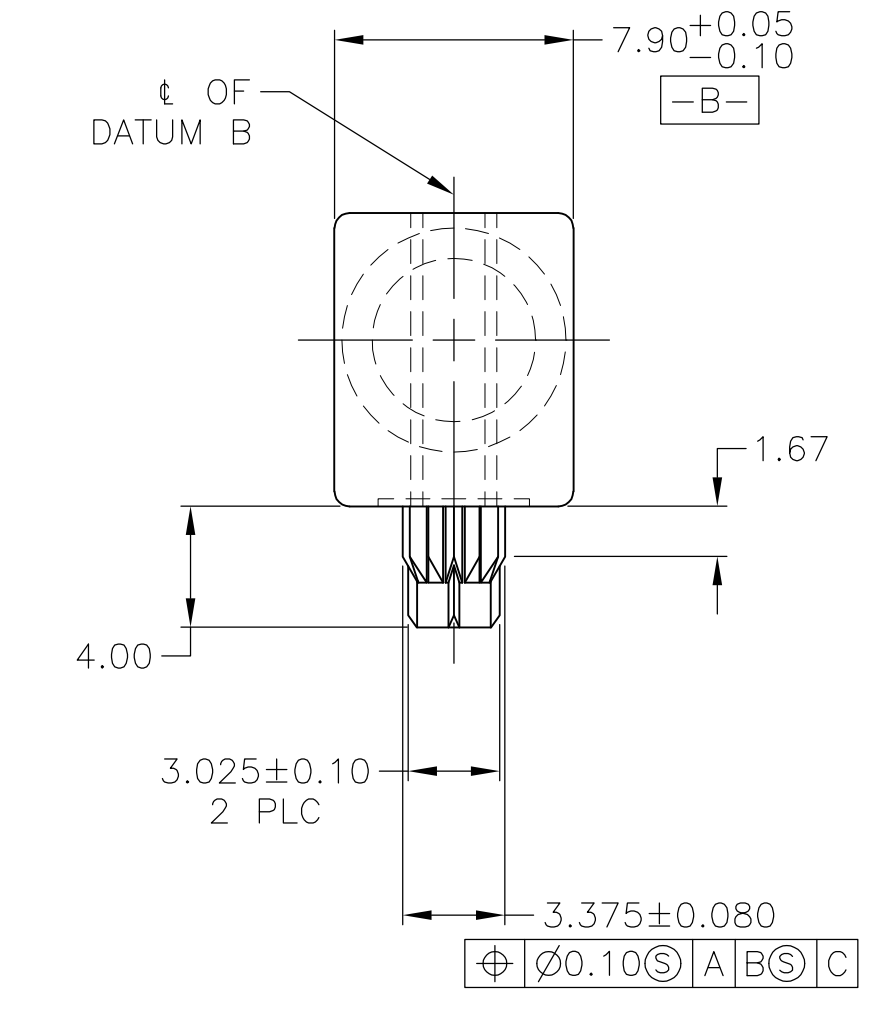
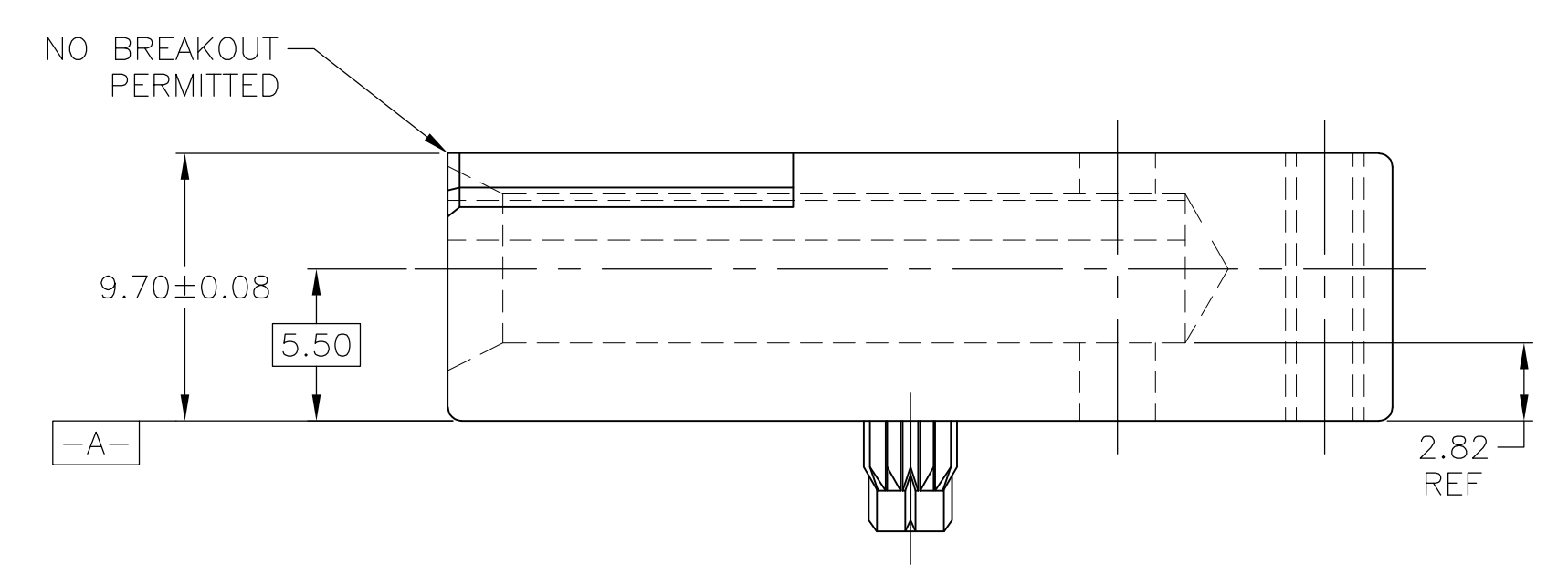
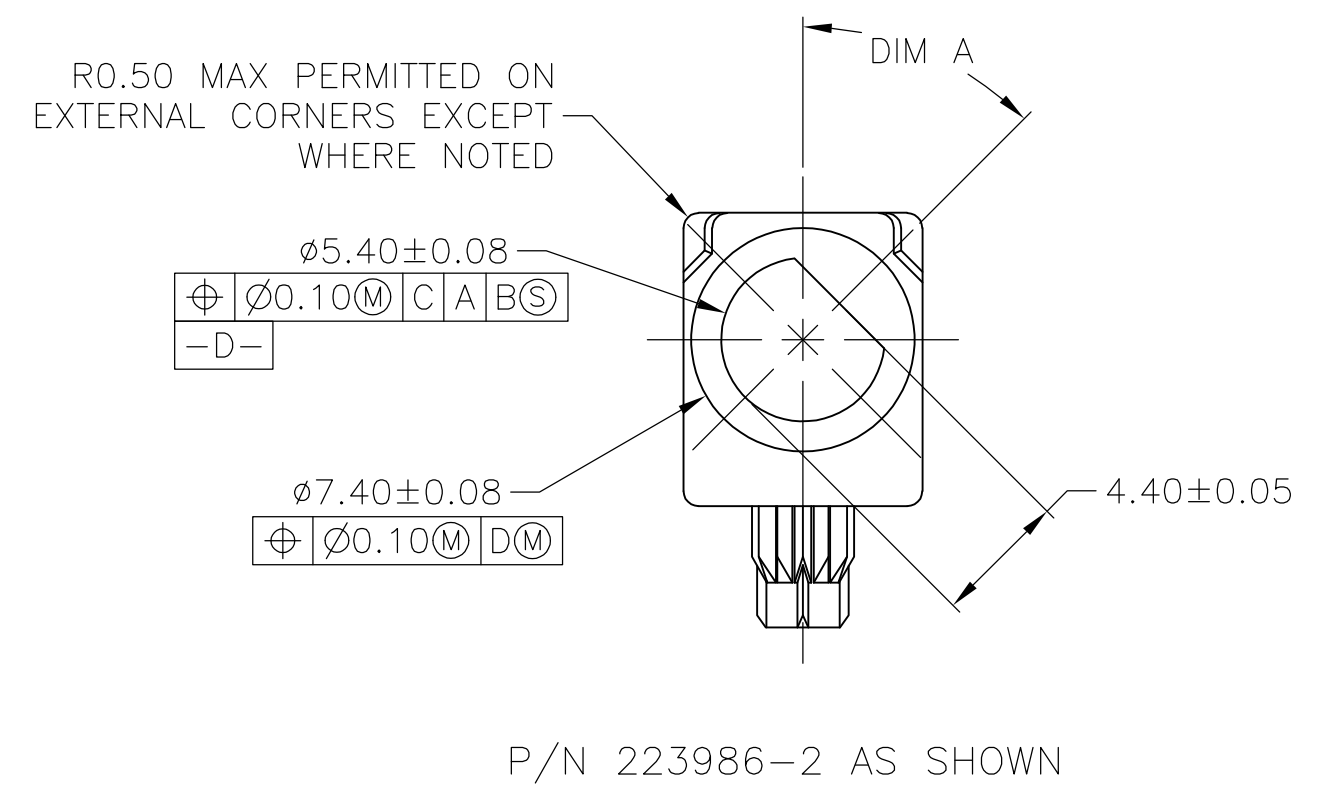


1 MATERIAL: ZINC ALLOY DIE CASTING.  
 2 SURFACE FINISH: CHROMATE CONVERSION COATING. (ROHS COMPATIBLE).



FOOT PRINT

KEYING POSN	DIM A	PART NUMBER
8	315"	5223986-8
7	270"	5223986-7
6	225"	5223986-6
5	180"	5223986-5
4	135"	5223986-4
3	90"	5223986-3
2	45"	5223986-2
1	0"	5223986-1

THIS DRAWING IS A CONTROLLED DOCUMENT.

DIMENSIONS: mm	TOLERANCES UNLESS OTHERWISE SPECIFIED:	DIN J. POLIGNONE	OSAPROS
0 PLC ± -	1 PLC ± -	R. PATTERSON	OSAPROS
2 PLC ± 0.13	3 PLC ± -	R. PATTERSON	OSAPROS
4 PLC ± -	ANGLES ± -	NAME	OSAPROS

STE TE Connectivity

MODULE, FEMALE, UNIVERSAL POWER MODULE

SIZE: A1 00779 C=5223986

WEIGHT: -

CUSTOMER DRAWING SCALE: 4:1 SHEET 1 OF 1 REV P

# Mouser Electronics

Authorized Distributor

Click to View Pricing, Inventory, Delivery & Lifecycle Information:

[TE Connectivity:](#)

[5223986-5](#)