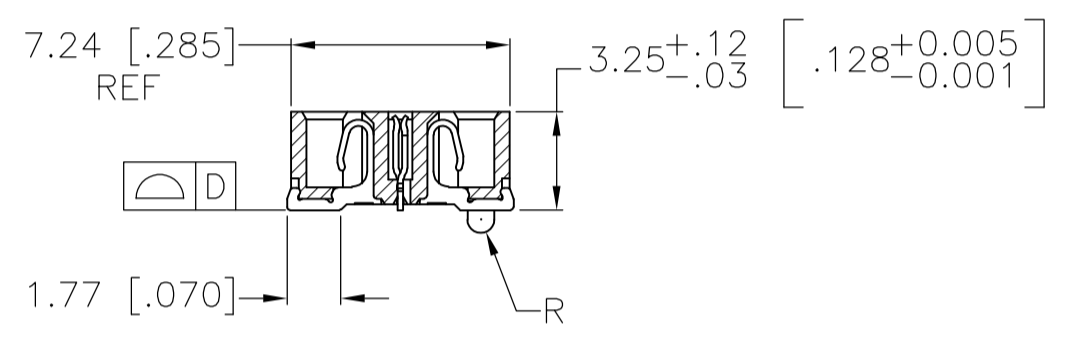
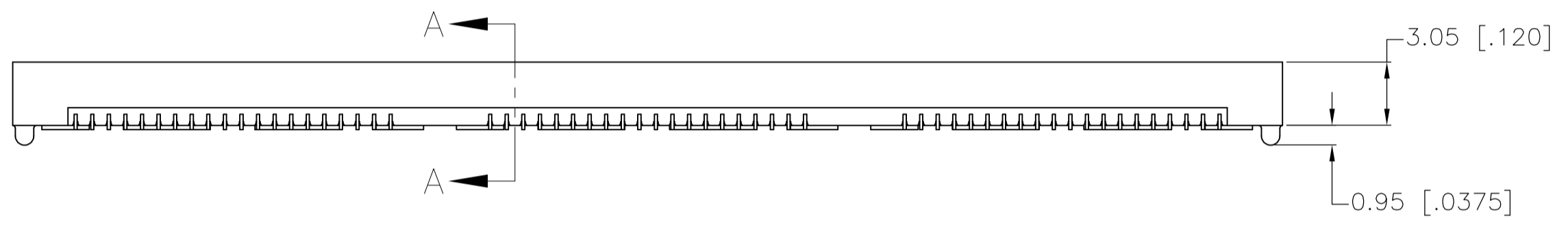
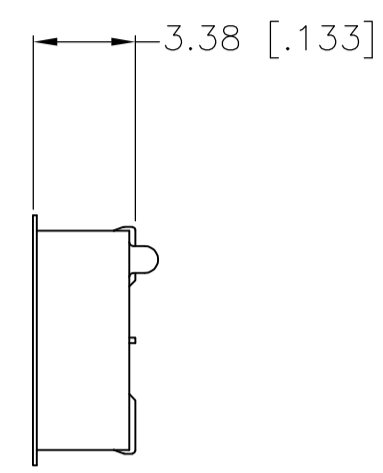
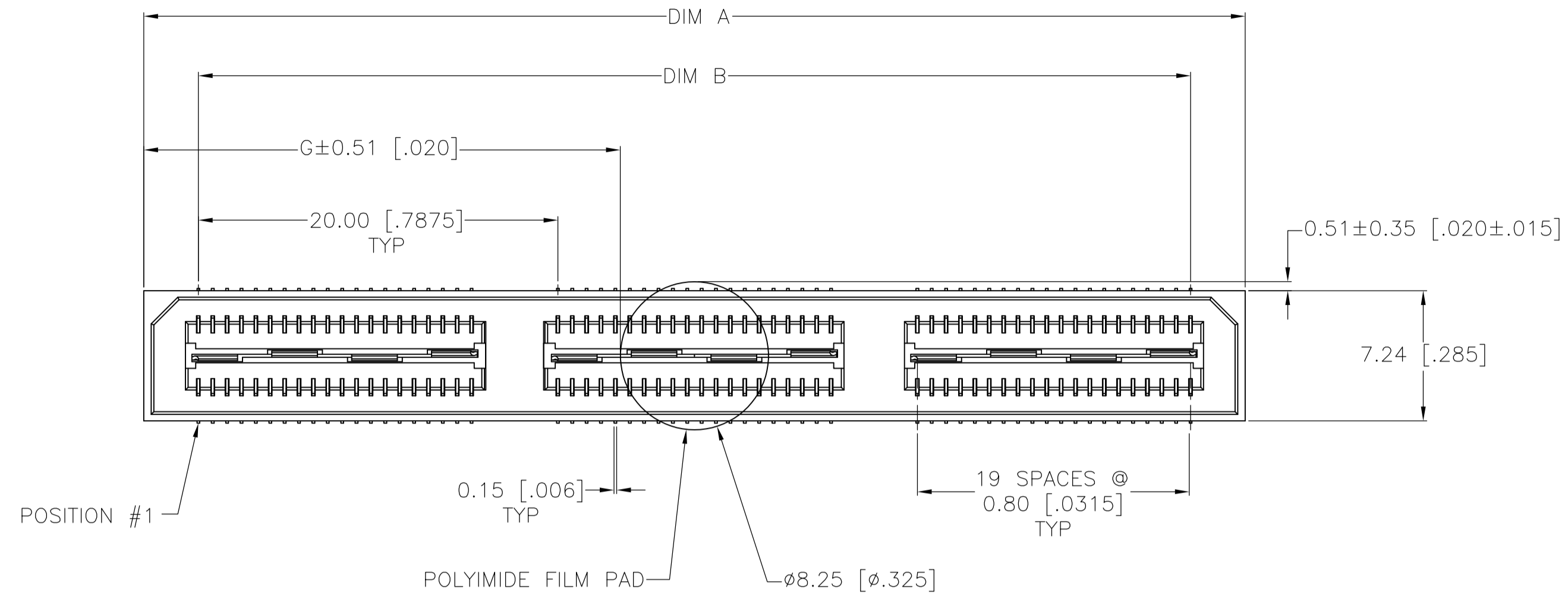
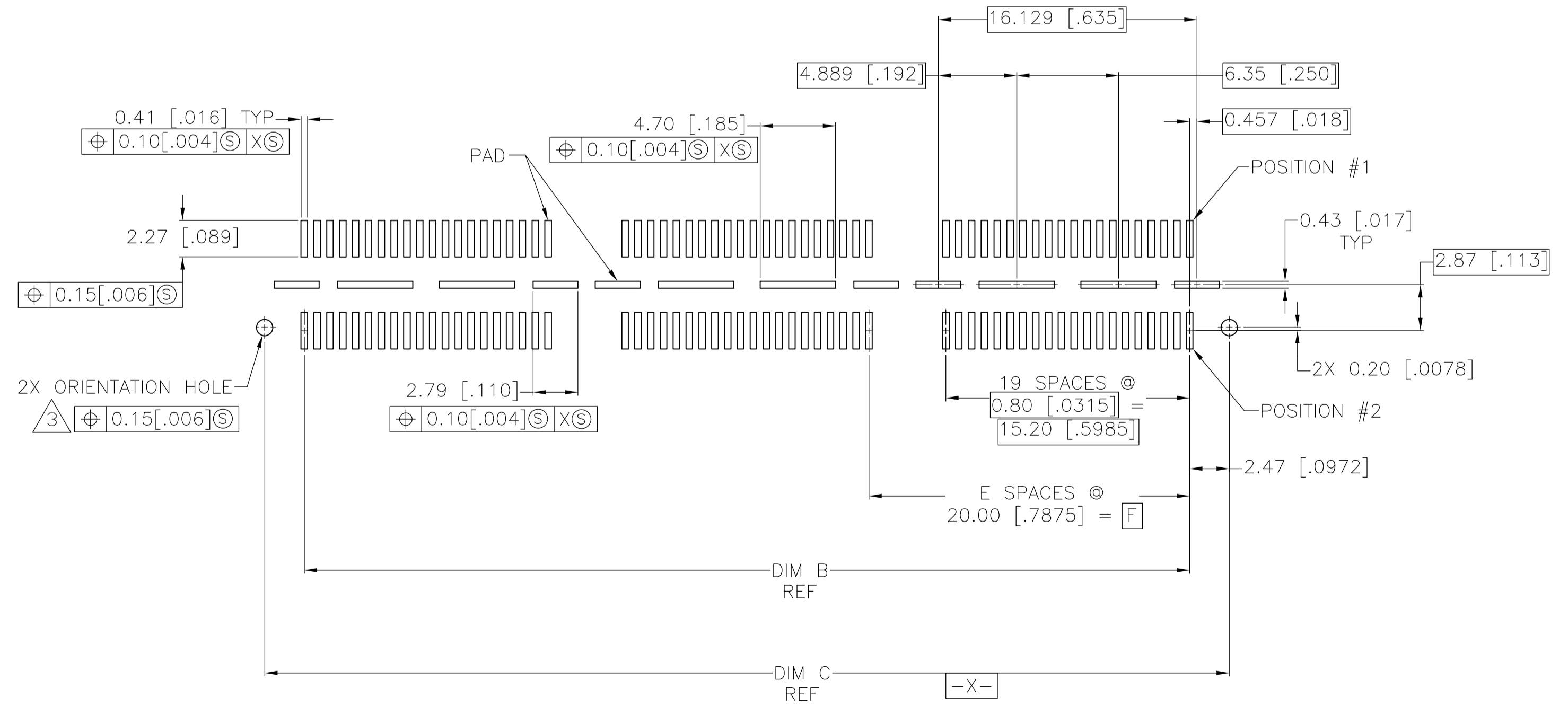
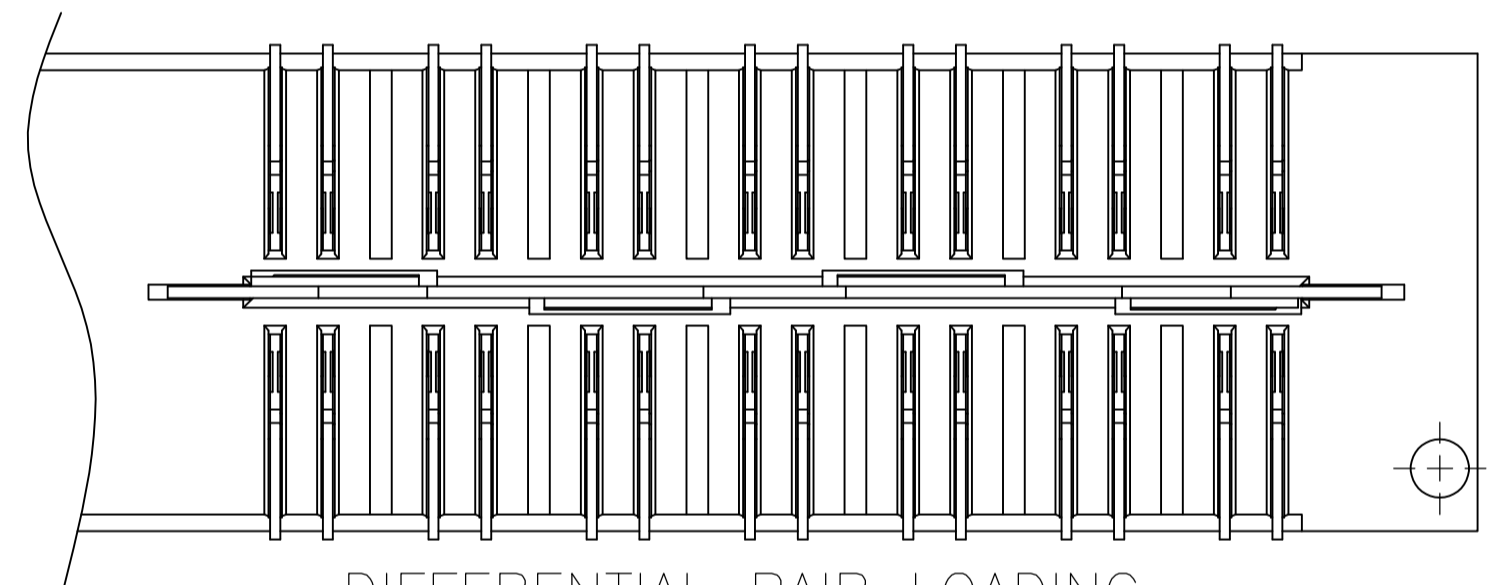
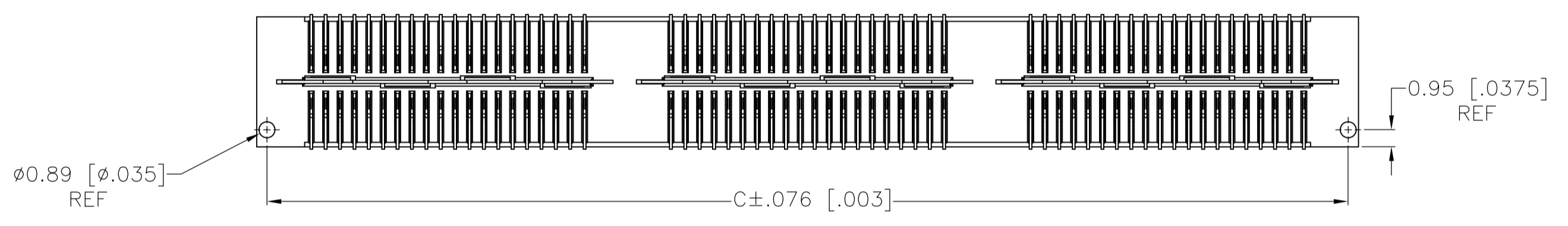


- 1 HOUSING: LCP, BLACK.
CONTACT & GROUND PLANE: PHOS BRONZE.
- 2 CONTACT PLATING: SELECT 0.25 MICROMETERS (.00010 IN) MIN. GOLD.
- 3 FOR STANDARD APPLICATIONS, ORIENTATION HOLE TO BE $\phi 1.02$ [$\phi 0.400$].
- 4 OBSOLETE PARTS: OBSOLETE CIS STREAMLINING PER D.RENAUD/D.SINISI



SECTION A-A



REV	DESCRIPTION	DATE	BY	APPV	NO OF POS	PART NUMBER
1	7-1658012-3				84	7-1658012-3
2	7-1658012-4				56	7-1658012-4
3	28				28	7-1658012-1
4	120				120	6-1658012-3
5	80				80	6-1658012-2
6	40				40	6-1658012-1
7	84				84	5-1658012-3
8	56				56	5-1658012-2
9	28				28	5-1658012-1
10	120				120	4-1658012-3
11	80				80	4-1658012-2
12	40				40	4-1658012-1
13	140				140	3-1658012-5
14	112				112	3-1658012-4
15	84				84	3-1658012-3
16	56				56	3-1658012-2
17	28				28	3-1658012-1
18	200				200	2-1658012-5
19	160				160	2-1658012-4
20	120				120	2-1658012-3
21	80				80	2-1658012-2
22	40				40	2-1658012-1
23	140				140	1-1658012-5
24	112				112	1-1658012-4
25	84				84	1-1658012-3
26	56				56	1-1658012-2
27	28				28	1-1658012-1
28	200				200	1658012-5
29	160				160	1658012-4
30	120				120	1658012-3
31	80				80	1658012-2
32	40				40	1658012-1

RECOMMENDED PC BOARD LAYOUT VIEWED FROM CONNECTOR SIDE

THIS DRAWING IS A CONTROLLED DOCUMENT.

DIMENSIONS: mm [INCHES]

TOLERANCES UNLESS OTHERWISE SPECIFIED:

0 PL	±	
1 PL	±	0.3[.01]
2 PL	±	0.15[.005]
3 PL	±	0.05[.002]
4 PL	±	0.025[.001]
ANGLES	±	°

MATERIAL: 1 FINISH: 2

THIS DRAWING IS A CONTROLLED DOCUMENT. DIB: MCMMASTER 18OCT04. CJK: 18OCT04. APVD: D DIXON 18OCT04. NAME: RECEPACLE ASSEMBLY, VERTICAL 0.80MM CL. PRODUCT SPEC: APPLICATION SPEC. SIZE: A1. CASE CODE: 00779. DRAWING NO: 1658012. WEIGHT: 1. RESTRICTED TO: CUSTOMER DRAWING. SCALE: 4:1. SHEET: 1 OF 1. REV: M2.

Mouser Electronics

Authorized Distributor

Click to View Pricing, Inventory, Delivery & Lifecycle Information:

[TE Connectivity:](#)

[3-1658012-1](#)