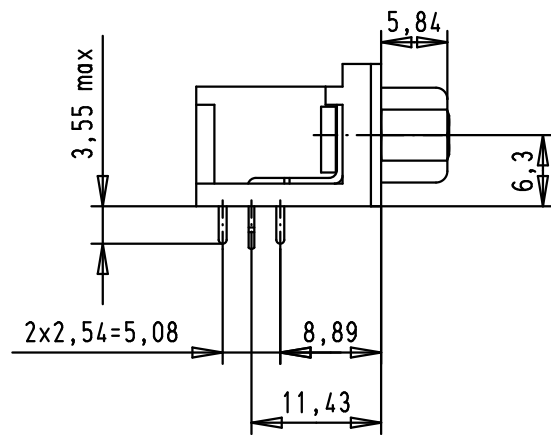
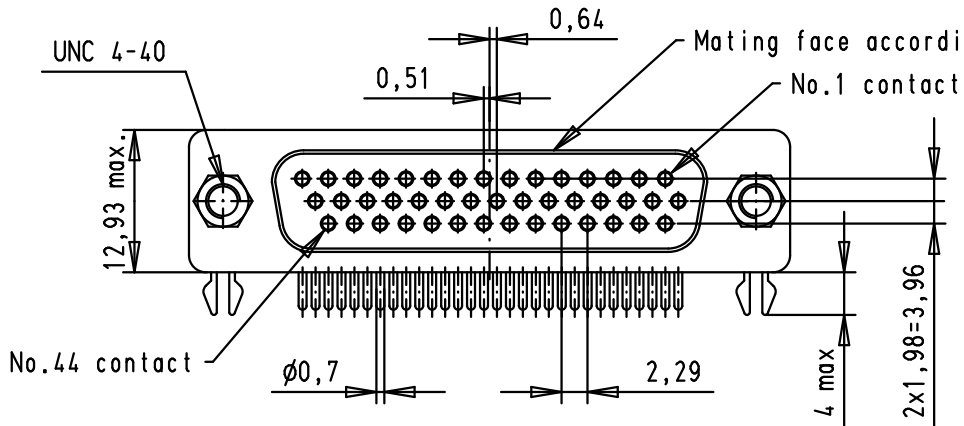
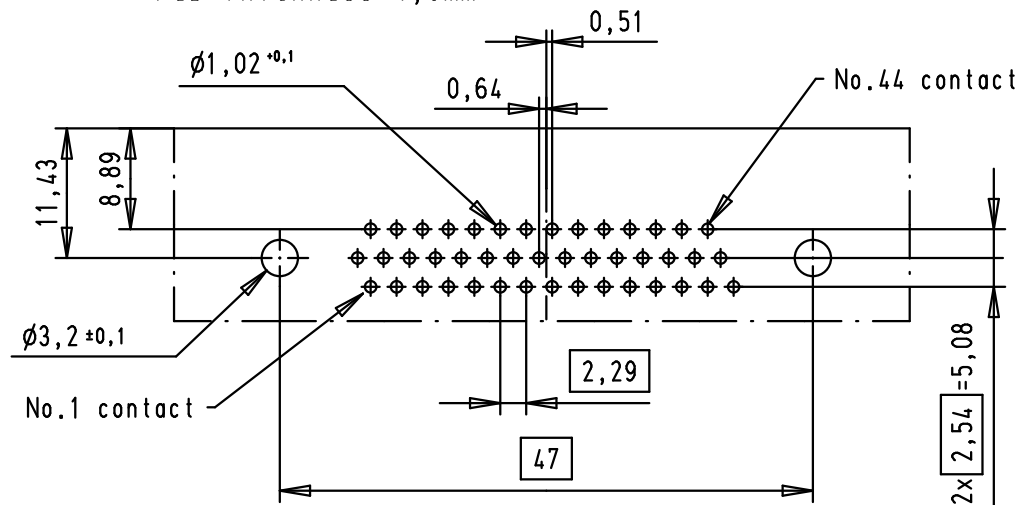
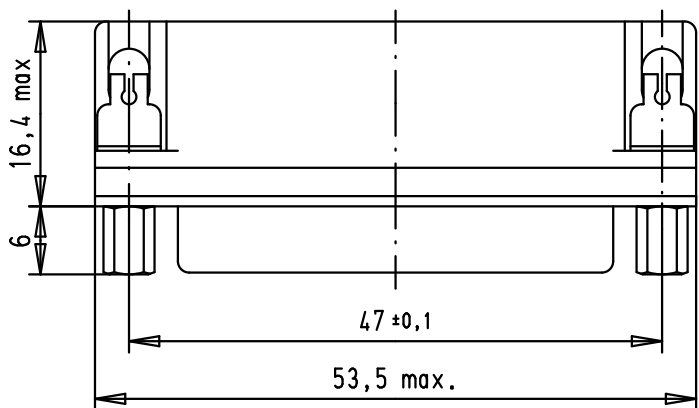




5 4 3 2 1



Printed board layout, component side
PCB thickness 1,6mm



A													
			36181	12-10-10	BH	Detail.	16-SEP-02	CV	 All Dim. in mm Orig. Size DIN A 4	Dsub, 44 poles, female, angled solder pins, screw locks, board locks	Maßstab/ Scale 1.5:1		
			EC02035	07-07-10	SC	Insp.							
			31485	16-04-03	S.H.	Stand.							
		09563525613	S4	31352	16-OCT-02	S.H.	HARTING EURL F-95972 Paris				TB 09 56 352 x613	Blatt/ Page 1 / 1	
	09563527613	PL3	31064	16-SEP-02	CV								
	Part number	Performance level	Mod.	Dat.	Name				Sub.				

Mouser Electronics

Authorized Distributor

Click to View Pricing, Inventory, Delivery & Lifecycle Information:

[HARTING:](#)

[09563525613](#) [09563527613](#)