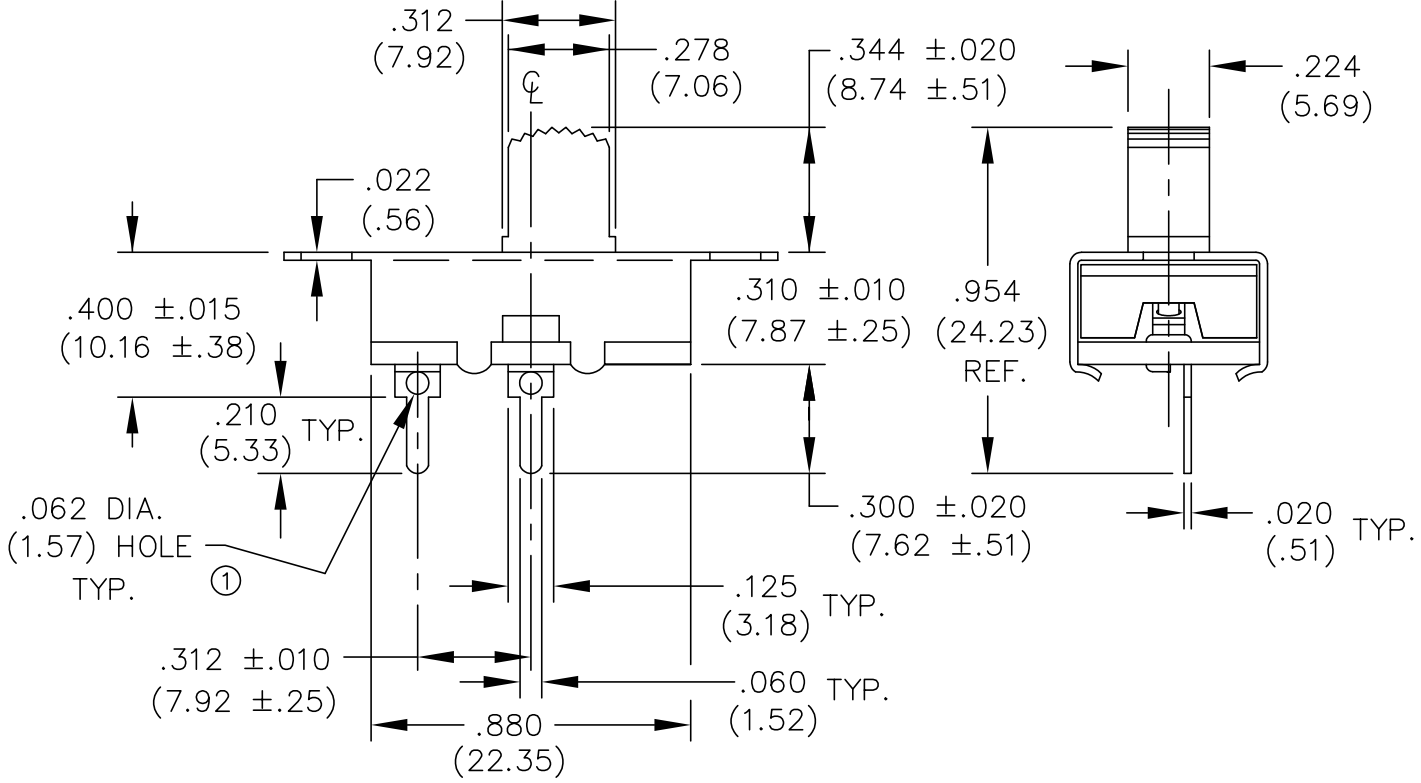
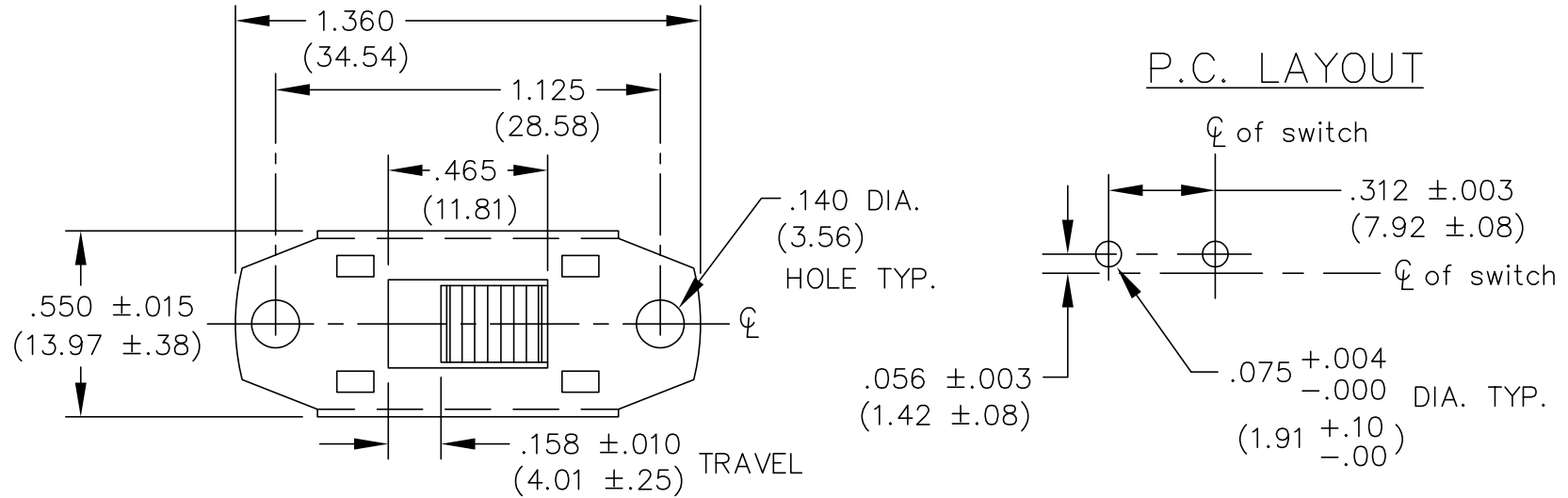


E
D
C
B
A



1 2 3 4 5 6 7 8 9 10

FORM-B4	REVISIONS	0	1
		RELEASED. DGW 4-09-2002 4-15-2002	REDRAWN. CORRECTED VIEW ON TERMINALS BY ADDING HOLES PER DRAWING G-20-26. DGW 4-29-2003 GG May 1, 2003

PDF File Made	CW INDUSTRIES Southampton, Pa. 18966		Title: SWITCH ASSEMBLY SP.- S.T. IN-LINE P.C. TERMINALS
	TOLERANCES UNLESS OTHERWISE SPECIFIED		
	2 Place Decimal ±.010	METRIC	Division: SWITCH
	3 Place Decimal ±.005	1 Place Dec. ±.25mm 2 Place Dec. ±.13mm	
	Made for: CW IND.	Checked by: GG 4-29-03	Dwg. No. GF-1123-1110
Drawn by: DGW 4-09-2002	Approval: BF 5-1-3		

Mouser Electronics

Authorized Distributor

Click to View Pricing, Inventory, Delivery & Lifecycle Information:

[CW Industries:](#)

[GF-1123-1110](#)