

4

3

2

1

THIS DRAWING IS UNPUBLISHED.

RELEASED FOR PUBLICATION

JAN ,2007.

© COPYRIGHT 2007 BY TYCO ELECTRONICS CORPORATION.

ALL RIGHTS RESERVED.

LOC

DIST

REVISIONS

E

B

P

LTR

DESCRIPTION

DATE

DWN

APVD

A

FIRST TYCO REVISION

03JAN07

DK

CM

D

D

C

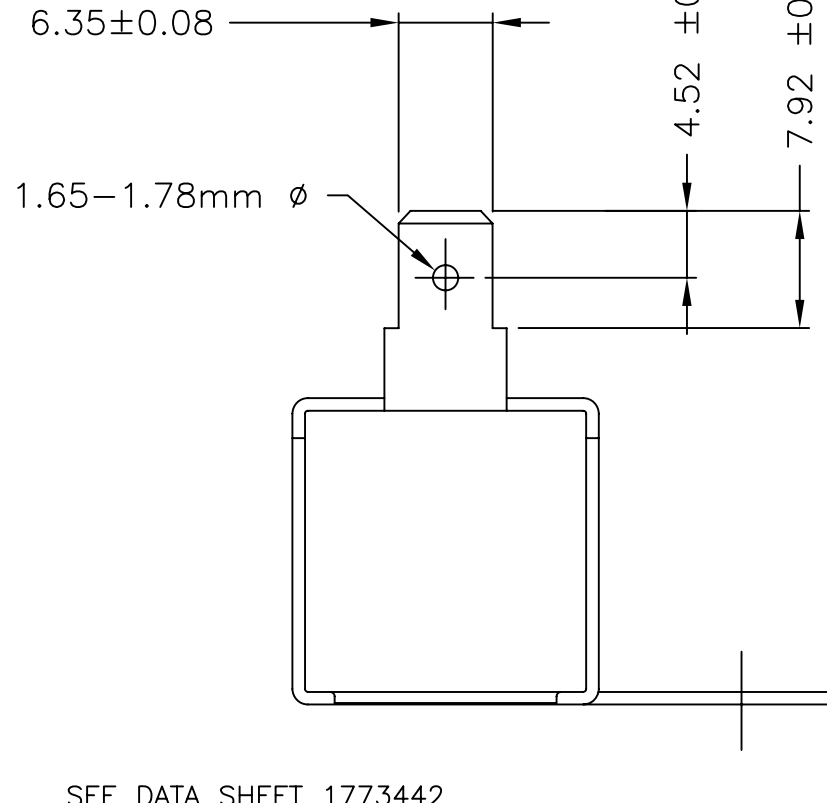
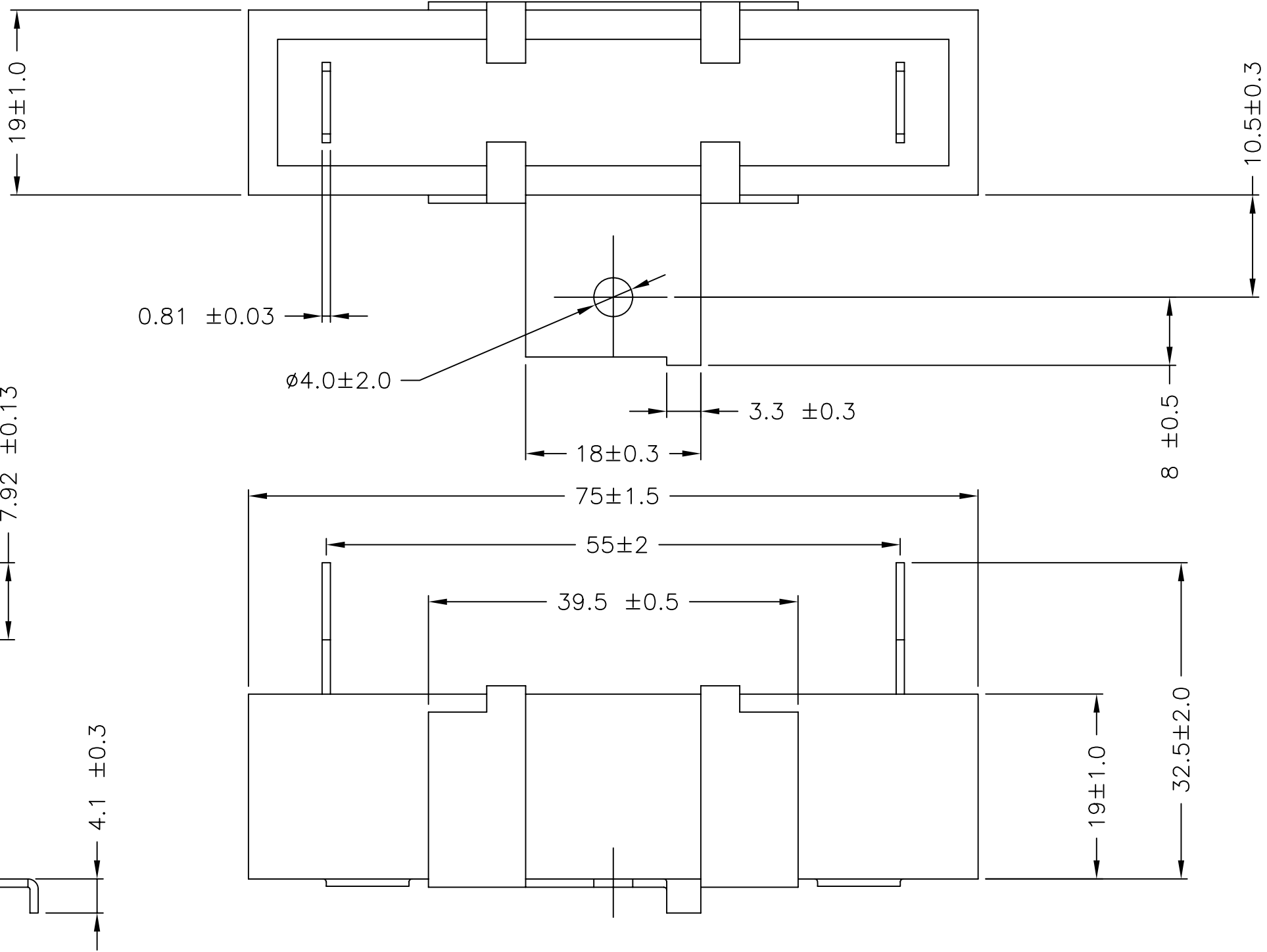
C

B

B

A

A



SEE DATA SHEET 1773442

ALL DETAILS AS PER SQB30 WITH EXCEPTION OF TERMINALS

ITEM	TYCO PART No.	OHMIC VALUE
1	1879009-1	4.7 OHMS +/- 5%

THIS DRAWING IS A CONTROLLED DOCUMENT.

DWN DAVE KENNEDY 03JAN07

CHK C MELBOURNE 03JAN07

APVD C MELBOURNE 03JAN07

PRODUCT SPEC

APPLICATION SPEC

WEIGHT

CUSTOMER DRAWING



Tyco Electronics Corporation
Dorcan, Swindon, SN3 5HH

NAME
HIGH POWER RESISTOR
SQB30 6.35mm FASTON

SIZE	CAGE CODE	DRAWING NO	RESTRICTED TO
A3	00779	C=1879009	-

DIMENSIONS:	TOLERANCES UNLESS OTHERWISE SPECIFIED:
MM	
	0 PLC ± 2
	1 PLC ± 1
	2 PLC ± -
	3 PLC ± -
	4 PLC ± -
	ANGLES ± 0.5
MATERIAL	FINISH
-	-

SCALE	SHEET	OF	REV
2:1	1	1	A

Mouser Electronics

Authorized Distributor

Click to View Pricing, Inventory, Delivery & Lifecycle Information:

[TE Connectivity:](#)

[SQBW3022RJFASTON](#)