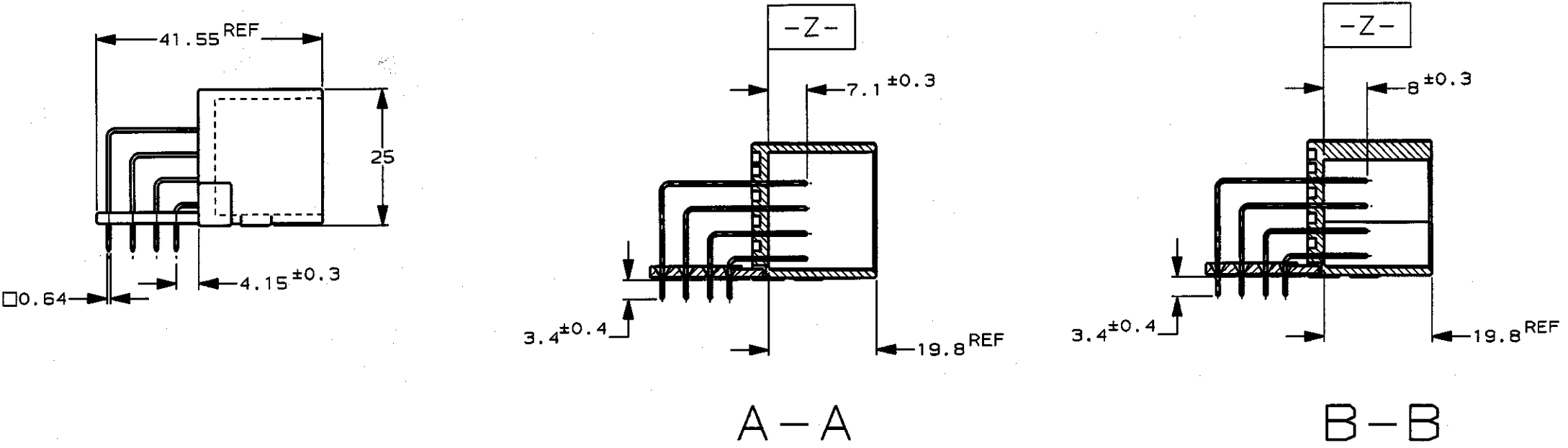
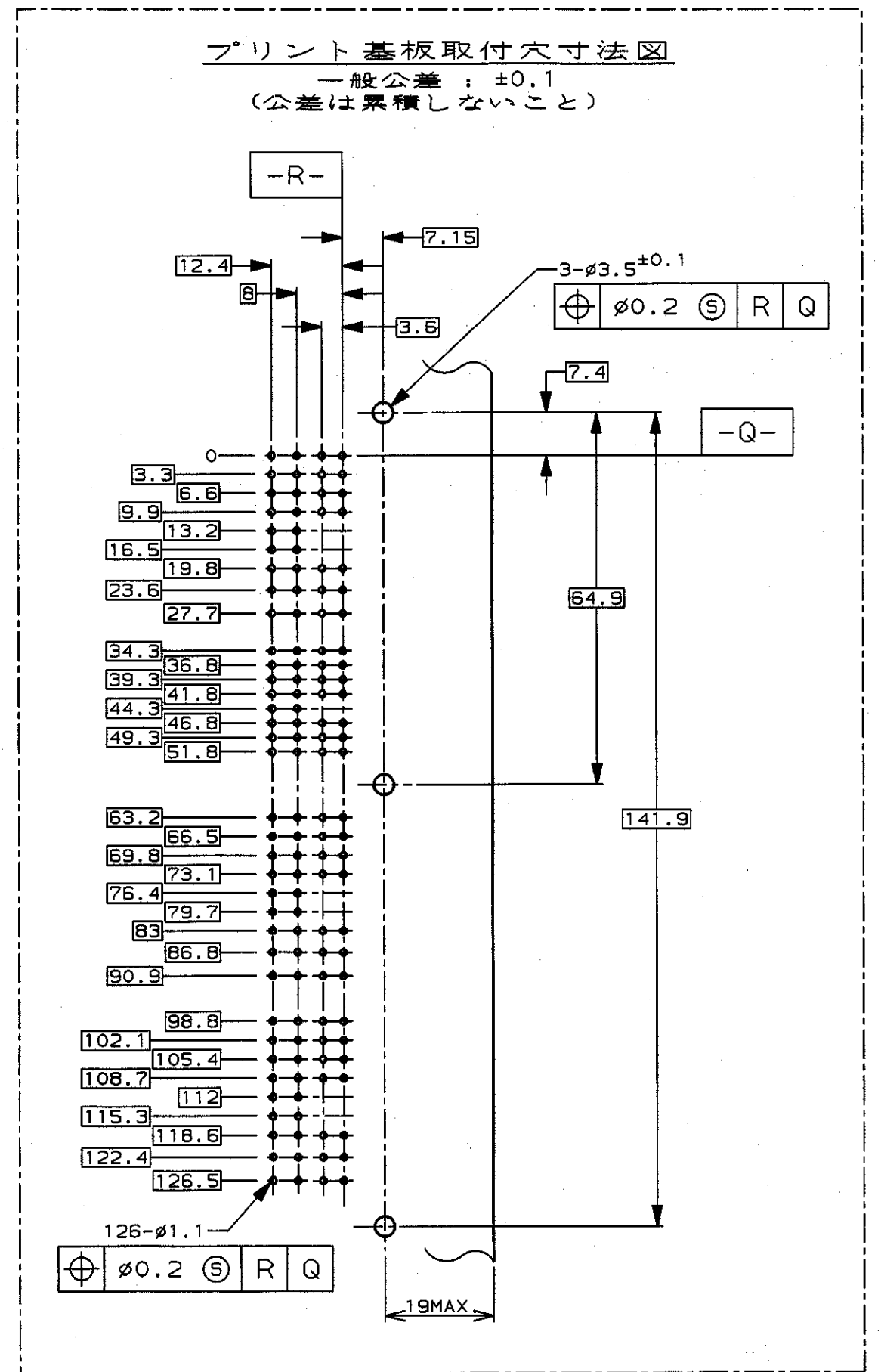
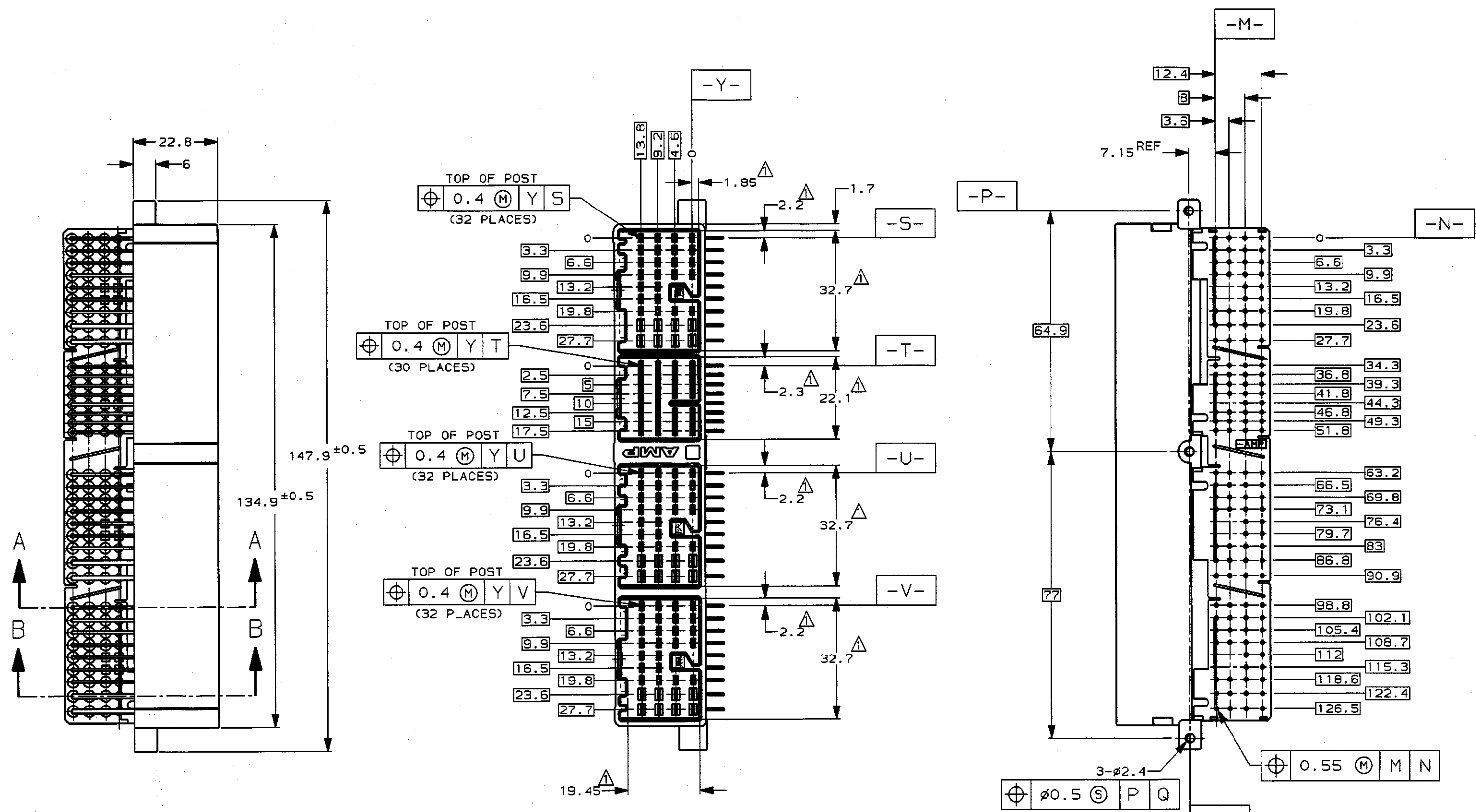


THIS DRAWING IS UNPUBLISHED. RELEASED FOR PUBLICATION .19
 © COPYRIGHT 19 BY AMP INCORPORATED. ALL RIGHTS RESERVED.

REVISIONS						
P	LTR	DESCRIPTION	ECN	DATE	DWN	APVD
0		作成 (RELEASED)	FJ00-1109-97	30JUL97	K.F	K.S
A		変更 (REVISED)	FJ00-0858-99	18MAY99	K.F	K.O



注記
 △ [-Z-] 面より8.5mmの位置で測定
 2 推奨取付ねじ: JIS B1115, B1122 タッピングねじ, なべ2種
 呼び径3, 長さ6mm以下 (締付けトルク: 0.4N.m (4Kg-cm) 以下)

NOTE
 △ MEASURED AT THE SECTION 8.5mm FROM [-Z-]
 2 RECOMMENDED SCREW: PAN-HEADED, TYPE 2 TAPPING SCREW
 OF 3D1A X 6LEN(MAX) (JIS B1115, B1122)
 (FASTENING TORQUE FOR SCREW: 0.4N.m (4Kg-cm) MAX)

THIS DRAWING IS A CONTROLLED DOCUMENT FOR AMP INCORPORATED. IT IS SUBJECT TO CHANGE AND THE CONTROLLING ENGINEERING ORGANIZATION SHOULD BE CONTACTED FOR THE LATEST REVISION.		DWN K. FUCHIBE 30JUL97	GRAY 灰色	1-353222-6
DIMENSIONS 単位: ㎜		CHK K. ODA 30JUL97	GRAY 灰色	353222-6
TOLERANCES UNLESS OTHERWISE SPECIFIED 一般公差 10㎜: ±0.2 3㎜: ±0.25 100㎜: ±0.3 ANGLE: ±3°		APVD K. SHIMIZU 30JUL97	HOUSING COLOR ハウジング色	P/N
MATERIAL HOUSING 仕上: PBT CONTACT: BRASS		PRODUCT SPEC 108-5580(-1) INSTRUCTION SHEET 411-5828(-1)	AMP KAWASAKI, JAPAN 名番 126Pos. CAP HOUSING ASS'Y .040II/.070II HD HYBRID I/O CONN. 126極 キャップ ハウジング アッセンブリ .040II/.070II HD ハイブリット I/O コネクタ .040X102極, .070x24極	
WEIGHT 54.3g		SIZE A2	CAGE CODE 00779	DRAWING NO C-353222
CUSTOMER DRAWING		SCALE 1-1 SHEET 1 OF 1 REV A		

Mouser Electronics

Authorized Distributor

Click to View Pricing, Inventory, Delivery & Lifecycle Information:

[TE Connectivity:](#)

[1-353222-6](#)