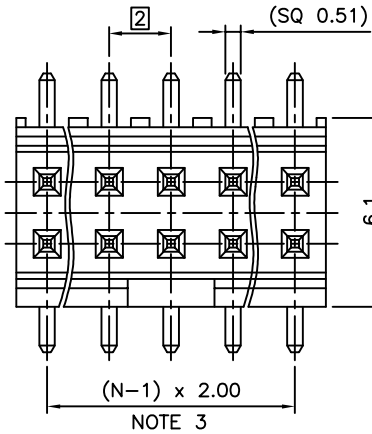


PRODUCT NUMBER
95615-XXXXLF

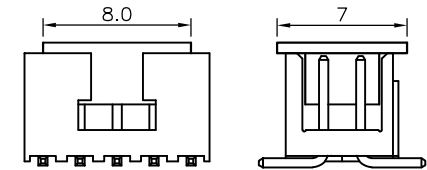
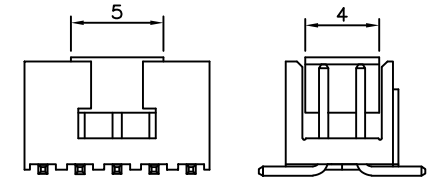
PLATING

- 0 = 0.20µm GOLD/GXT ON CONTACT AREA
2µm MIN MATTE TIN ON TAIL
 - 1 = 0.76µm GOLD/GXT ON CONTACT AREA
2µm MIN MATTE TIN ON TAIL
 - 3 = 0.38µm GOLD/GXT ON CONTACT AREA
2µm MIN MATTE TIN ON TAIL
 - 5 = 0.38µm GXT FULL PLATED
 - 6 = 0.76µm GXT FULL PLATED
 - 7 = 0.76µm GOLD/GXT FULL PLATED
 - 9 = 0.20µm GOLD/GXT FULL PLATED
- 1.27µm Ni MIN UNDERPLATING

- RoHS COMPATIBLE, SEE NOTE 6
- PACKAGING, SEE NOTE 5
- TOTAL NB OF POSITIONS, 08 TO 34



STANDARD PICK-UP CAP



LARGE PICK-UP CAP NOTE 5
NOT AVAILABLE FOR 2X2

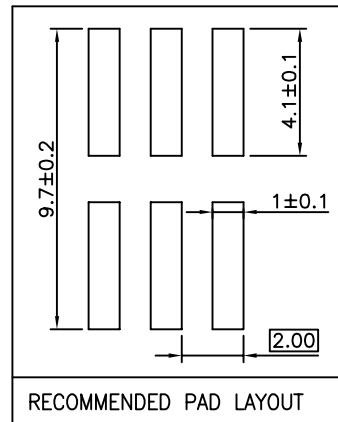
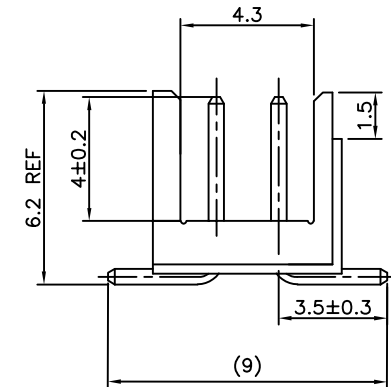
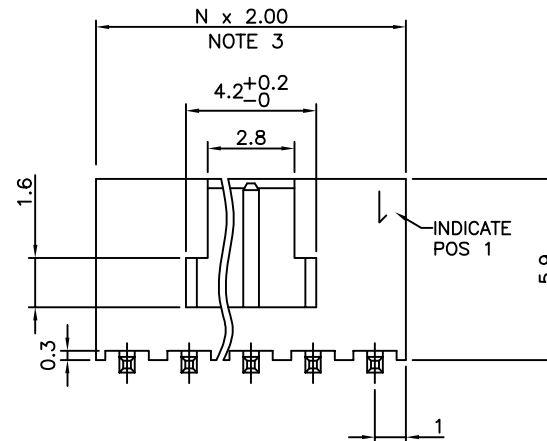
NOTES:

1. MATERIAL HOUSING: HIGH TEMP. THERMOPLASTIC
UL 94V-0, COLOR CREAM
2. MATERIAL TERMINAL: COPPER ALLOY
3. TO DETERMINE DIMENSIONS:
N = NUMBER OF POSITIONS PER ROW
4. 7N MIN. PIN RETENTION IN EITHER DIRECTION.
5. PACKAGING:

- = POLYBAGS
- T = TUBE AVAILABILITY : FROM 2x5 UP TO 2x 17
- B = TUBE WITH PICK UP CAP AVAILABLE FROM 2x5 UP TO 2x 17
- K = TAPE AND REEL WITHOUT PICK-UP CAP, AS AVAILABLE
- A = TAPE AND REEL WITH LARGE PICK-UP CAP, AS AVAILABLE
- TR = TAPE AND REEL WITH PICK-UP CAP, AS AVAILABLE.

6. RoHS COMPATIBLE PRODUCT SPECIFICATIONS

- a - PLATING:
 - "LF" MEANS THE PRODUCT IS LEAD-FREE,
2µm MINIMUM MATTE TIN OVER 1.27µm
MINIMUM NICKEL UNDERPLATE.
- b - MANUFACTURING PROCESS COMPATIBILITY
 - THE HOUSING WILL WITHSTAND EXPOSURE TO
260°C PEAK TEMPERATURE FOR 30 SECONDES
MAX IN A CONVECTION, INFRA-RED OR VAPOR
PHASE OR REFLOW OVEN.
- c - LABELLING:
 - MEETS PACKAGING SPECS AS PER GS-14-920
 - THIS PRODUCT MEETS EUROPEAN DIRECTIVES
AND OTHER COUNTRY REGULATIONS AS DISCRIBED
IN GS-47-0004.



RECOMMENDED PAD LAYOUT

mat'l. code		surface		tolerance		projection		product family		
SEE NOTES		ISO 1302 ✓		ISO 406 ISO 101		101		MINITEK HEADER		
ltr	ecn no	dr	date	tolerances unless otherwise specified			title			
T	F-23051	AMA	16.01.15	angles	linear	.X ±0.3	SHR HEADER			
U	F-49571	DDE	23.10.25	±2'		.XX ±0.13	2.00mm SMT			
						.XXX ±0.05	scale 7:1			
N	F08-0145	ELA	08.04.15	dr	JL.CORDIER	97.07.26				
P	F11-0071	JCO	11.06.17	engr	J.COMPAGNON	97.07.26				
R	F11-0339	JCO	11.12.06	chr	JL.CORDIER	97.07.26				
S	B-19190	LMU	14.10.24	app	J.COMPAGNON	97.07.26				
sheet	revision									
index	sheet									