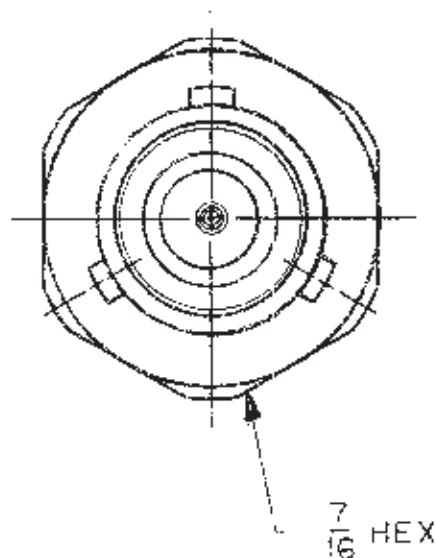
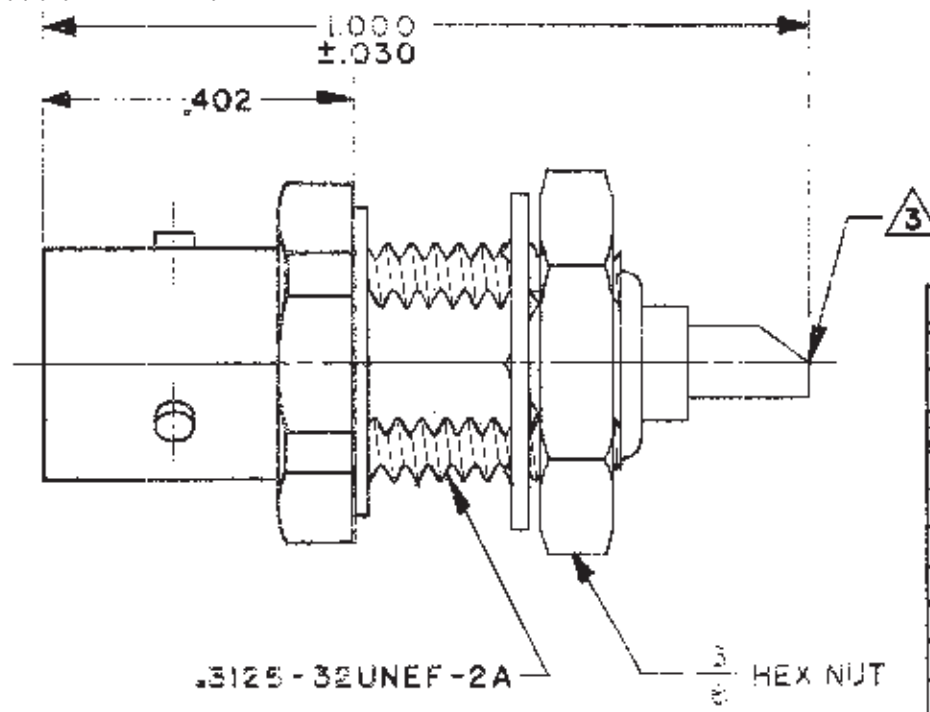


**RECOMMENDED
PANEL CUTOUT
SCALE: 2/1**



REVISIONS			1000-0403	SH :	
REV	EO	DESCRIPTION	DWN	APPROVED	DATE
A	2465	MODEL WAS BU-57	MCW	<i>[Signature]</i>	7-2-73
B	2800	FINISH WAS TFS-1B (GOLD)	POB	<i>[Signature]</i>	3-12-75
C	2908	REV PL ITEMS 5 & 6 PN	CU	<i>[Signature]</i>	7-8-75
D	3366	ITEM 4PN WAS 8000-1274	CU	<i>[Signature]</i>	7-8-76
E	7239	3/8 HEX WAS 7/16 HEX	CKH	F3 <i>[Signature]</i>	9-29-86



INCH	MM
.005	0.13
.030	0.76
.039	0.99
.218	5.54
.281	7.14
.285	7.24
.317	8.05
.321	8.15
.402	10.21
1.000	25.40

- 5. MAX PNL THK .218
- 4. TPS SOLDER POT BULKHEAD MOUNT JACK

3 SOLDER POT ACCEPTS .039 DIA CONDUCTOR

- 2. FINISH: TFS-1A (NICKEL)
- 1. ALL DIM ARE IN INCHES

6000-0835	
6000-0216	
NEXT ASSY	

QTY	DESCRIPTION		PART NUMBER	ITEM		
TOL UNLESS SPECIFIED			8050			
.XX	±					
.XXX	±.005					
.XXXX	±					
ANGLES ±						
DWN	JKR	7-10-73	MATERIAL	CODE IDENT	DRAWING NO.	REV
CHK	<i>[Signature]</i>	8-29-73	—	14949	1000-0403	E
ENGR	<i>[Signature]</i>	9-7-73	SCALE 4/1	DATE 9-11-73	SHEET 1 OF 2	
APPR	<i>[Signature]</i>	11-73				

Mouser Electronics

Authorized Distributor

Click to View Pricing, Inventory, Delivery & Lifecycle Information:

[Cinch Connectivity Solutions:](#)

[BJ50](#)