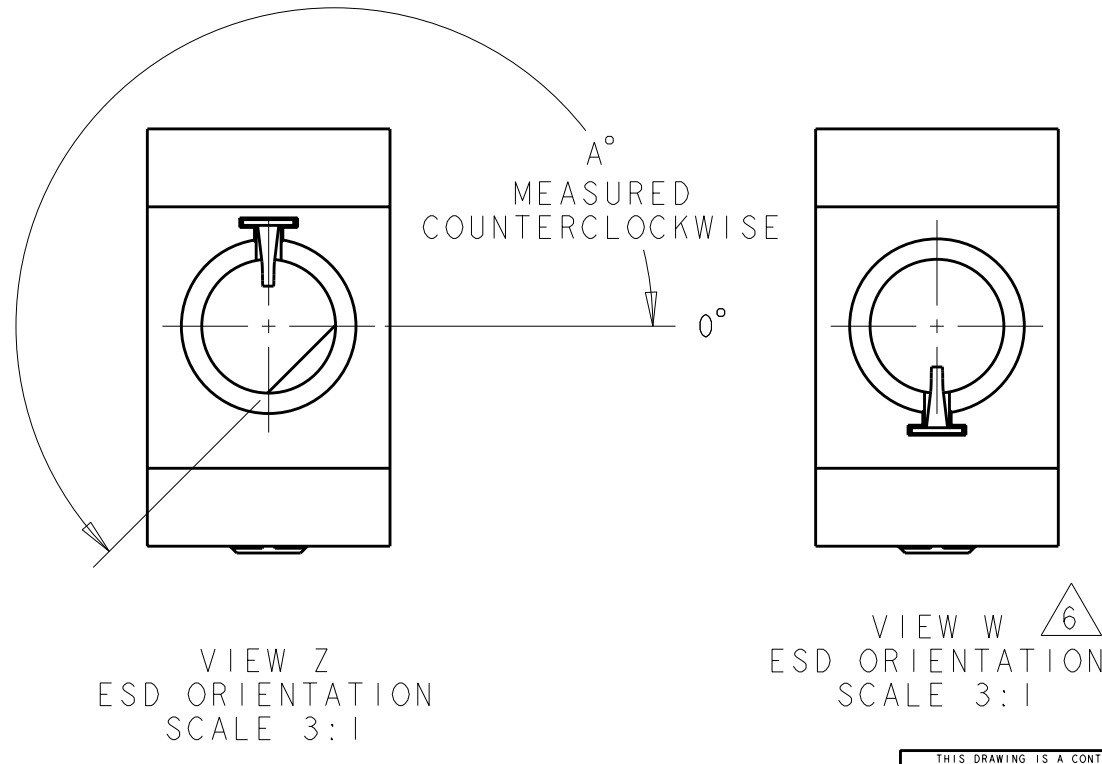
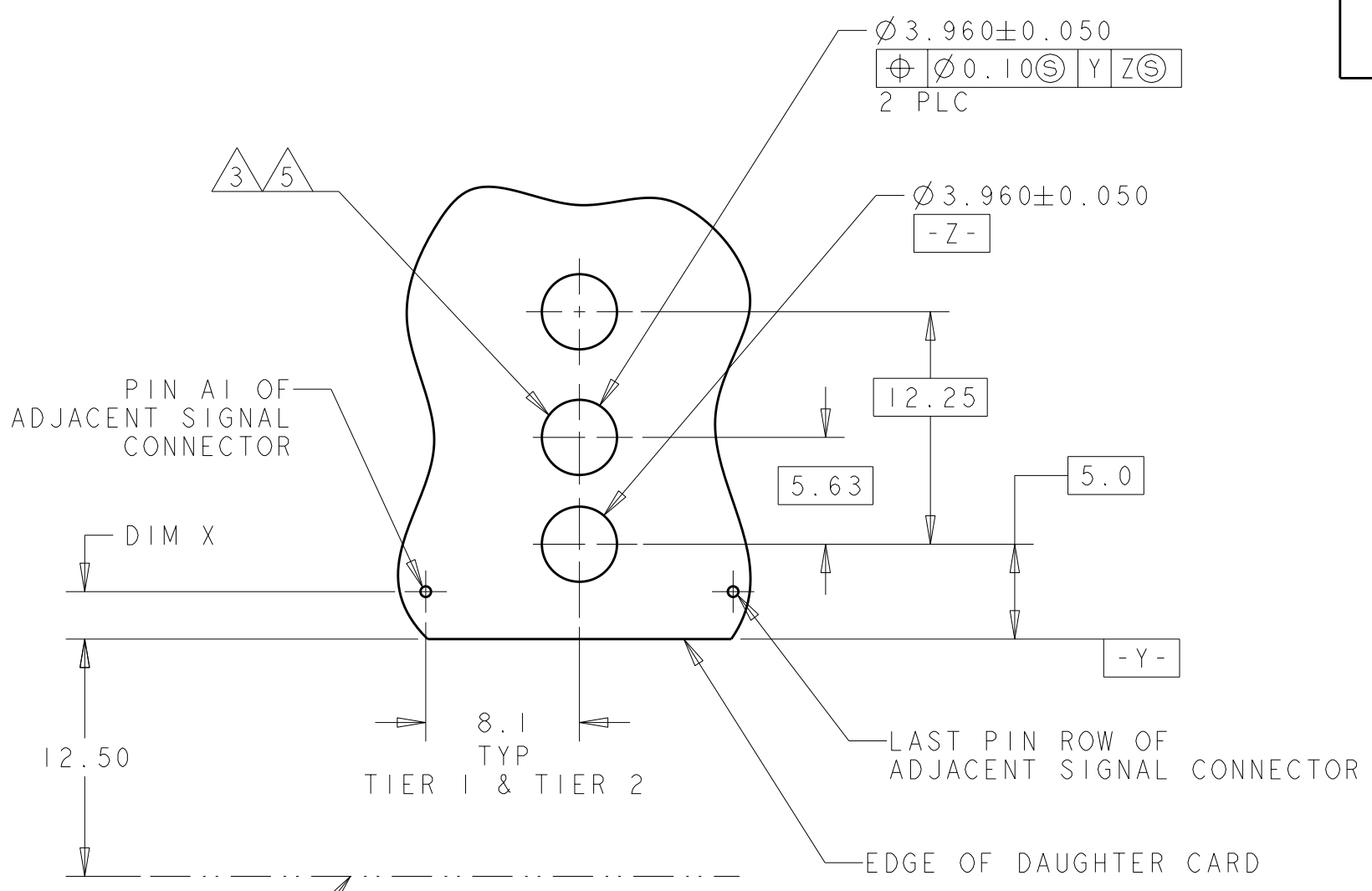
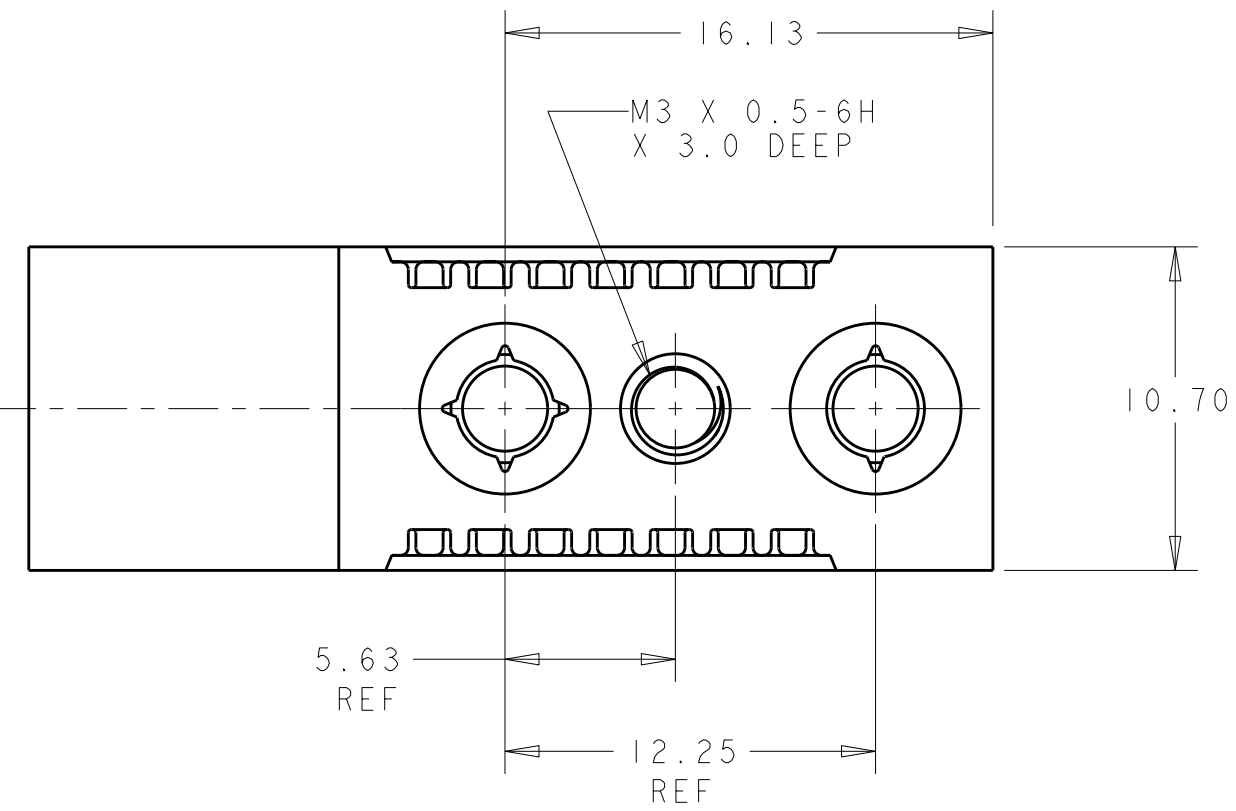
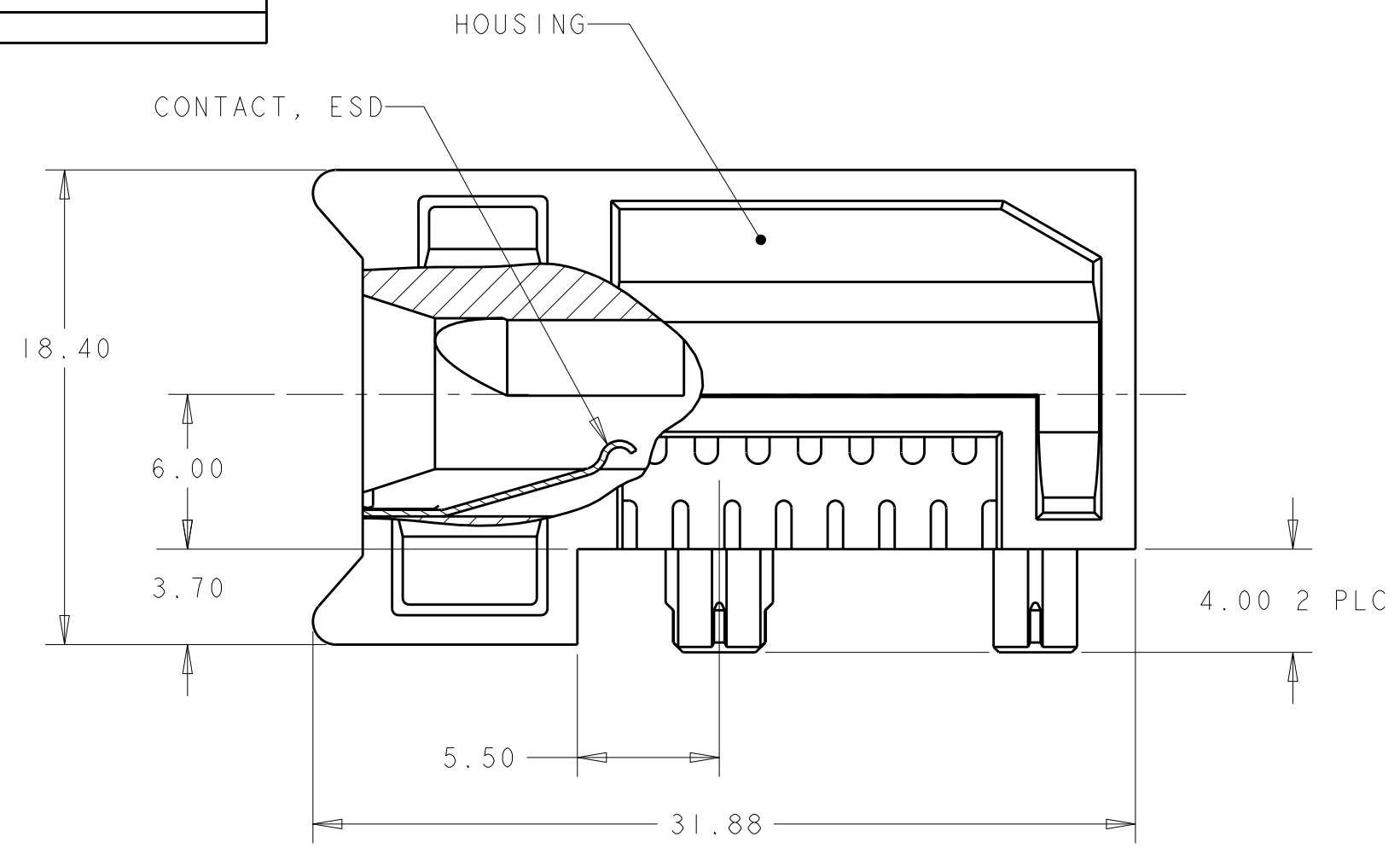
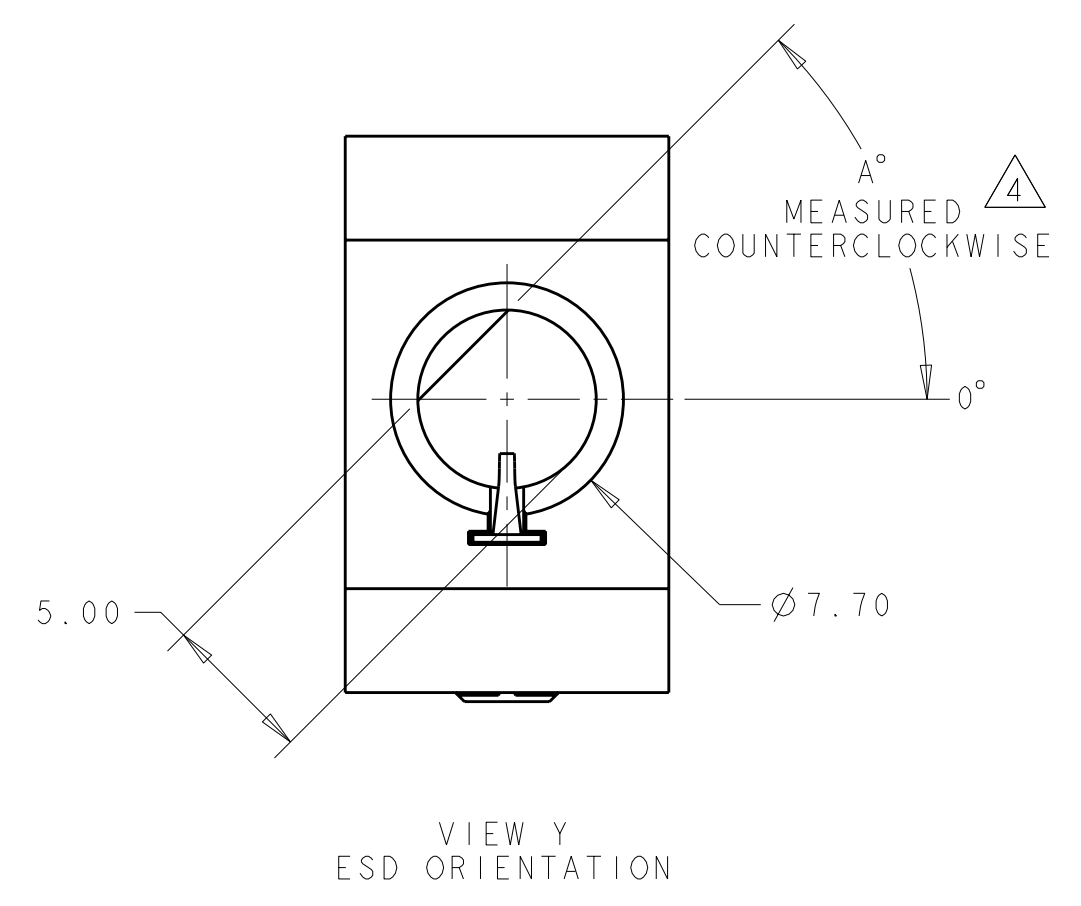


THIS DRAWING IS UNPUBLISHED. RELEASED FOR PUBLICATION 20
 © COPYRIGHT 20 BY TYCO ELECTRONICS CORPORATION. ALL RIGHTS RESERVED.

LOC	DIST	REVISIONS					
GP	00	P	LTR	DESCRIPTION	DATE	DWN	APVD
		A		REV PER EC 0S12-0206-05	18APR2005	BC	GG
		A1		REV PER ECO-07-018424	04SEP2007	BC	GG
		A2		REVISED PER ECO-10-000445	25JAN2010	KK	HMR



- 1 MATERIAL:
HOUSING: ZINC ALLOY DIE CASTING, ZAMAK 3
CONTACT: PHOSPHOR BRONZE
- 2 FINISH:
HOUSING: CHROMATE CONVERSION COATING
ESD CONTACT: 1.27µm MINIMUM NICKEL ALL OVER
- 3 HOLE FOR POSITIVE RETENTION SCREW
- 4 DASH NUMBERS INDICATE KEY ORIENTATION
(P/N 1410297-2 SHOWN ON DRAWING)
- 5 GROUND PAD Ø5mm ON RETENTION HARDWARE SIDE OF PCB
- 6 GUIDE MODULE W/O KEYING,
GUIDE PIN 1410548-2 & 1410548-3 MUST BE ORIENTED
TO PROVIDE PROPER ESD PERFORMANCE
- 7 FINISH:
HOUSING: NICKEL OVER COPPER.
ESD CONTACT: 1.27µm MINIMUM NICKEL ALL OVER.
- 8
- 9 OBSOLETE PARTS: OBSOLETE CIS STREAMLINING PER
D.RENAUD/D.SINISI

VIEW	ANGLE	REVISION	DESCRIPTION		
VIEW W	6°	7	1-1410297-9		
VIEW Y	315°	7	1-1410297-8		
VIEW Z	270°	7	1-1410297-7		
VIEW Z	225°	7	1-1410297-6		
VIEW Z	180°	7	1-1410297-5		
VIEW Z	135°	7	1-1410297-4		
VIEW Y	90°	7	1-1410297-3		
VIEW Y	45°	7	1-1410297-2		
VIEW Y	0°	7	1-1410297-1		
SUPERSEDED BY	1-1410297-9	VIEW W	6°	2	1410297-9
SUPERSEDED BY	1-1410297-8	VIEW Y	315°	2	1410297-8
SUPERSEDED BY	1-1410297-7	VIEW Z	270°	2	1410297-7
SUPERSEDED BY	1-1410297-6	VIEW Z	225°	2	1410297-6
SUPERSEDED BY	1-1410297-5	VIEW Z	180°	2	1410297-5
SUPERSEDED BY	1-1410297-4	VIEW Z	135°	2	1410297-4
SUPERSEDED BY	1-1410297-3	VIEW Y	90°	2	1410297-3
SUPERSEDED BY	1-1410297-2	VIEW Y	45°	2	1410297-2
SUPERSEDED BY	1-1410297-1	VIEW Y	0°	2	1410297-1
ESD ORIENTATION	A°	PART NUMBER	4		

DIM X	TIER 1	TIER 2
2.50	2.25	

THIS DRAWING IS A CONTROLLED DOCUMENT FOR TYCO ELECTRONICS CORPORATION. IT IS SUBJECT TO CHANGE AND THE CONTROLLING ENGINEERING ORGANIZATION SHOULD BE CONTACTED FOR THE LATEST REVISION.

DWN: L.SIPE 26OCT2001
 CHK: D.DEFIBAUGH 26OCT2001
 APVD: G.GRIFFITH 18APR2005

Tyco Electronics Corporation
 Harrisburg, PA 17105-3608

NAME: KEY/ESD GUIDE MODULE ASSEMBLY, 20.3mm, MULTIGIG, DAUGHTER CARD

SIZE: A2 CAGE CODE: 00779 DRAWING NO: 1410297 RESTRICTED TO: -

MATERIAL: 1 - FINISH: 2 -

PRODUCT SPEC: -
 APPLICATION SPEC: -
 WEIGHT: -

CUSTOMER DRAWING SCALE: 1:1 SHEET: 1 OF 1 REV: A2

Mouser Electronics

Authorized Distributor

Click to View Pricing, Inventory, Delivery & Lifecycle Information:

[TE Connectivity:](#)

[1-1410297-1](#)