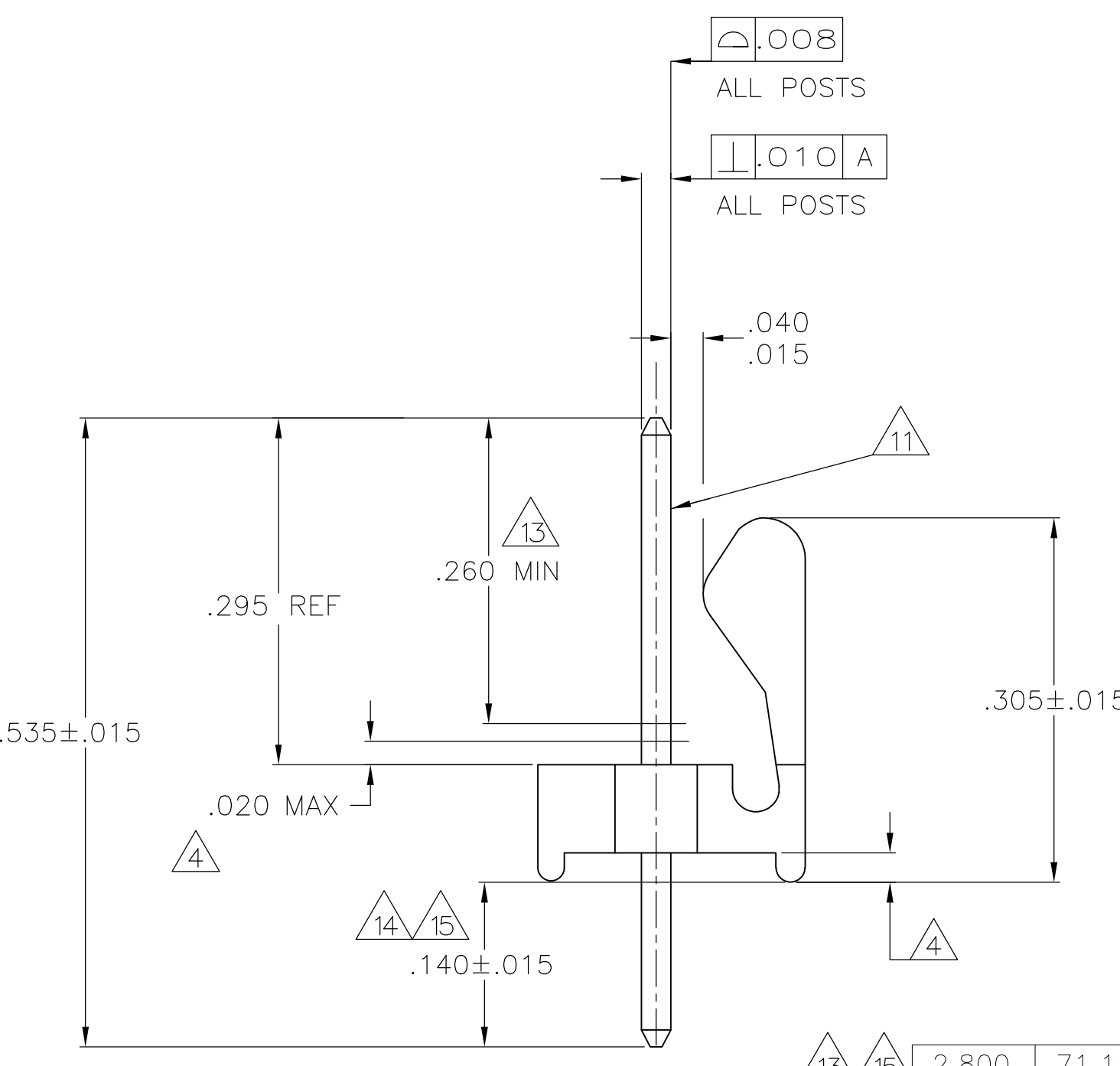
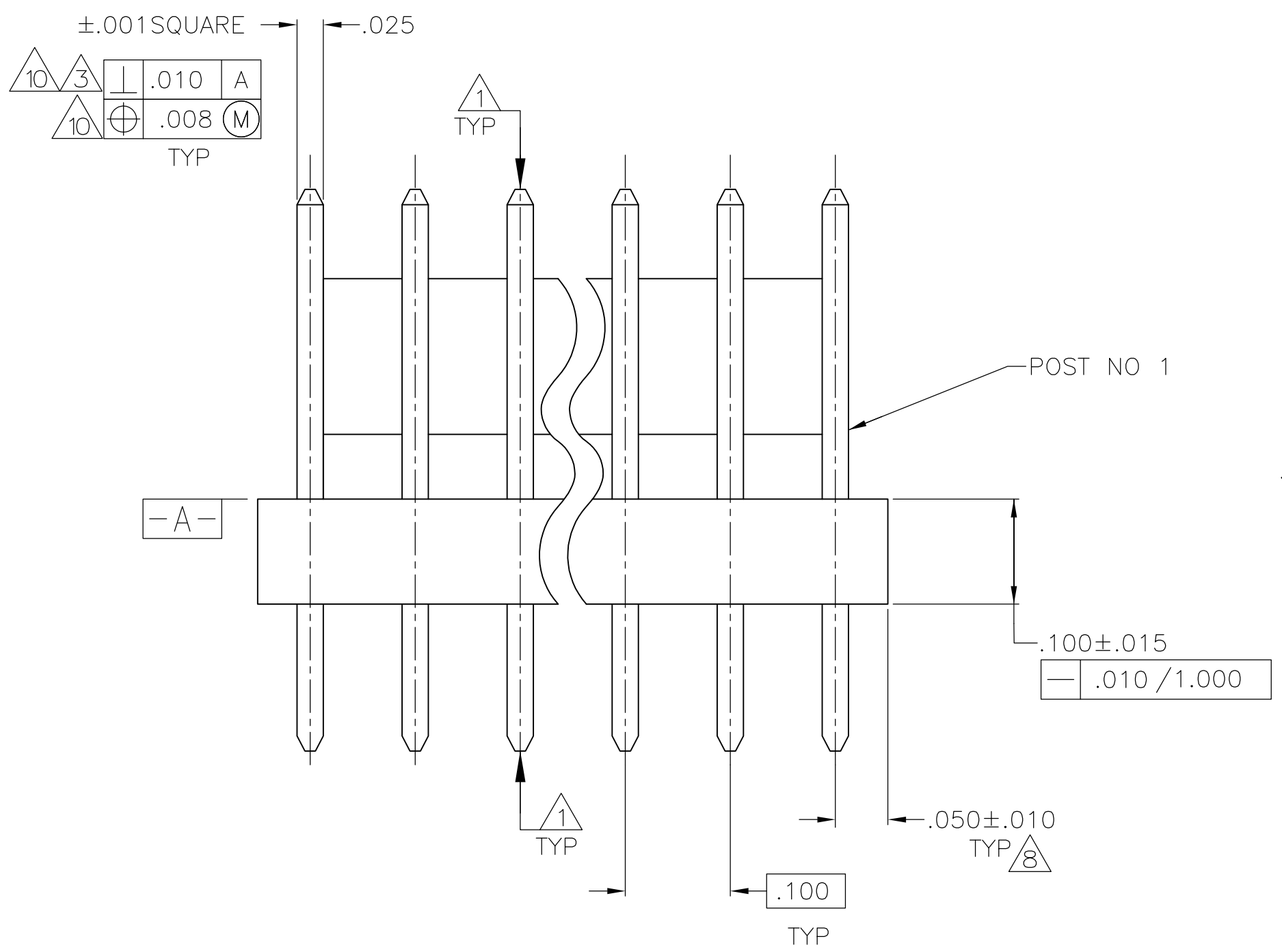
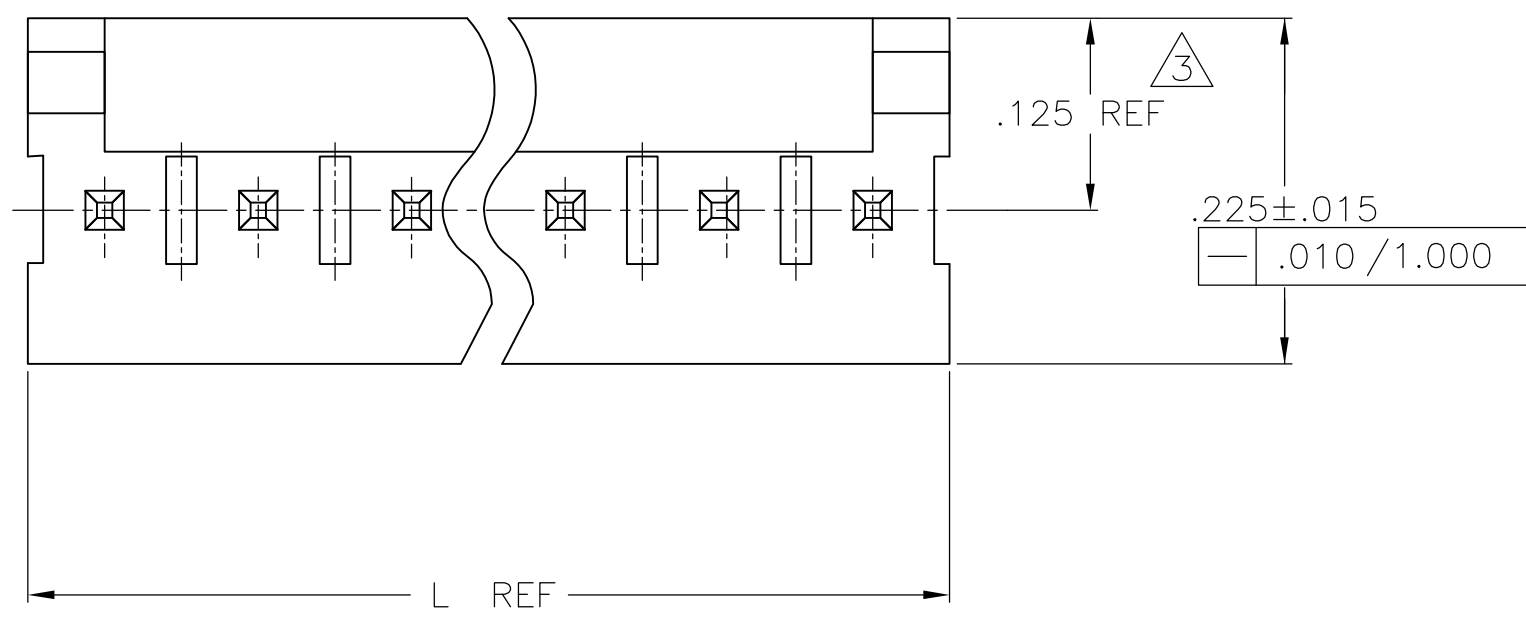


| REVISIONS | | | | |
|-----------|-------------|---------------|-----------|----------|
| P | LTR | DESCRIPTION | DATE | BY |
| Z4 | REVISED PER | ECR-17-011770 | 28AUG2017 | N.L. D.Z |

- 1 POST TO WITHSTAND 13 NEWTONS (3 LBS) MIN. AXIAL FORCE BOTH DIRECTIONS SHOWN WITHOUT DISLODGING.
- 2 TOLERANCES APPLY TO SOLDER SIDE OF BOARD.
- 3 MEASURED AT SURFACE -A-
- 4 PLASTIC FLASH PERMITTED IN THIS AREA.
- 5 PARTS COMPLY WITH AMP SOLDERABILITY SPEC. NO. TEC-109-11-12-1.
- 6 ONE HOLE MAY BE UNDERSIZED (.032-.035 DIA) FOR ASSEMBLY RETENTION DURING WAVE SOLDERING.
- 7 MATERIAL: HEADER-THERMOPLASTIC POLYESTER UL94V-0(NATURAL) POST-COPPER ALLOY (SEE NOTES 13 & 14 FOR PLATING)
- 8 COORDINATE DIMENSION APPLIES FROM CENTER OF ACTUAL FEATURE.
- 9 PLASTIC BURRS CAUSED BY CUT-OFF TOOLING ARE PERMITTED WITHIN THE MAXIMUM TOLERANCE ENVELOPE.
- 10 POSTS TO BE MEASURED WHEN STRIP IS HELD FLAT.
- 11 POSTS MUST WITHSTAND TWO 90° BENDS AGAINST EXTRUSION WITHOUT BREAKING.
- 12 DIMENSION SHOULD BE .130 MIN WHEN MATING WITH A MTA 100 CONNECTOR ASSEMBLY OR A CST 100 CONNECTOR.
- 13 PLATING: GOLD PLATE AREA, .000030 GOLD OR .000003 MIN GOLD FLASH OVER .000027 PALLADIUM NICKEL, PER TE CONNECTIVITY'S DISCRETION, ALL SIDES, OVER NICKEL UNDERPLATE, .000050 MIN, ALL SIDES AND ENTIRE LENGTH OF POST.
- 14 MATTE TIN PLATE AREA, .000150-.000350 THICK, ALL FOUR SIDES, .140 MIN.
- 15 TIN PLATE AREA, .000150-.000350 THICK, ALL FOUR SIDES, .140 MIN.
- 16 OBSOLETE PARTS: OBSOLETE CIS STREAMLINING PER D.RENAUD/D.SINISI

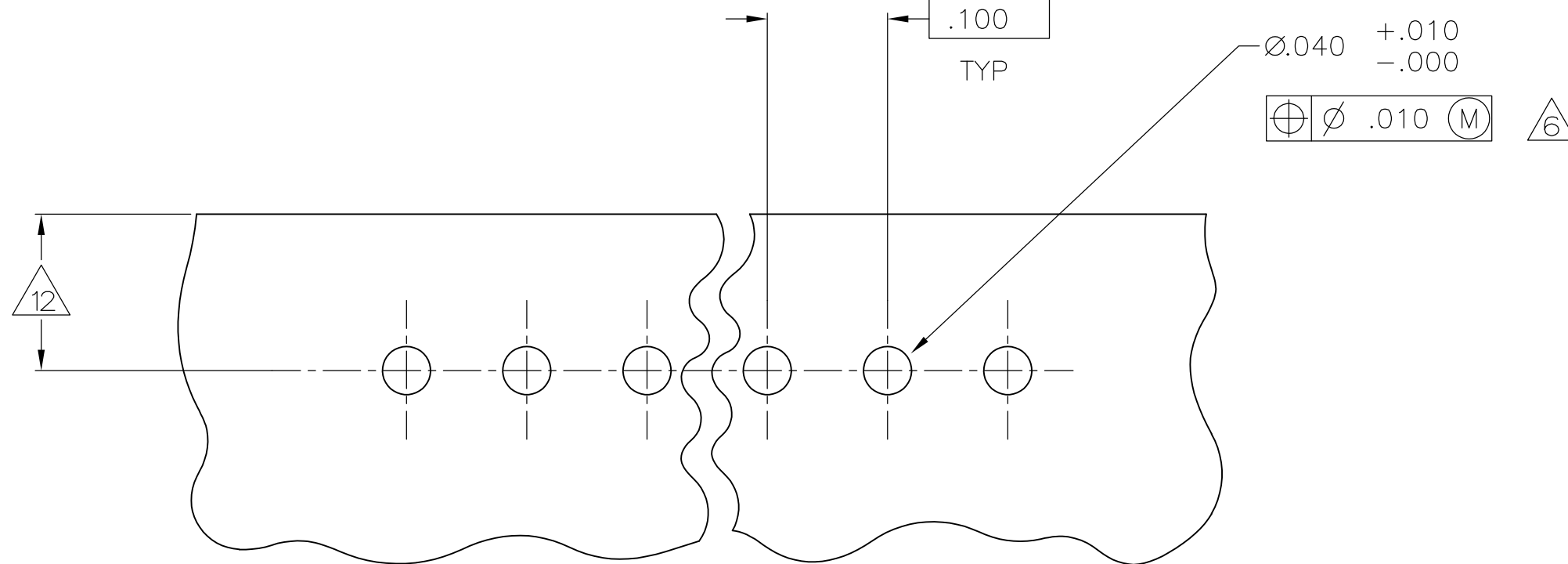


| | | | |
|-------|-------|-----------------|-------------|
| 2.800 | 71.12 | 28 | 5-641215-8 |
| 2.700 | 68.58 | 27 | 5-641215-7 |
| 2.600 | 66.04 | 26 | 5-641215-6 |
| 2.500 | 63.50 | 25 | 5-641215-5 |
| 2.400 | 60.96 | 24 | 5-641215-4 |
| 2.300 | 58.42 | 23 | 5-641215-3 |
| 2.200 | 55.88 | 22 | 5-641215-2 |
| 2.100 | 53.34 | 21 | 5-641215-1 |
| 2.000 | 50.80 | 20 | 5-641215-0 |
| 1.900 | 48.26 | 19 | 4-641215-9 |
| 1.800 | 45.72 | 18 | 4-641215-8 |
| 1.700 | 43.18 | 17 | 4-641215-7 |
| 1.600 | 40.64 | 16 | 4-641215-6 |
| 1.500 | 38.10 | 15 | 4-641215-5 |
| 1.400 | 35.56 | 14 | 4-641215-4 |
| 1.300 | 33.02 | 13 | 4-641215-3 |
| 1.200 | 30.48 | 12 | 4-641215-2 |
| 1.100 | 27.94 | 11 | 4-641215-1 |
| 1.000 | 25.40 | 10 | 4-641215-0 |
| .900 | 22.86 | 9 | 3-641215-9 |
| .800 | 20.32 | 8 | 3-641215-8 |
| .700 | 17.78 | 7 | 3-641215-7 |
| .600 | 15.24 | 6 | 3-641215-6 |
| .500 | 12.70 | 5 | 3-641215-5 |
| .400 | 10.16 | 4 | 3-641215-4 |
| .300 | 7.62 | 3 | 3-641215-3 |
| .200 | 5.08 | 2 | 3-641215-2 |
| IN | MM | NO OF POSITIONS | PART NUMBER |
| L | | | |

| | | | |
|-------|-------|-----------------|-------------|
| 2.800 | 71.12 | 28 | 2-641215-8 |
| 2.700 | 68.58 | 27 | 2-641215-7 |
| 2.600 | 66.04 | 26 | 2-641215-6 |
| 2.500 | 63.50 | 25 | 2-641215-5 |
| 2.400 | 60.96 | 24 | 2-641215-4 |
| 2.300 | 58.42 | 23 | 2-641215-3 |
| 2.200 | 55.88 | 22 | 2-641215-2 |
| 2.100 | 53.34 | 21 | 2-641215-1 |
| 2.000 | 50.80 | 20 | 2-641215-0 |
| 1.900 | 48.26 | 19 | 1-641215-9 |
| 1.800 | 45.72 | 18 | 1-641215-8 |
| 1.700 | 43.18 | 17 | 1-641215-7 |
| 1.600 | 40.64 | 16 | 1-641215-6 |
| 1.500 | 38.10 | 15 | 1-641215-5 |
| 1.400 | 35.56 | 14 | 1-641215-4 |
| 1.300 | 33.02 | 13 | 1-641215-3 |
| 1.200 | 30.48 | 12 | 1-641215-2 |
| 1.100 | 27.94 | 11 | 1-641215-1 |
| 1.000 | 25.40 | 10 | 1-641215-0 |
| .900 | 22.86 | 9 | 641215-9 |
| .800 | 20.32 | 8 | 641215-8 |
| .700 | 17.78 | 7 | 641215-7 |
| .600 | 15.24 | 6 | 641215-6 |
| .500 | 12.70 | 5 | 641215-5 |
| .400 | 10.16 | 4 | 641215-4 |
| .300 | 7.62 | 3 | 641215-3 |
| .200 | 5.08 | 2 | 641215-2 |
| IN | MM | NO OF POSITIONS | PART NUMBER |
| L | | | |

| | | | |
|---------|---------|-------|--------|
| .040 | 1.02 | | |
| .035 | 0.89 | | |
| .032 | 0.81 | | |
| .025 | 0.64 | 1.000 | 125.40 |
| .020 | 0.51 | .535 | 13.59 |
| .015 | 0.38 | .310 | 7.87 |
| .010 | 0.25 | .295 | 7.49 |
| .008 | 0.20 | .260 | 6.60 |
| .005 | 0.13 | .225 | 5.72 |
| .001 | 0.03 | .140 | 3.56 |
| .000350 | 0.00889 | .130 | 3.30 |
| .000150 | 0.00381 | .125 | 3.18 |
| .000050 | 0.00127 | 1.100 | 2.54 |
| .000030 | 0.00076 | .063 | 1.60 |
| .000 | 0.00 | .050 | 1.27 |
| IN | MM | IN | MM |

CONVERSION TABLE



RECOMMENDED MOUNTING HOLE PATTERN FOR .063 THICK P.C. BOARD

THIS DRAWING IS A CONTROLLED DOCUMENT.

| | | | | |
|--------------------|--|---------------------------|---------------------------|--|
| DIMENSIONS: INCHES | TOLERANCES UNLESS OTHERWISE SPECIFIED: | DIN K. WHITAKER 11JUN2004 | APPROVED D. BOSSI 11JUN04 | NAME |
| 0.125 | 0.005 | 0.005 | 0.005 | MTA-100 HDR ASSY, FRICTION LOCK, NOTCHED, .025 SQUARE STRAIGHT POST, .000030 GOLD PLATED |
| 0.005 | 0.0005 | 0.0005 | 0.0005 | APPLICATION SPEC |
| 0.0005 | 0.00005 | 0.00005 | 0.00005 | SIZE |
| 0.00005 | 0.000005 | 0.000005 | 0.000005 | WEIGHT |
| 0.000005 | 0.0000005 | 0.0000005 | 0.0000005 | CUSTOMER DRAWING |

SCALE: 8:1 SHEET 1 OF 1 REV: Z4

Mouser Electronics

Authorized Distributor

Click to View Pricing, Inventory, Delivery & Lifecycle Information:

[TE Connectivity:](#)

[3-641215-5](#)