



4303F Series Solid State LED Lamp-Super Brite T-1 (3mm)

Applications

- advertising
- appliances
- automotive
- aviation
- boating and recreation
- display cases
- electrical control panels
- exterior signs and architectural lighting
- general illumination
- “high-tech” applications
- home and landscape
- indoor and outdoor illumination
- signs, signals and displays
- traffic signals

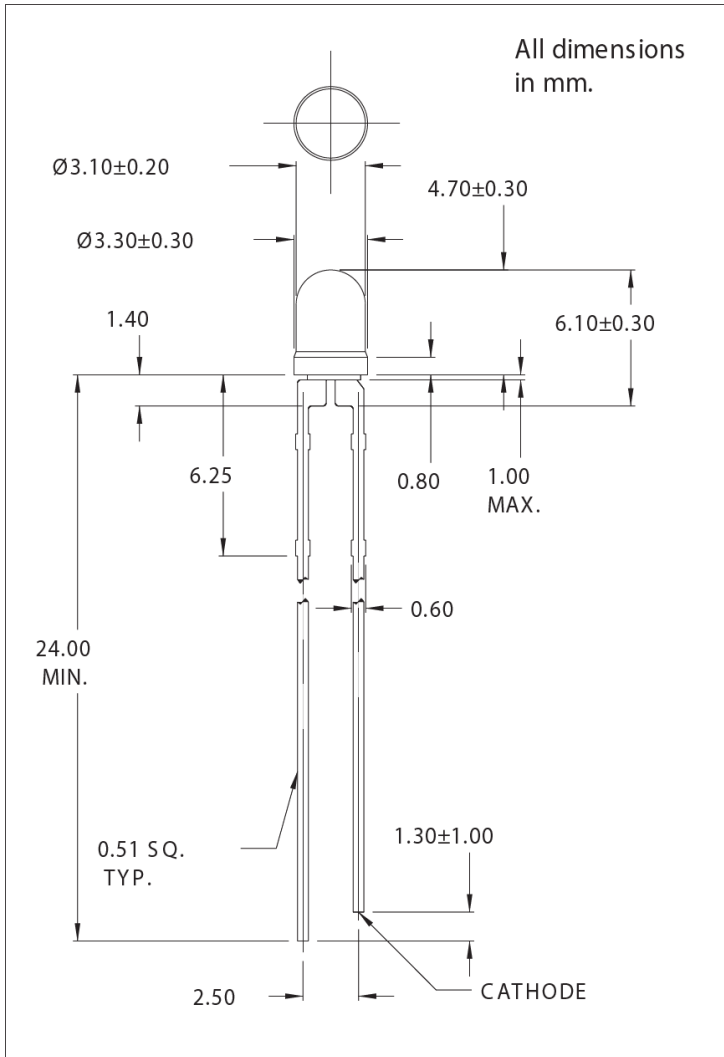
Key features

- diffused lens
- high intensity light output
- low power dissipation
- solid state LED lamp, Super Brite T-1 package

Product specifications and ordering data

Part Number	4303F1	4303F5	4303F7
Output Color	Red	Green	Yellow
Diffusion	Diffused	Diffused	Diffused
Package Color	Red	Green	Yellow
Test Current (mA)	10	10	10
Forward Voltage Typ. (V)	2.0	2.1	2.1
Forward Voltage Max (V)	3.0	3.0	3.0
Luminous Intensity Min. (mcd)	5.6	9.0	3.6
Luminous Intensity Typ. (mcd)	16.0	25.0	10.0
Peak Wavelength (nm)	650	563	585
Viewing Angle 20 ½ (degrees)	55	55	55
Power Dissipation (mW)	60	75	60
Peak Forward Current @1ms - 20% Duty Cycle (mA)	60	60	60
Reverse Voltage (IR=100µA (V)	3	3	3

Dimensions



Mouser Electronics

Authorized Distributor

Click to View Pricing, Inventory, Delivery & Lifecycle Information:

VCC:

[4303F25](#) [4303F27](#) [4303F21](#)