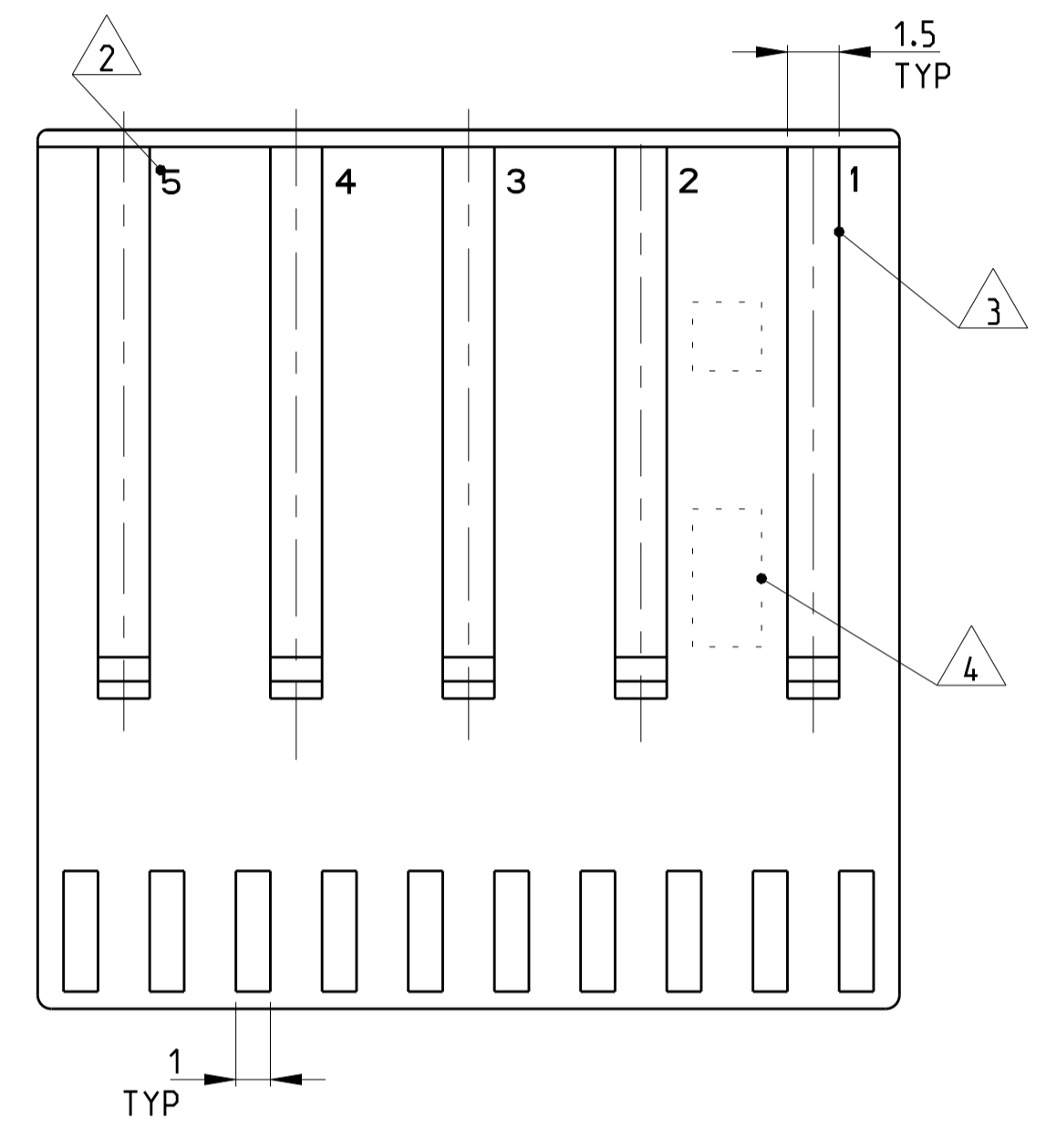
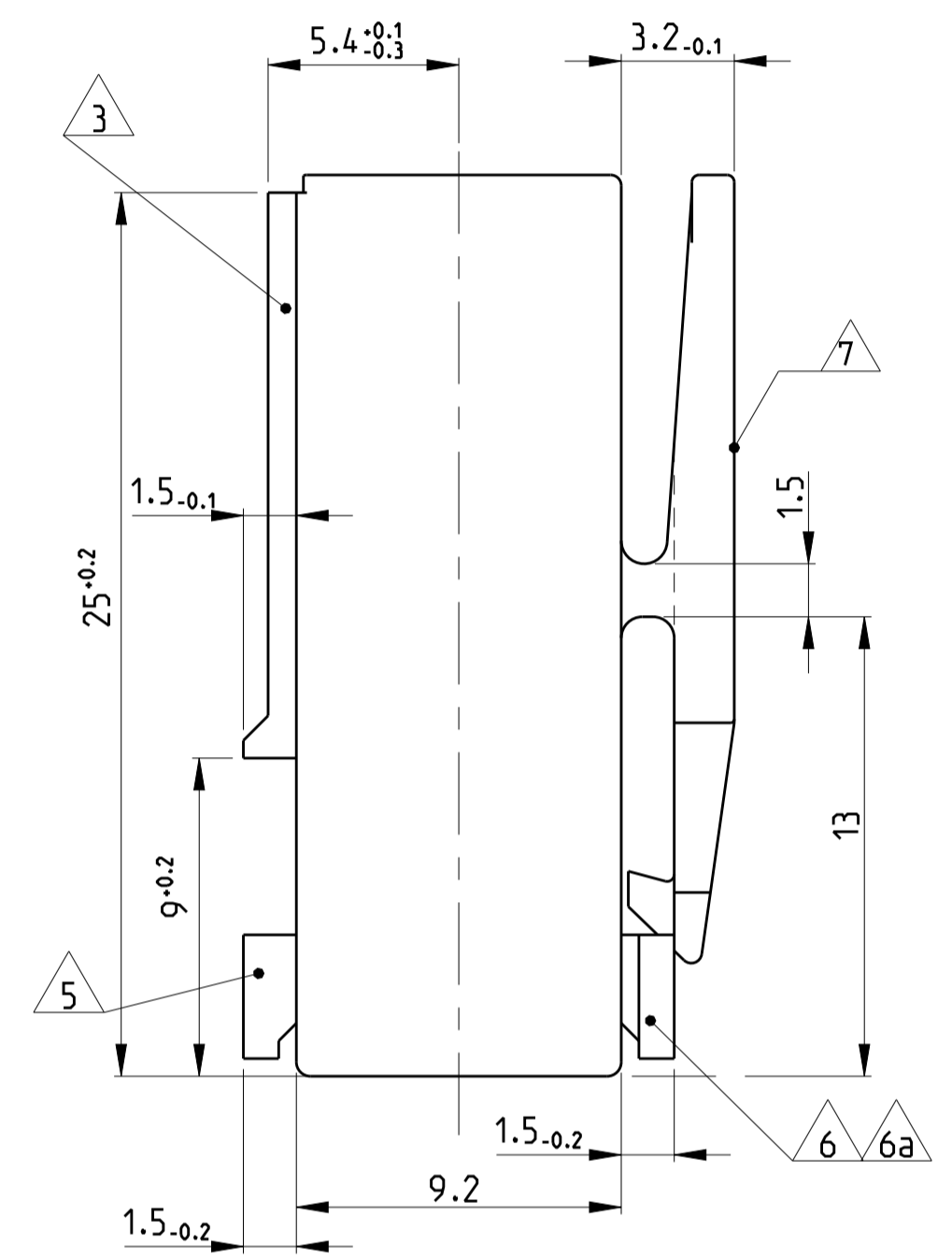
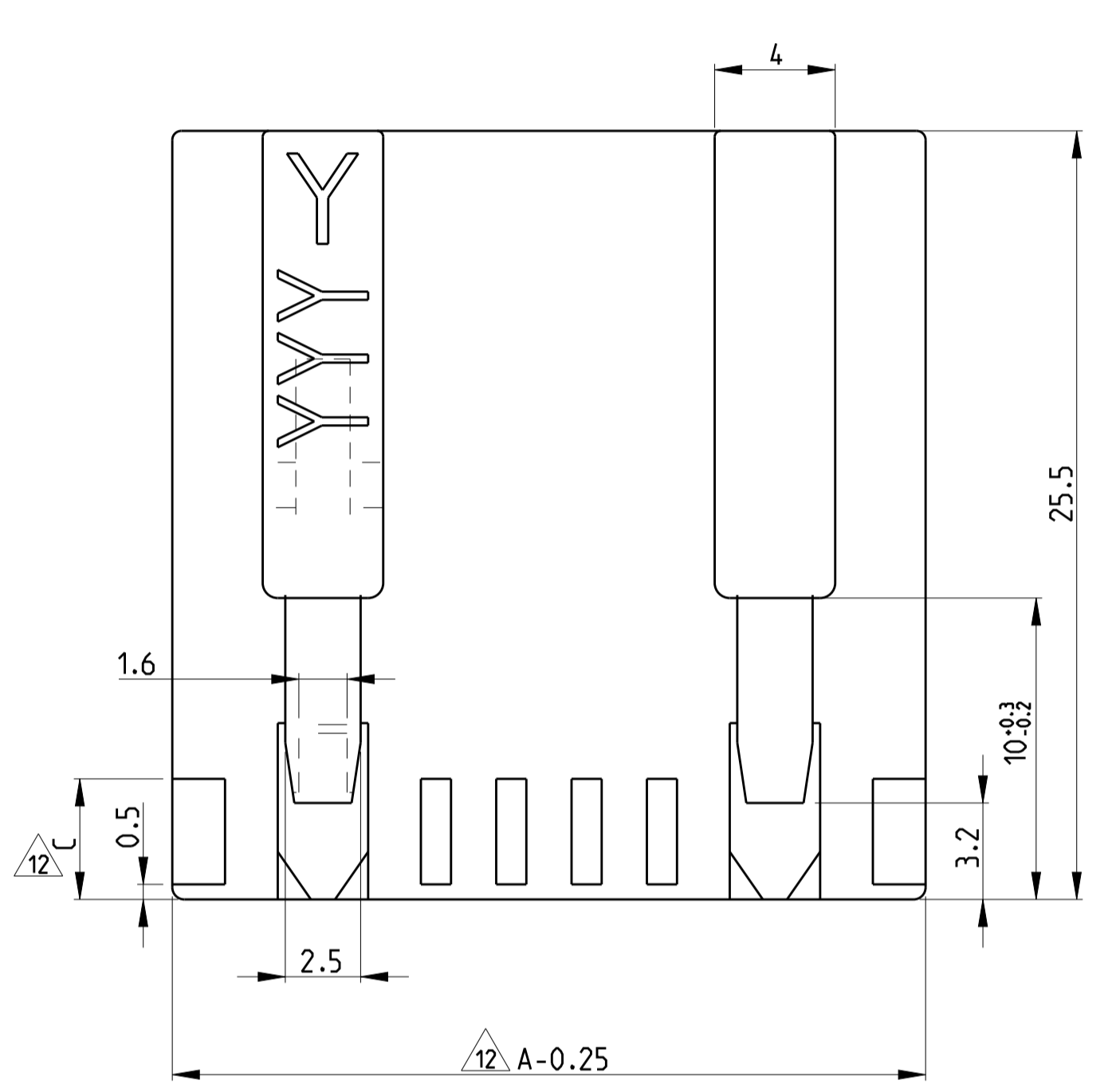
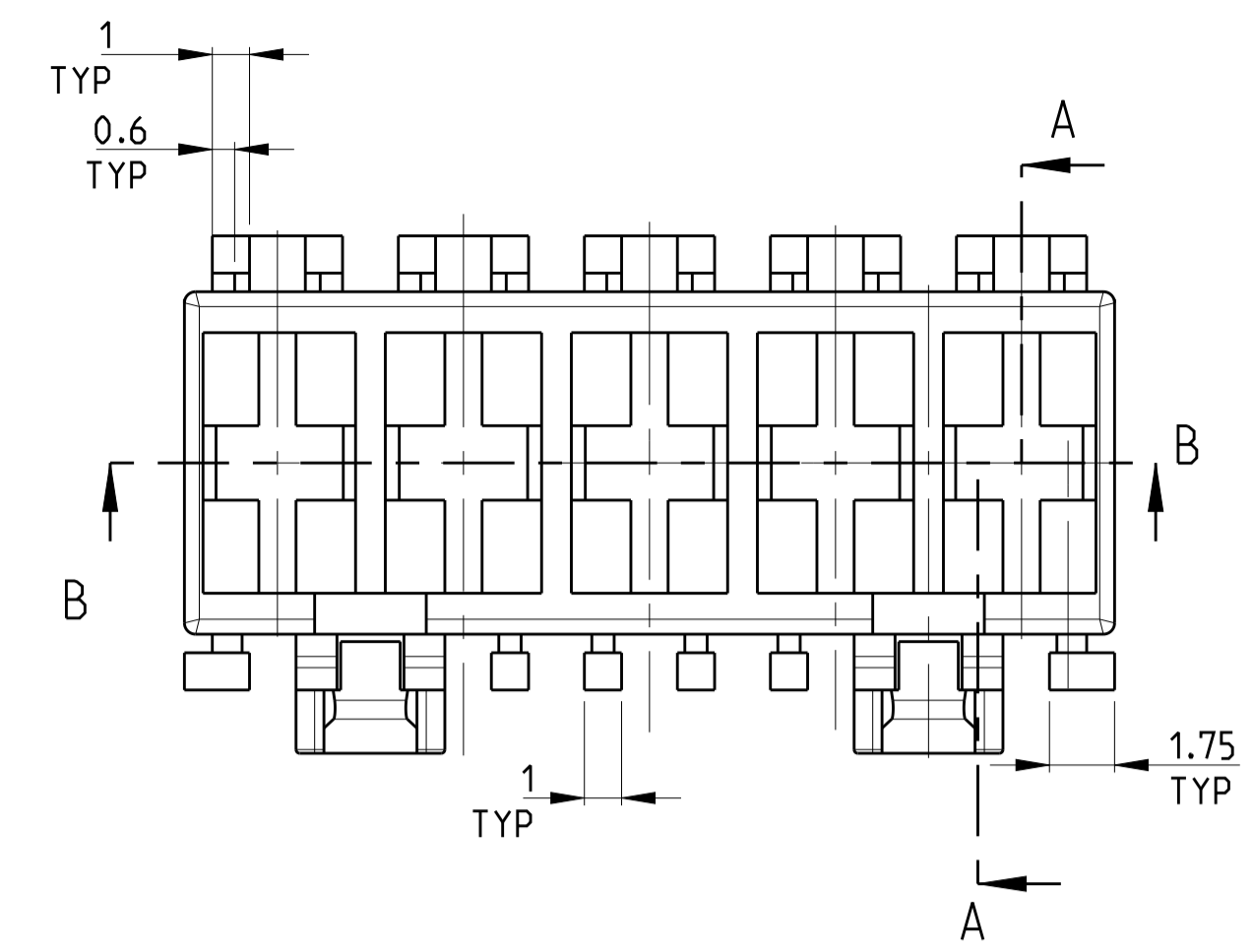
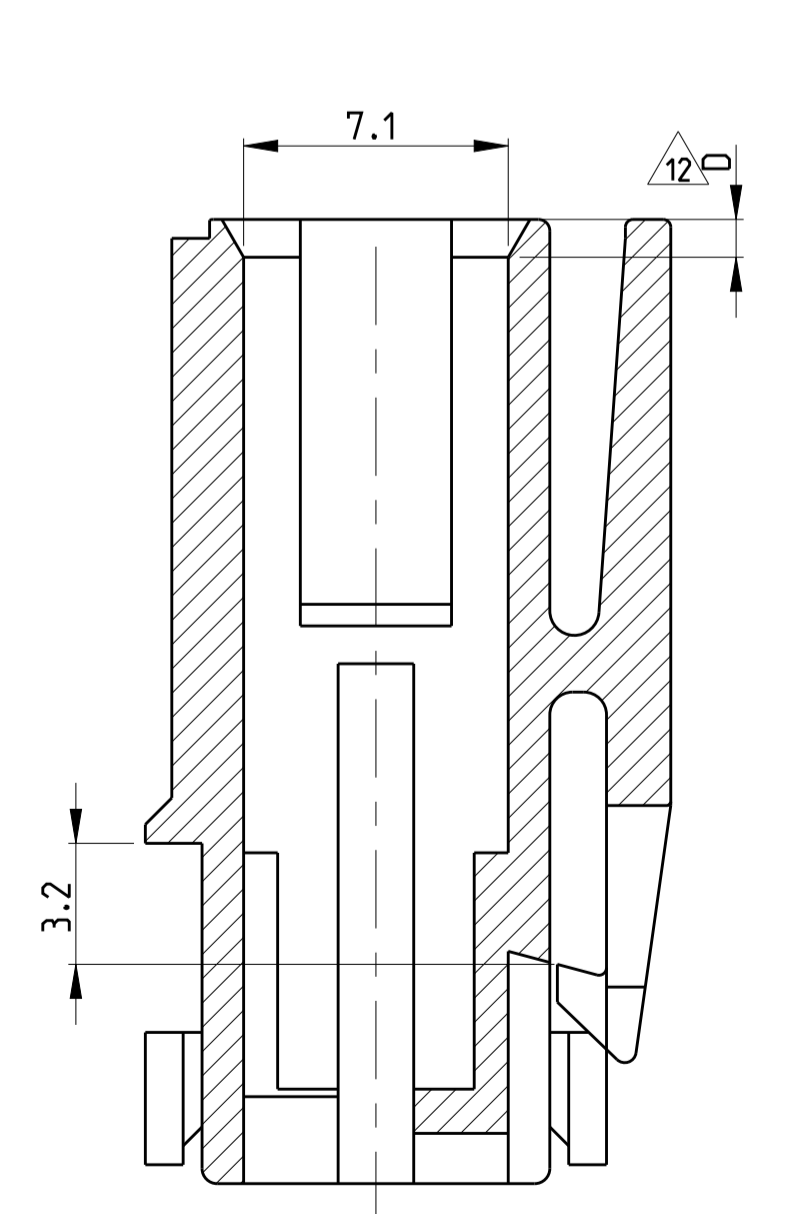


LOC	DIST	REV	DATE	APPV
A1	-			

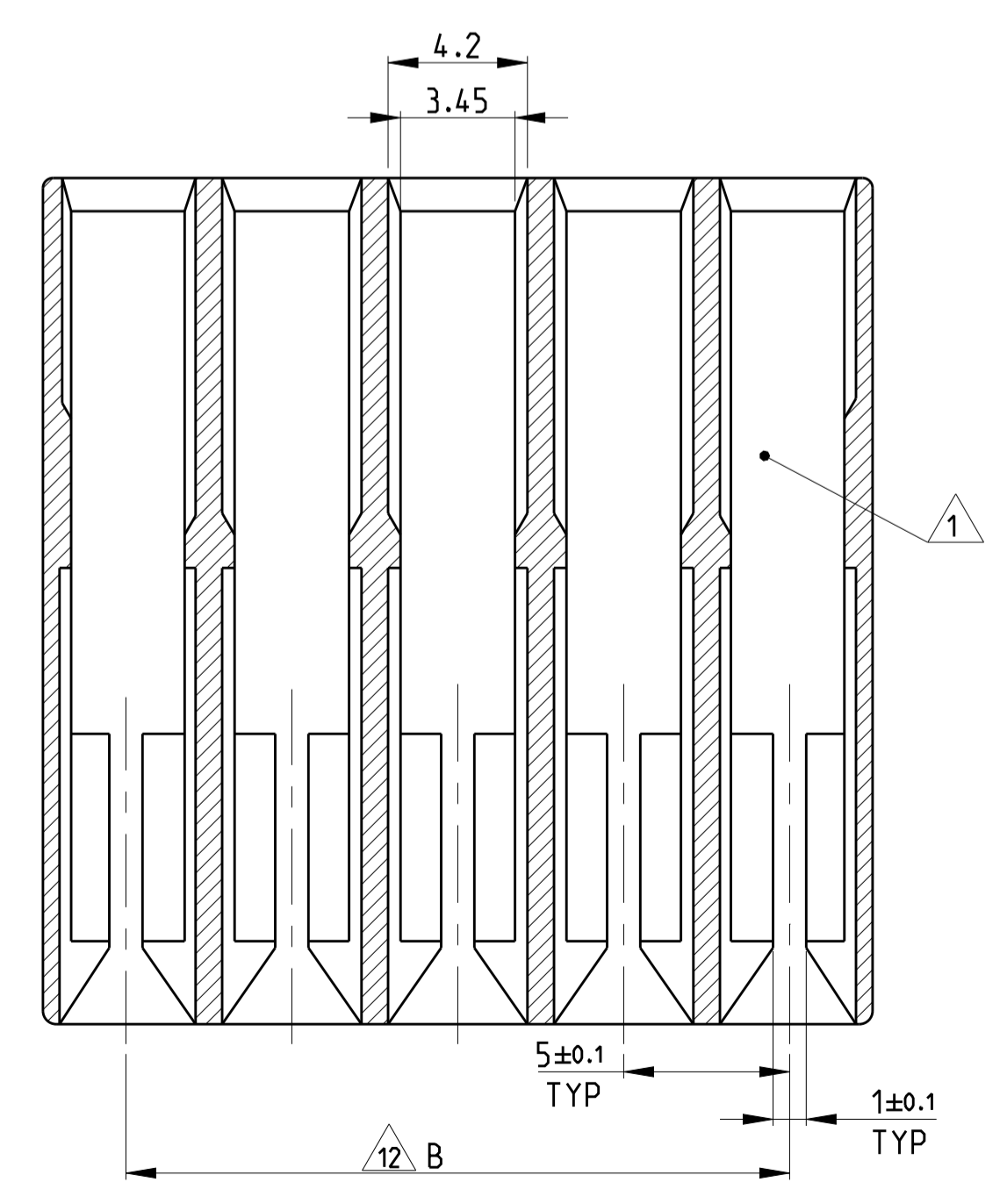
REVISIONS				
REV	DATE	APPV	DESCRIPTION	DATE
C35	26 JUL 2017	LZ	RR	
C36	06 DEC 2017	LZ	RR	
C37	14 DEC 2017	KD	RR	
C38	05 JAN 2018	KD	RR	



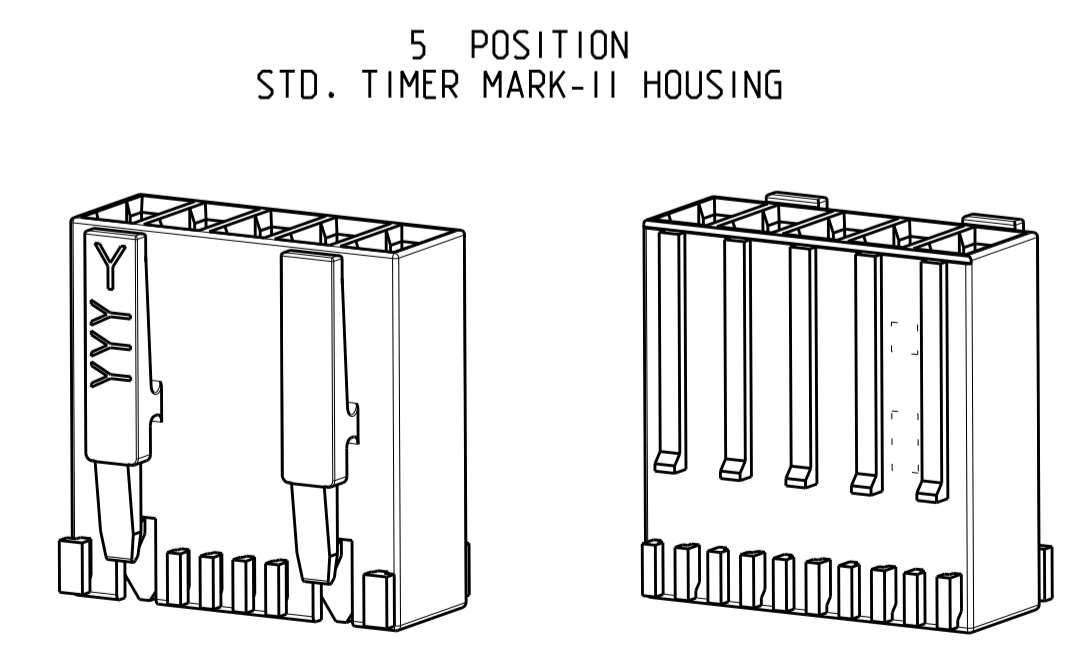
- REMARKS/Bemerkungen**
- 1 CAVITY SUITABLE FOR STANDARD TIMER CONTACTS LISTED IN PROD. SPEC. 108-18049, ITEM 3.3.2
Kammer geeignet für Standard Timer Kontakte gelistet in Prod. Spec. 108-18049, Punkt 3.3.2
 - 2 CONTACT CAVITY NO.
Kontaktkammernummerierung
 - 3 MATING STOP
Tiefenanschlag
 - 4 AREA FOR TE LOGO ACC: TO SPEC 202-36
Bereich für TE Logo nach Spec. 202-36
 - 5 POLARIZATION RIB POSITION "a" AND/OR "b"
Polarisierungsrippe Position "a" und/oder "b"
 - 6 KEYING RIB POSITION "c" AND/OR "d"
Kodierrippe Position "c" und/oder "d"
 - 6a KEYING RIB POSITION "c" AND/OR "d" AT THE END WALLS OF THE HOUSING
Kodierrippe Position "c" und/oder "d" an den Gehäusestirnseiten
 - 7 LOCKING LATCH
Rasthaken
 - 8 TE PART NO (PN)
TE Bestell Nr. (PN)
 - 9 DESIGN OF THE HOUSINGS ACC. TO RAST 5 STANDARD
Gehäuseausführung gemäss RAST 5 Vorgabe
 - 10 GENERAL SUITABLE TAB HEADER SEE RAST 5 PERFORMANCE
Generell passende Flachsteckerwannen siehe RAST 5 Vorgabe
 - 11 PACKAGING: BULK PACKAGING IN CORRUGATED BOX PN 740580-2
2 POS. 2500 PIECES PER BOX / 3 POS. 2000 PIECES PER BOX
Verpackung: Schüttgut in Versandkarton Pn 740580-2
2pol. 2500 Stück per Karton / 3pol. 2000 Stück per Karton
 - 12 DIMENSION A, B C AND D SEE SHEET 2 OF 3
 - 13 MATERIAL CORRESPONDS TO THE REQUIREMENT EN 60335
(INCL. GLOW WIRE TEST 750° WITHOUT FLAME)
Material entspricht den Anforderungen der EN 60335
(inkl. Glühdrahttest 750° ohne Flamme)
 - 14 RATIO NUMBER OF THE KEYING VERSION, INKJET PRINTED. SEE SHEET 2
Kodierungskennnummer, mit Tintenstrahldrucker aufgebracht, siehe Blatt 2
 - 15 PRELIMINARY- NOT RELEASED FOR PRODUCTION



SECTION A-A / Schnitt A-A



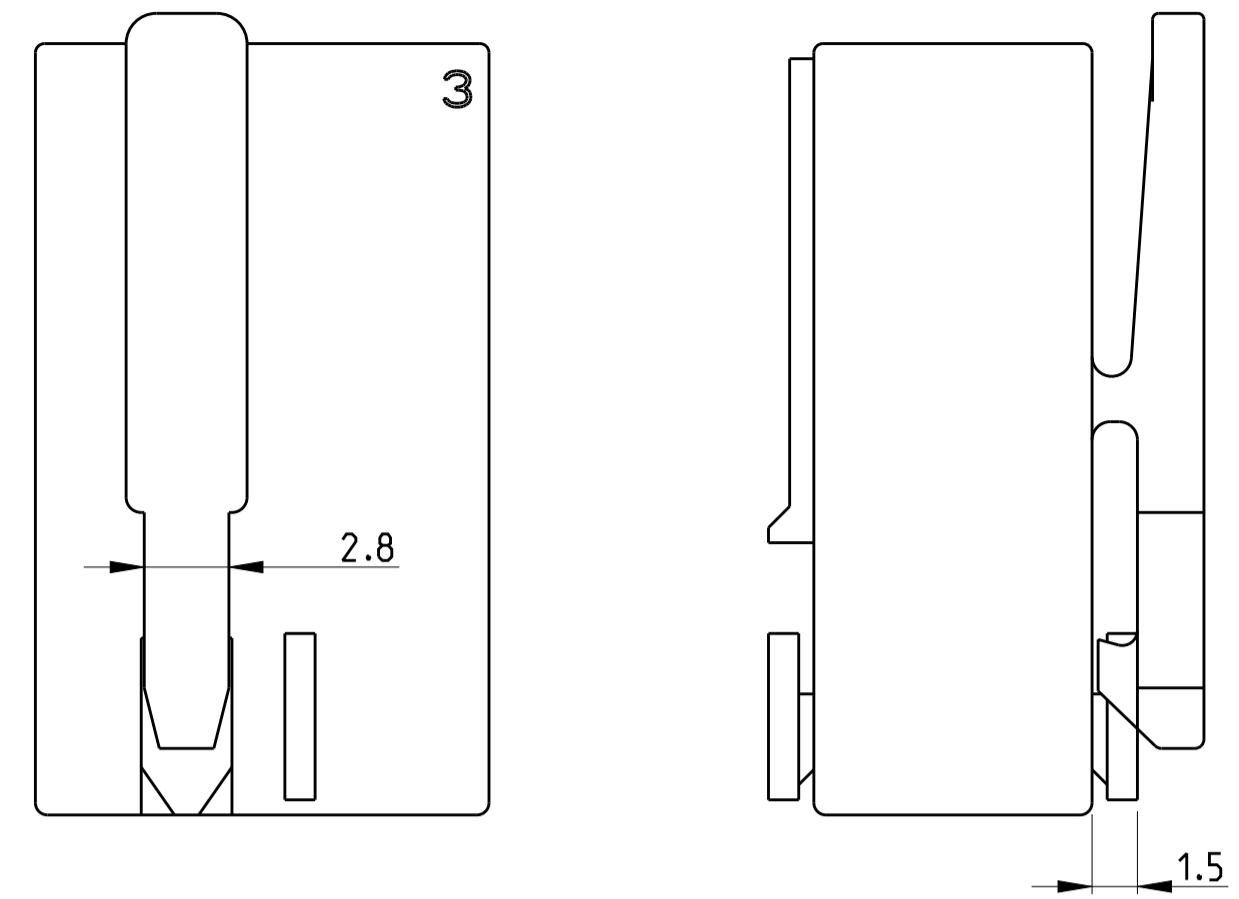
SECTION B-B / Schnitt B-B



SCALE 2:1

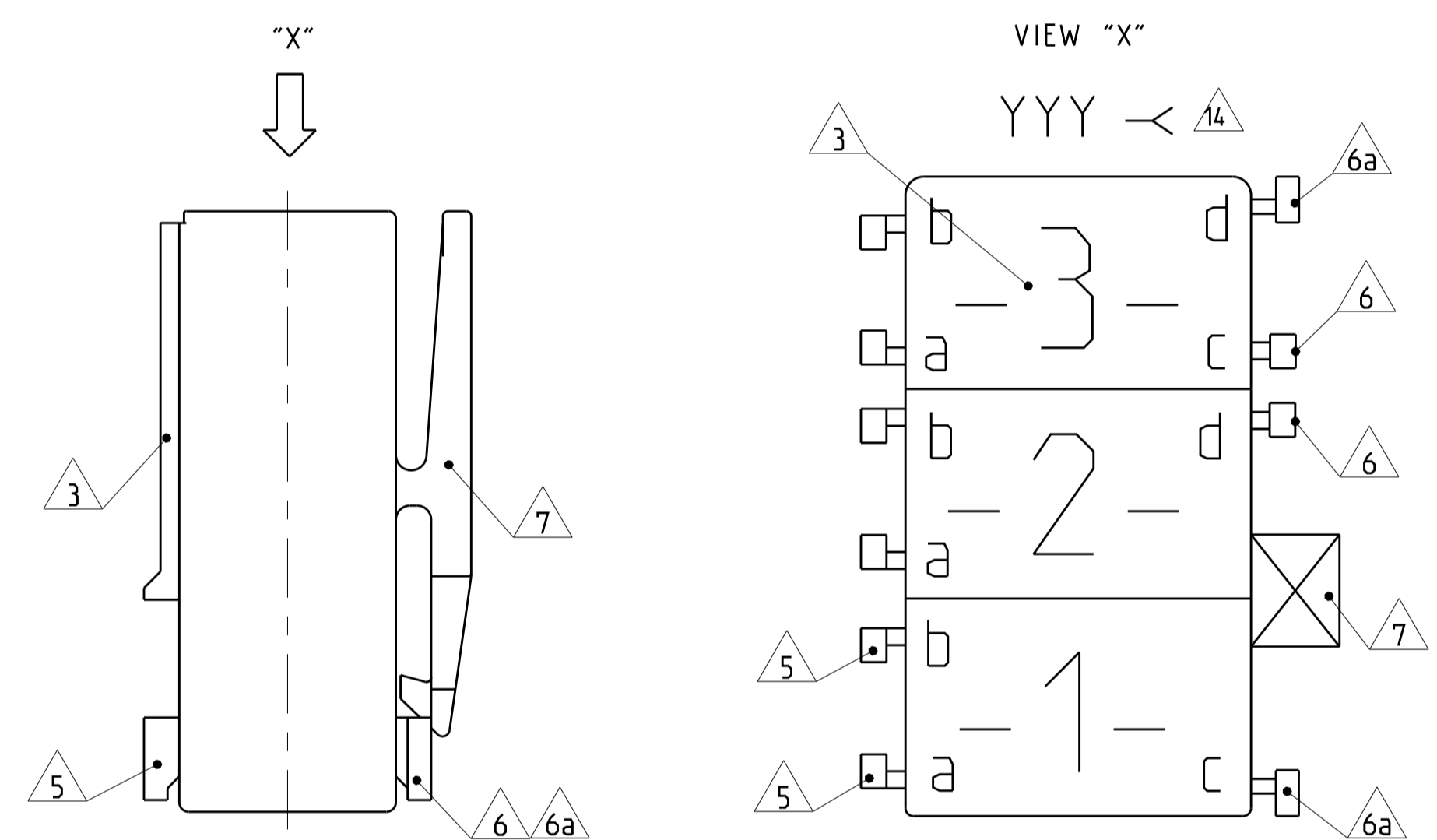
THIS DRAWING IS A CONTROLLED DOCUMENT.		DWG: Kishor M 18-10-07	
DIMENSIONS: mm		CHK: K. Munz 18-10-07	
TOLERANCES UNLESS OTHERWISE SPECIFIED:		APPV: Tm Klenner 18-10-07	NAME: STANDARD TIMER HSG. RAST 5 MARK II
0 PLC ±0.2	1 PLC ±0.2	PRODUCT SPEC 108-18049	Standard Timer Gehäuse RAST 5 Mark II
2 PLC ±0.2	3 PLC ±0.2	APPLICATION SPEC	SIZE: CAGE CODE: DRAWING NO: RESTRICTED TO
4 PLC ±0.2	5 PLC ±0.2	WEIGHT: -	A1 00779 C=1241961
6 PLC ±0.2	7 PLC ±0.2	Customer Drawing	SCALE: 5:1 SHEET 1 OF 3 REV: C38

ONLY 5-1241961-7, 1-1241961-9, 7-1241961-7



ALL OTHER DIMENSIONS SEE SHEET 1 OF 3

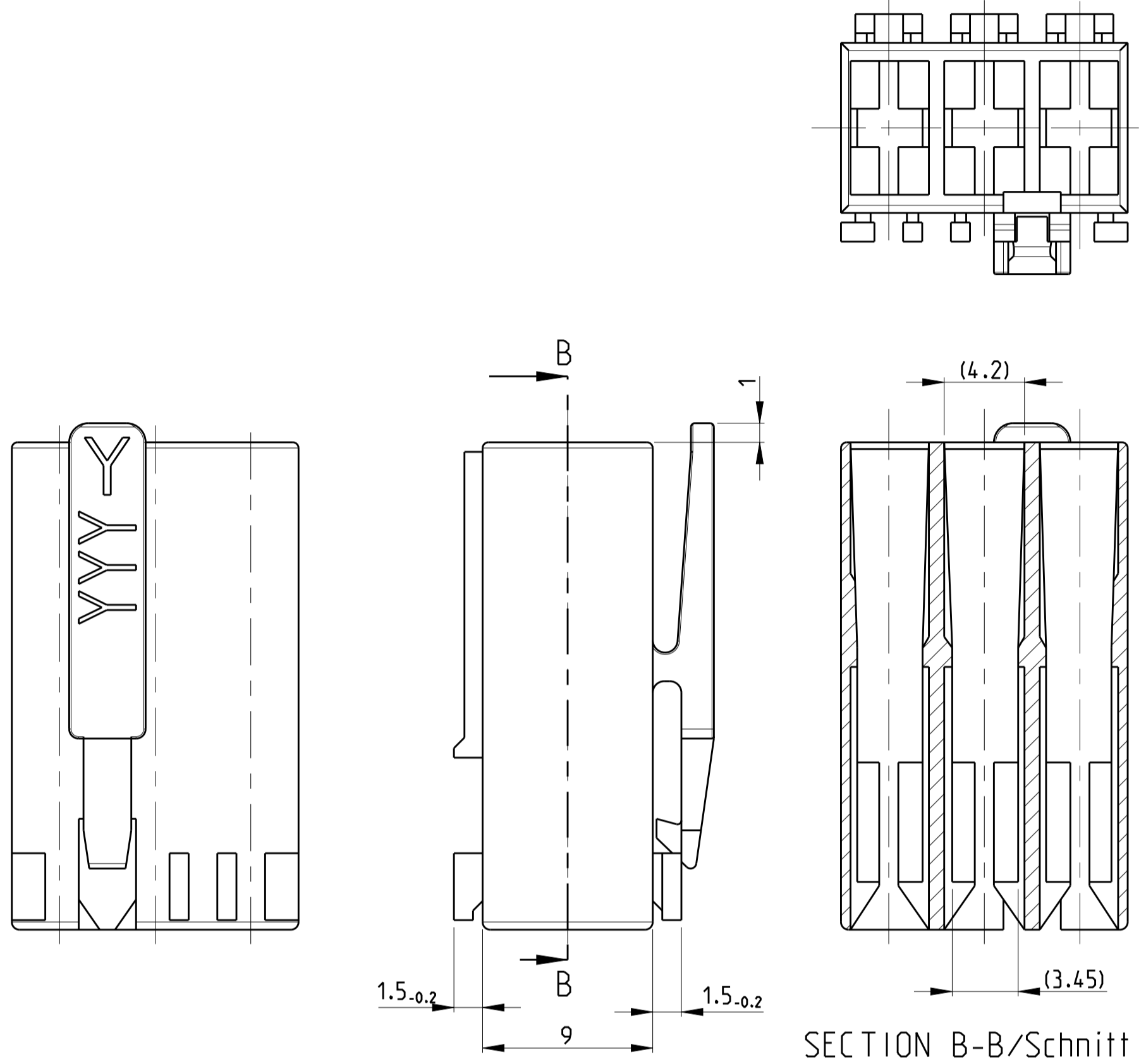
KEY LAYOUT DESCRIPTION



X-XXXXXX-X

PAY ATTENTION !
DIFFERENT CAVITY GEOMETRY AND LOCKING LATCHE OVERHANG
Bitte beachten !
Unterschiedliche Kammergeometrie und Rasthakenuberstand.

FOR 2 POS. AND 3 POS.



ALL OTHER DIMENSIONS SEE SHEET 1 OF 3
Alle anderen Masse siehe Seite 1 von 3

SPECIAL VERSION: UL94 VO & GWT 750 NF & CTI 350									
5-1241961-7	3			15	10	PA66	NATURAL	A	
1-1241961-9	3	6	1	15	10		NATURAL	A	
7-1241961-7	3			15	10		NATURAL	A	

SPECIAL VERSION: UL94 VO & GWT 750 NF									
2322164-1	4	4	0.5	20	15	PA66	NATURAL	1	

SPECIAL VERSION: UL94 V2 & GWT 750 NF									
6-2178575-7	3	4	0.5	15	10	PA6 GF15	NATURAL	A	

SPECIAL VERSION: UL94 VO & GWT 750 NF									
3-2178412-7	3			15	10	PA66	NATURAL	1	
4-2178412-7	3	6	1	15	10		NATURAL	1	
8-2178412-2	2			10	5		NATURAL	1	

UL94 VO & GWT 750 NF									
2322917-4	4	4	0.5	20	15	PA66	NATURAL	1	
2322917-2	2			10	5		NATURAL	1	
2315717-1	2			10	5		NATURAL	C	
2315717-2	2			10	5		NATURAL	C	
2315717-3	2			10	5		NATURAL	1	
2315717-4	4	4	0.5	20	15		NATURAL	C	
2315717-5	4			20	15		NATURAL	C	
2315717-6	3			15	10	NATURAL	C		
2315717-7	3			15	10	NATURAL	C		

SPECIAL MATERIAL									
1955507-4	4			20	15	PA66	NATURAL	1	
9-1955506-2	2	6	1	10	5	UL 94 VO	NATURAL	1	

PART NO	POS	DIM C	DIM D	DIM A	DIM B	MATERIAL	COLOUR	REV./Rev.	REV
6-1241961-7	3			15	10	PA 6 UL94V-2	NATURAL	1	
4-1241961-7	3			15	10	PA 6 UL94V-2	NATURAL	A	
3-1241961-7	3	4	0.5	15	10	PA 6 UL94V-2	NATURAL	A	
1-1955422-7	3			15	10	PA 66 UNFILLED UL94 VO	NATURAL	A	
5-1955422-7	3			15	10	PA 66 UNFILLED UL94 VO	NATURAL	A	
4-1955422-3	2	6	1	10	5	PA 66 UNFILLED UL94 VO	NATURAL	A	
2-1241817-3	3	4 or 6	0.5 or 1	15	10	PA 66 UL94 V-2	Green	E	
0-1955422-6	3			15	10	PA 66 UNFILLED UL94 VO	NATURAL	A	
8-1241961-8	3			15	10			C	
0-1241961-8	3			15	10	PA 6 UL94V-2	natural	A	
8-1241961-3	2	4	0.5	10	5			C	
3-1241961-1	2			10	5	PA 6 UL94V-2	NATURAL	C	
0-1955422-1	2			10	5	PA 66 UNFILLED UL94 VO	NATURAL	A	

LOC	DIST	P	LTR	REVISIONS	DATE	DWN	APVD
				SEE SHEET-01			

PART NO	POS.	DIM C	DIM D	DIM A	DIM B	MATERIAL	COLOUR	REV
0-1241959-5	5			25	20	PA 6 UL94V-2	Natural/natur	B
4-1241959-4	4	4	0.5	20	15		A	
2-1241959-4	4			20	15		B	
2-1241817-5	5	6	1	25	20	PA 6.6 UL94V-2	Natural/natur	C
0-1241817-5	4	0.5		25	20		Black/schwarz	
3-1241817-4	4			20	15		Violet/violett	
2-1241817-4	4	6	1	20	15		Grey/grau	
0-1241817-4	4	4	0.5	20	15	Natural/natur		
2-1241983-2				10	5	PA 6 UL94V-2	Green/grün	C
1-1241983-2				10	5		Violet/violett	
0-1241983-2	2	4	0.5	10	5		TARGET RAL 4001	
8-1241983-2				10	5		Yellow/gelb	
5-1241983-3				10	5		Black/schwarz	
6-1241983-2				10	5		Blue/blau	
9-1241961-7		4	0.5	15	10	PA 6 UL94V-2	Natural/natur	C
9-1241961-8		4	0.5	15	10			
6-1241961-8		4	0.5	15	10			
5-1241961-8		4 or 6	0.5 or 1	15	10			
4-1241961-8		4	0.5	15	10			
7-1241961-8		4	0.5	15	10			
1-1241961-8	3	4 or 6	0.5 or 1	15	10			
3-1241961-8		6	1	15	10			
2-1241961-8				15	10			
2-1241961-7				15	10			
1-1241961-7		4	0.5	15	10			
9-1241961-9				15	10			
0-1241961-6				15	10			
2-1241961-2				10	5			
5-1241961-2				10	5			
4-1241961-3				10	5			
7-1241961-2				10	5			
7-1241961-3				10	5			
6-1241961-3				10	5			
3-1241961-2	2	4	0.5	10	5			
5-1241961-3				10	5			
6-1241961-2				10	5			
0-1241961-3				10	5			
8-1241961-2				10	5			
9-1241961-2				10	5			
0-1241961-1				10	5			
9-969484-9	3	6	1	15	10	PA 6.6 UL94V-2	Yellow/gelb	H
2-969484-8				15	10			
0-969484-8		4 or 6	0.5 or 1	15	10			
8-969484-7		4	0.5	15	10			
7-969484-7				15	10			
6-969484-7				15	10			
5-969484-7		4	0.5	15	10			
4-969484-7				15	10			
3-969484-7		4	0.5	15	10			
2-969484-7		4	0.5	15	10			
1-969484-7	3	4	0.5	15	10			
0-969484-7				15	10			
9-969484-6				15	10			
8-969484-6		6	1	15	10			
7-969484-6				15	10			
6-969484-6				15	10			
5-969484-6				15	10			
4-969484-6				15	10			
3-969484-6				15	10			
2-969484-6		6	1	15	10			
1-969484-6				15	10			
0-969484-6				15	10			
7-969484-3				10	5	PA 6.6 UL94V-2	Natural/natur	H
6-969484-3				10	5			
5-969484-3				10	5			
4-969484-3				10	5			
3-969484-3				10	5			
2-969484-3				10	5			
1-969484-3				10	5			
0-969484-3				10	5			
9-969484-2				10	5			
8-969484-2				10	5			
7-969484-2				10	5			
6-969484-2				10	5			
5-969484-2				10	5			
4-969484-2				10	5			
3-969484-2				10	5			
2-969484-2				10	5			
1-969484-2				10	5			
0-969484-2				10	5			
9-969484-1				10	5			
8-969484-1				10	5			
7-969484-1				10	5			
6-969484-1				10	5			
5-969484-1				10	5			
4-969484-1				10	5			
3-969484-1				10	5			
2-969484-1		4	0.5	10	5			
1-969484-1				10	5			
0-969484-1				10	5			

THIS DRAWING IS A CONTROLLED DOCUMENT. DWG: Kishor M 18-10-07
CHK: K. Murzi 18-10-07
APVD: T.K. Klenner 18-10-07

STE TE Connectivity

STANDARD TIMER HSG. RAST 5 MARK II
Standard Timer Gehäuse RAST 5 Mark II

SIZE: A1 CAGE CODE: 00779 DRAWING NO: 108-18049
MATERIAL: SEE TABLE SHEET 2 OF 3 WEIGHT: - RESTRICTED TO: -
Customer Drawing SCALE: 5:1 SHEET 2 OF 3 REV: C38

Mouser Electronics

Authorized Distributor

Click to View Pricing, Inventory, Delivery & Lifecycle Information:

[TE Connectivity:](#)

[1241961-3](#)