

THIS DRAWING IS UNPUBLISHED. RELEASED FOR PUBLICATION 20
 © COPYRIGHT 20 BY - ALL RIGHTS RESERVED.

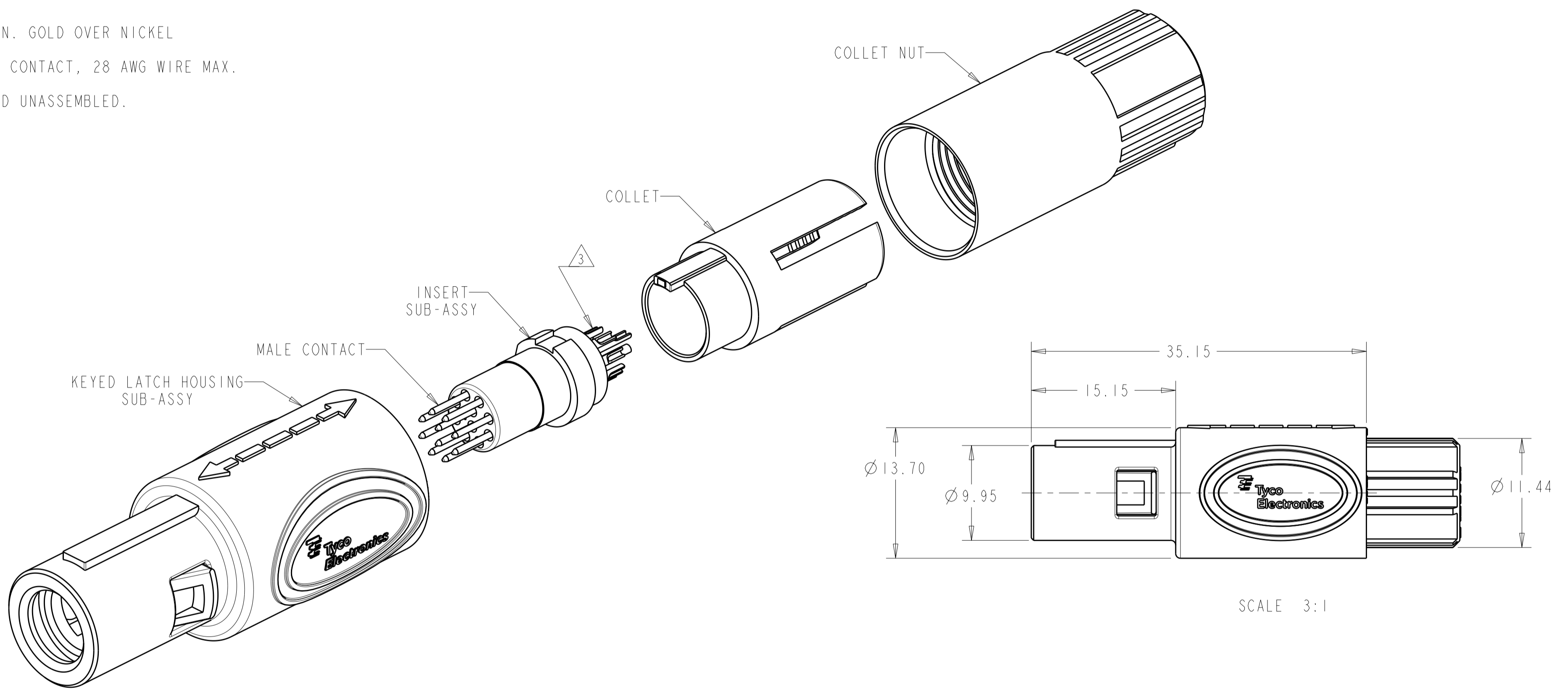
LOC		DIST		REVISIONS			
P	LTR	DESCRIPTION	DATE	DWN	APVD		
AD	00	B3	REVISD PER ECO-11-005027	12MAR2011	RK	HMR	

1 MATERIAL:
 CONTACT: BRASS
 LATCH HOUSING, INSERT, COLLET, COLLET NUT:
 UL 94V-0 RATED THERMOPLASTIC
 COLOR:
 COLLET AND INSERT: GRAY
 LATCH HOUSING AND NUT: SEE TABLE

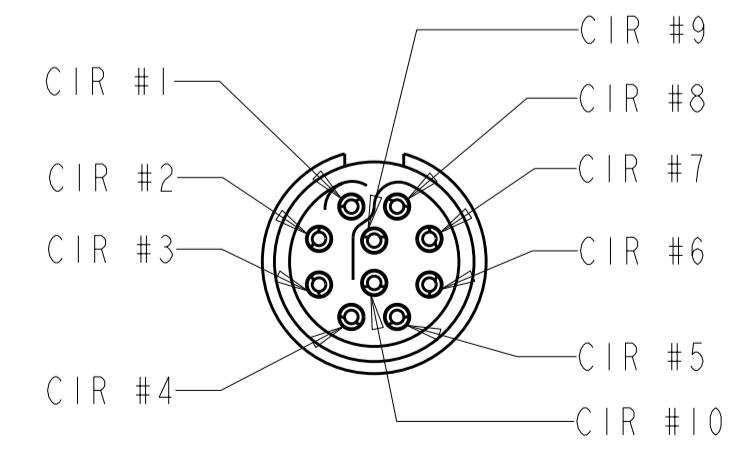
2 FINISH:
 CONTACT, 0.75µm MIN. GOLD OVER NICKEL

3 SOLDER TERMINATION CONTACT, 28 AWG WIRE MAX.

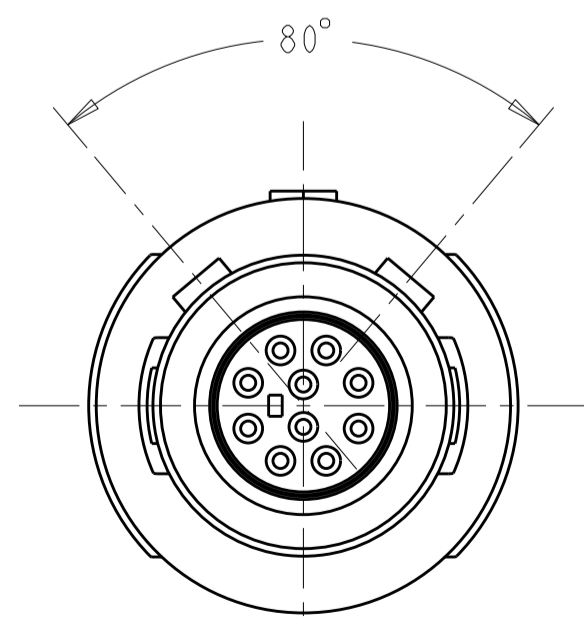
4. PRODUCT IS SUPPLIED UNASSEMBLED.



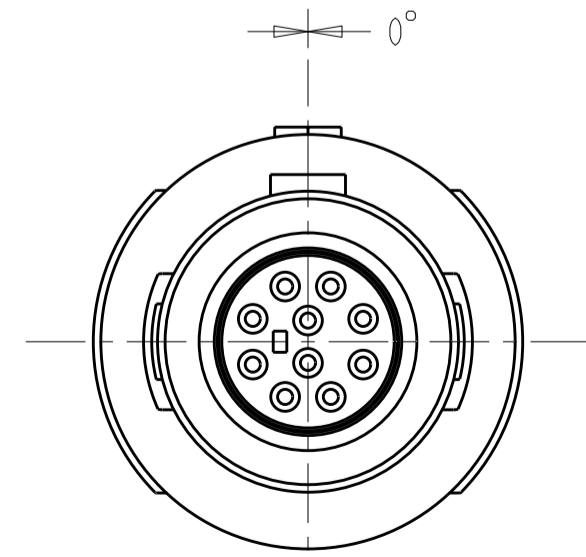
SCALE 3:1



INSERT SUB-ASSY
 CIRCUIT DESIGNATION VIEW



80° KEYING
 SCALE 4:1



0° KEYING
 SCALE 4:1

SEE SHEET 2 FOR
 PART NUMBER SELECTION

PART NO.

THIS DRAWING IS A CONTROLLED DOCUMENT.		DWN K. MILLER 09MAR2006	TE Connectivity	
		CHK L. BREKOSKY 09MAR2006		
DIMENSIONS: mm		TOLERANCES UNLESS OTHERWISE SPECIFIED:		NAME 10 POSITION, CABLE COLLET STRAIGHT PLUG ASSEMBLY 0 AND 80 DEGREE KEYING
 0 PLC ± 1 PLC ±0.13 2 PLC ±0.08 3 PLC ± 4 PLC ± ANGLES ±1° FINISH		PRODUCT SPEC 108-2249	APVD -	RESTRICTED TO -
MATERIAL 1		APPLICATION SPEC 114-13184	WEIGHT -	SIZE A2
		CUSTOMER DRAWING		CAGE CODE 00779
		DRAWING NO. 1877848		SCALE 4:1
		SHEET 1 OF 3		REV B3

THIS DRAWING IS UNPUBLISHED. RELEASED FOR PUBLICATION 20
 © COPYRIGHT 20 BY ALL RIGHTS RESERVED.


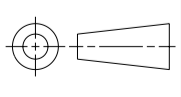
LOC	DIST	REVISIONS					
AD	00	P	LTR	DESCRIPTION	DATE	DWN	APVD
		-		SEE SHEET 1			

∅2.7-∅3.9	BLUE	GRAY	80°	7-1877848-2
∅4.0-∅5.2	BLUE	GRAY	80°	7-1877848-1
∅5.3-∅6.5	BLUE	GRAY	80°	7-1877848-0
∅2.7-∅3.9	BLUE	GRAY	0°	6-1877848-9
∅4.0-∅5.2	BLUE	GRAY	0°	6-1877848-8
∅5.3-∅6.5	BLUE	GRAY	0°	6-1877848-7
∅2.7-∅3.9	BLUE	BLACK	80°	6-1877848-6
∅4.0-∅5.2	BLUE	BLACK	80°	6-1877848-5
∅5.3-∅6.5	BLUE	BLACK	80°	6-1877848-4
∅2.7-∅3.9	BLUE	BLACK	0°	6-1877848-3
∅4.0-∅5.2	BLUE	BLACK	0°	6-1877848-2
∅5.3-∅6.5	BLUE	BLACK	0°	6-1877848-1
∅2.7-∅3.9	GREEN	GRAY	80°	6-1877848-0
∅4.0-∅5.2	GREEN	GRAY	80°	5-1877848-9
∅5.3-∅6.5	GREEN	GRAY	80°	5-1877848-8
∅2.7-∅3.9	GREEN	GRAY	0°	5-1877848-7
∅4.0-∅5.2	GREEN	GRAY	0°	5-1877848-6
∅5.3-∅6.5	GREEN	GRAY	0°	5-1877848-5
∅2.7-∅3.9	GREEN	BLACK	80°	5-1877848-4
∅4.0-∅5.2	GREEN	BLACK	80°	5-1877848-3
∅5.3-∅6.5	GREEN	BLACK	80°	5-1877848-2
∅2.7-∅3.9	GREEN	BLACK	0°	5-1877848-1
∅4.0-∅5.2	GREEN	BLACK	0°	5-1877848-0
∅5.3-∅6.5	GREEN	BLACK	0°	4-1877848-9
∅2.7-∅3.9	YELLOW	GRAY	80°	4-1877848-8
∅4.0-∅5.2	YELLOW	GRAY	80°	4-1877848-7
∅5.3-∅6.5	YELLOW	GRAY	80°	4-1877848-6
∅2.7-∅3.9	YELLOW	GRAY	0°	4-1877848-5
∅4.0-∅5.2	YELLOW	GRAY	0°	4-1877848-4
∅5.3-∅6.5	YELLOW	GRAY	0°	4-1877848-3
∅2.7-∅3.9	YELLOW	BLACK	80°	4-1877848-2
∅4.0-∅5.2	YELLOW	BLACK	80°	4-1877848-1
∅5.3-∅6.5	YELLOW	BLACK	80°	4-1877848-0
∅2.7-∅3.9	YELLOW	BLACK	0°	3-1877848-9
∅4.0-∅5.2	YELLOW	BLACK	0°	3-1877848-8
∅5.3-∅6.5	YELLOW	BLACK	0°	3-1877848-7
CABLE RANGE	COLLET NUT COLOR	LATCH HOUSING COLOR	KEYING	PART NO.

PART NUMBERS 37 THRU 72

∅2.7-∅3.9	WHITE	GRAY	80°	3-1877848-6
∅4.0-∅5.2	WHITE	GRAY	80°	3-1877848-5
∅5.3-∅6.5	WHITE	GRAY	80°	3-1877848-4
∅2.7-∅3.9	WHITE	GRAY	0°	3-1877848-3
∅4.0-∅5.2	WHITE	GRAY	0°	3-1877848-2
∅5.3-∅6.5	WHITE	GRAY	0°	3-1877848-1
∅2.7-∅3.9	WHITE	BLACK	80°	3-1877848-0
∅4.0-∅5.2	WHITE	BLACK	80°	2-1877848-9
∅5.3-∅6.5	WHITE	BLACK	80°	2-1877848-8
∅2.7-∅3.9	WHITE	BLACK	0°	2-1877848-7
∅4.0-∅5.2	WHITE	BLACK	0°	2-1877848-6
∅5.3-∅6.5	WHITE	BLACK	0°	2-1877848-5
∅2.7-∅3.9	RED	GRAY	80°	2-1877848-4
∅4.0-∅5.2	RED	GRAY	80°	2-1877848-3
∅5.3-∅6.5	RED	GRAY	80°	2-1877848-2
∅2.7-∅3.9	RED	GRAY	0°	2-1877848-1
∅4.0-∅5.2	RED	GRAY	0°	2-1877848-0
∅5.3-∅6.5	RED	GRAY	0°	1-1877848-9
∅2.7-∅3.9	RED	BLACK	80°	1-1877848-8
∅4.0-∅5.2	RED	BLACK	80°	1-1877848-7
∅5.3-∅6.5	RED	BLACK	80°	1-1877848-6
∅2.7-∅3.9	RED	BLACK	0°	1-1877848-5
∅4.0-∅5.2	RED	BLACK	0°	1-1877848-4
∅5.3-∅6.5	RED	BLACK	0°	1-1877848-3
∅2.7-∅3.9	GRAY	GRAY	80°	1-1877848-2
∅4.0-∅5.2	GRAY	GRAY	80°	1-1877848-1
∅5.3-∅6.5	GRAY	GRAY	80°	1-1877848-0
∅2.7-∅3.9	GRAY	GRAY	0°	1877848-9
∅4.0-∅5.2	GRAY	GRAY	0°	1877848-8
∅5.3-∅6.5	GRAY	GRAY	0°	1877848-7
∅2.7-∅3.9	BLACK	BLACK	80°	1877848-6
∅4.0-∅5.2	BLACK	BLACK	80°	1877848-5
∅5.3-∅6.5	BLACK	BLACK	80°	1877848-4
∅2.7-∅3.9	BLACK	BLACK	0°	1877848-3
∅4.0-∅5.2	BLACK	BLACK	0°	1877848-2
∅5.3-∅6.5	BLACK	BLACK	0°	1877848-1
CABLE RANGE	COLLET NUT COLOR	LATCH HOUSING COLOR	KEYING	PART NO.

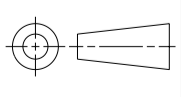
PART NUMBERS 1 THRU 36

THIS DRAWING IS A CONTROLLED DOCUMENT.		DWN K. MILLER 09MAR2006	 TE Connectivity		
		CHK L. BREKOSKY 09MAR2006			
DIMENSIONS: mm		TOLERANCES UNLESS OTHERWISE SPECIFIED: 0 PLC ± 1 PLC ±0.13 2 PLC ±0.08 3 PLC ± 4 PLC ± ANGLES ±1° FINISH		NAME 10 POSITION, CABLE COLLET STRAIGHT PLUG ASSEMBLY 0 AND 80 DEGREE KEYING	
		PRODUCT SPEC 108-2249 APPLICATION SPEC 114-13184		SIZE A2 CAGE CODE 00779 DRAWING NO. 1877848 RESTRICTED TO -	
MATERIAL		WEIGHT		SCALE 4:1 SHEET 2 OF 3 REV B3	
		CUSTOMER DRAWING			

THIS DRAWING IS UNPUBLISHED. RELEASED FOR PUBLICATION 20
 © COPYRIGHT 20 BY ALL RIGHTS RESERVED.

LOC	DIST	REVISIONS					
		P	LTR	DESCRIPTION	DATE	DWN	APVD
AD	00	-		SEE SHEET 1	-	-	-

Ø 2.7-Ø 3.9	BLACK	GRAY	80°	8-1877848-4
Ø 4.0-Ø 5.2	BLACK	GRAY	80°	8-1877848-3
Ø 5.3-Ø 6.5	BLACK	GRAY	80°	8-1877848-2
Ø 2.7-Ø 3.9	BLACK	GRAY	0°	8-1877848-1
Ø 4.0-Ø 5.2	BLACK	GRAY	0°	8-1877848-0
Ø 5.3-Ø 6.5	BLACK	GRAY	0°	7-1877848-9
Ø 2.7-Ø 3.9	GRAY	BLACK	80°	7-1877848-8
Ø 4.0-Ø 5.2	GRAY	BLACK	80°	7-1877848-7
Ø 5.3-Ø 6.5	GRAY	BLACK	80°	7-1877848-6
Ø 2.7-Ø 3.9	GRAY	BLACK	0°	7-1877848-5
Ø 4.0-Ø 5.2	GRAY	BLACK	0°	7-1877848-4
Ø 5.3-Ø 6.5	GRAY	BLACK	0°	7-1877848-3
CABLE RANGE	COLLET NUT COLOR	LATCH HOUSING COLOR	KEYING	PART NO.
PART NUMBERS 73 THRU 84				

THIS DRAWING IS A CONTROLLED DOCUMENT.		DWN K. MILLER 09MAR2006	STE TE Connectivity	
		CHK L. BREKOSKY 09MAR2006		
DIMENSIONS: mm	TOLERANCES UNLESS OTHERWISE SPECIFIED:	APVD -	NAME 10 POSITION, CABLE COLLET STRAIGHT PLUG ASSEMBLY 0 AND 80 DEGREE KEYING	
	0 PLC ±-	PRODUCT SPEC 108-2249	RESTRICTED TO -	
	1 PLC ±0.13	APPLICATION SPEC 114-13184	SIZE A2	CAGE CODE 00779
MATERIAL	FINISH	WEIGHT -	DRAWING NO. C-1877848	SCALE 4:1
CUSTOMER DRAWING			SHEET 3	OF 3
			REV B.3	

Mouser Electronics

Authorized Distributor

Click to View Pricing, Inventory, Delivery & Lifecycle Information:

[TE Connectivity:](#)

[4-1877848-7](#)