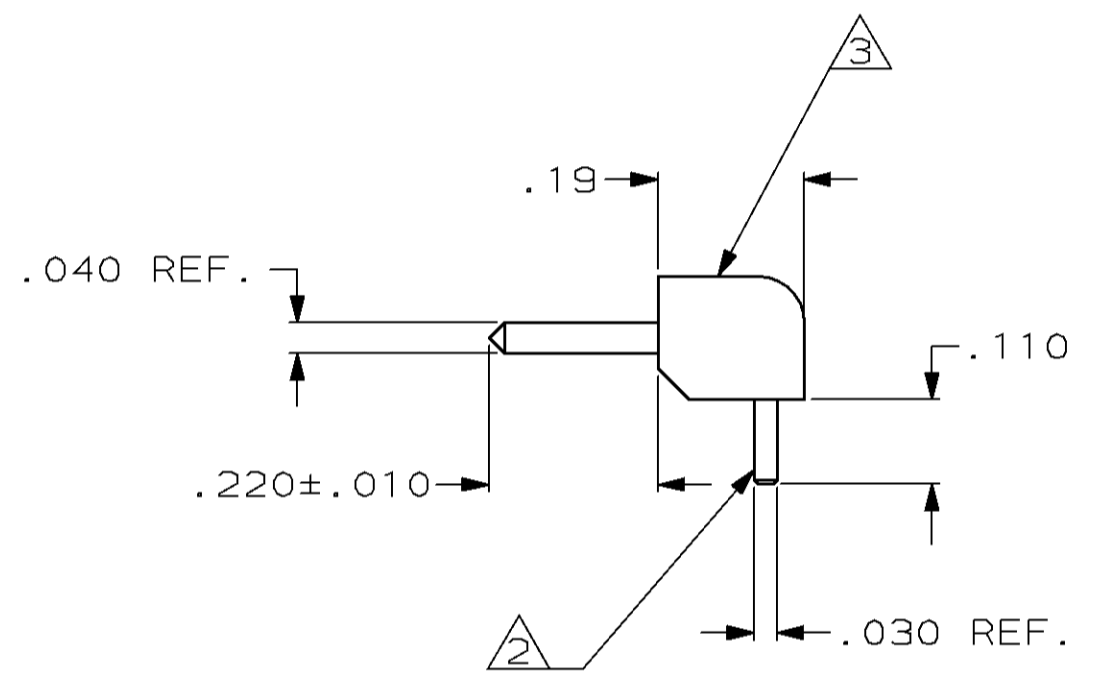
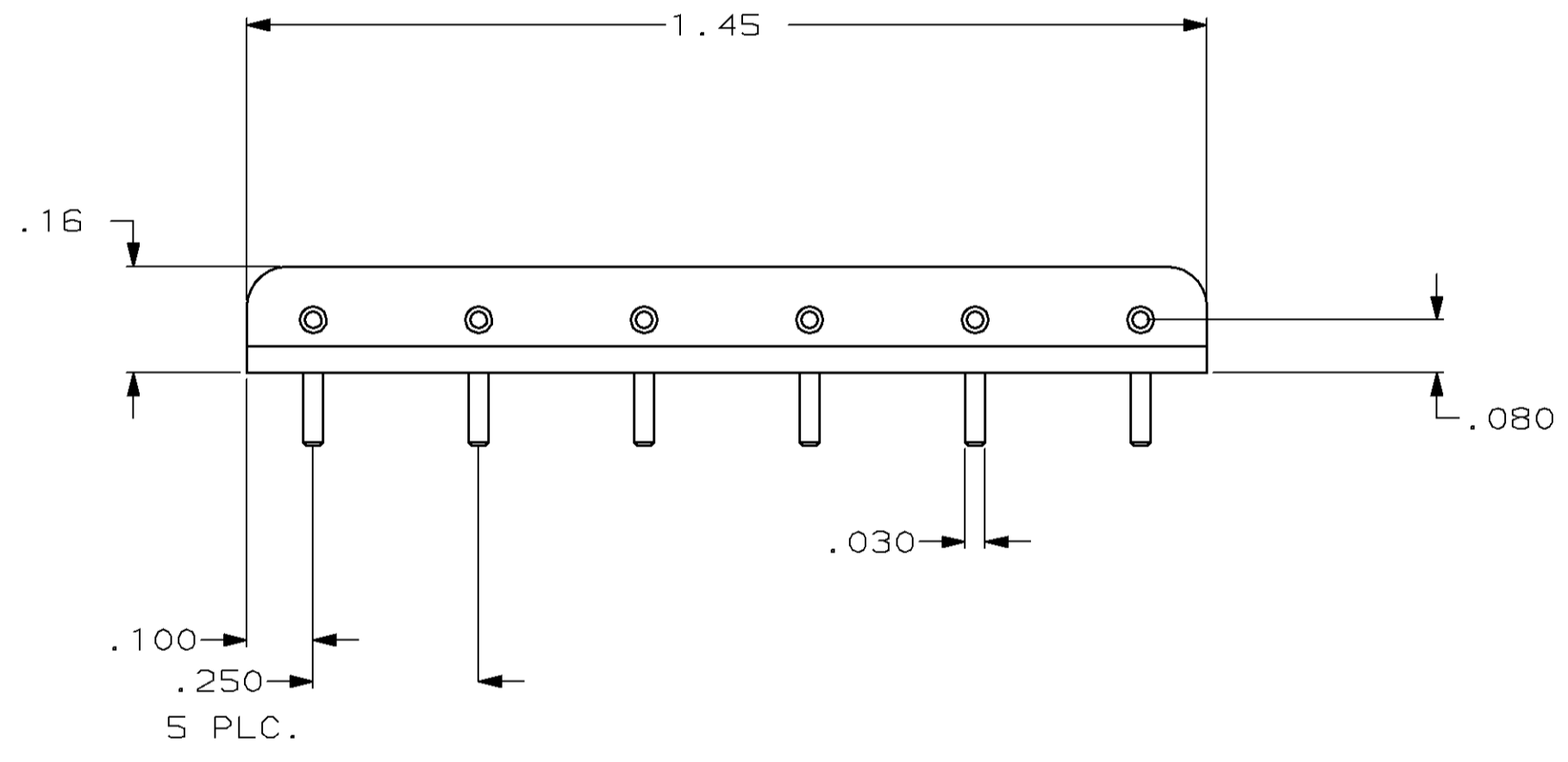


THIS DRAWING IS UNPUBLISHED. RELEASED FOR PUBLICATION, 19 .  
 © COPYRIGHT 19 BY AMP INCORPORATED. ALL INTERNATIONAL RIGHTS RESERVED.

Loc	DIST	P	F	REVISIONS				
				ZONE	LTR	DESCRIPTION	DATE	APPD
DF	A1			C		REVISED PER ECN DF-4405	DES	5-29-91
				D		REV PER ECN DF-5896	ETG	02-18-92
				E		REV PER 0600-6182-97 TT	22MAY98	RK

- △ MATERIAL: GLASS FILLED THERMOPLASTIC VO RATED PER MIL-M-24519. COLOR: BLACK
- △ THIS END SOLDER DIPPED IN ACCORDANCE WITH MIL STD 202, METHOD 208.
- △ CUST P/N, "AMP" AND DATE CODE LOCATED IN THIS APPROXIMATE AREA.



---	---	△ 1	447464-2
11750893	447464-2	△ 2 △ 3	447464-1
CUSTOMER PART NO	MATERIAL	PART NO	
DR 8-5-90 D.DUDUKOVICH	<b>AMP</b> AMP Incorporated Harrisburg, PA 17105-3608	NAME FUZE SYSTEM CONNECTOR HEADER, RIGHT ANGLE (6 POSITION)	
CHK 6-3-91 J.SCHOLZ			
APPD 6-3-91 J.SCHOLZ			
MATERIAL	APPD 6-3-91 C.NIKOLOFF	SIZE	CAGE CODE
△ 1	PRODUCT SPEC	③	00779
FINISH	APPLICATION SPEC	SCALE	DRAWING NO
-	-	4:1	447464
WEIGHT	-	SHEET	1 OF 1

# Mouser Electronics

Authorized Distributor

Click to View Pricing, Inventory, Delivery & Lifecycle Information:

[TE Connectivity:](#)

[447464-1](#)